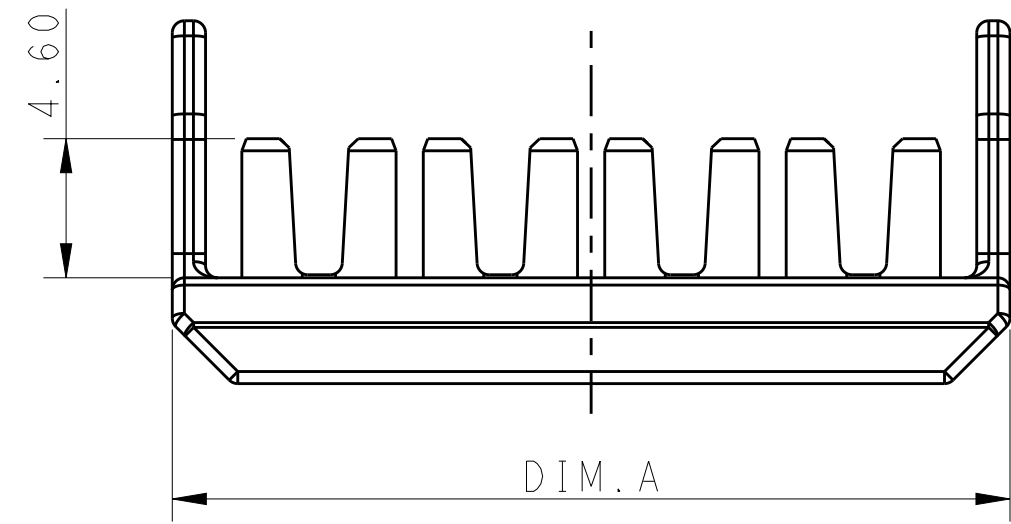
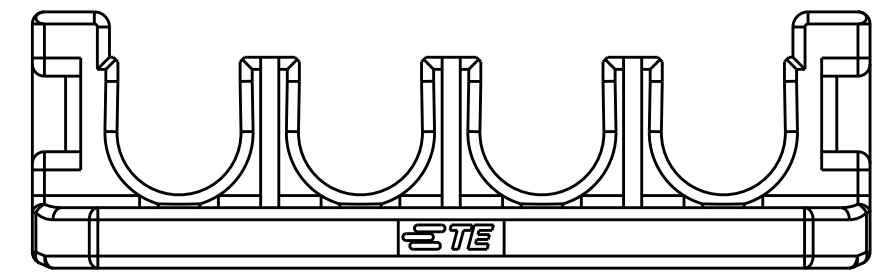
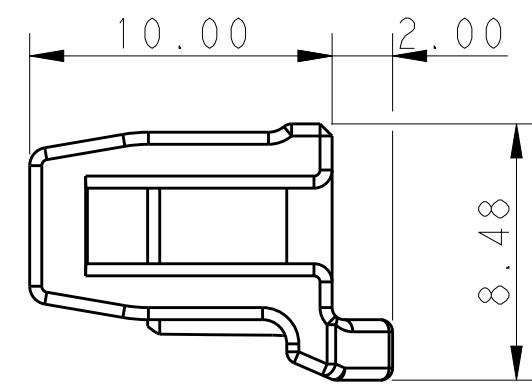
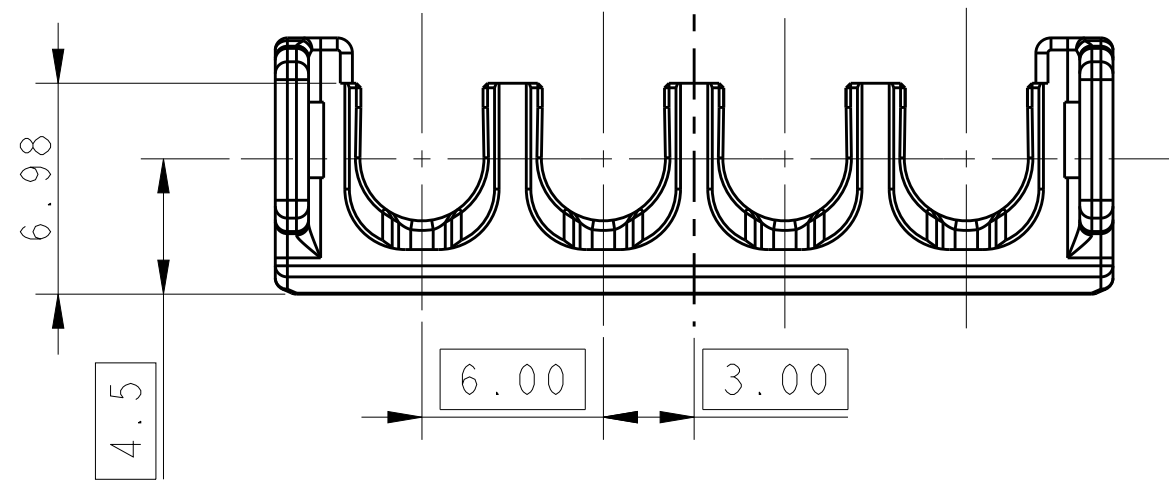
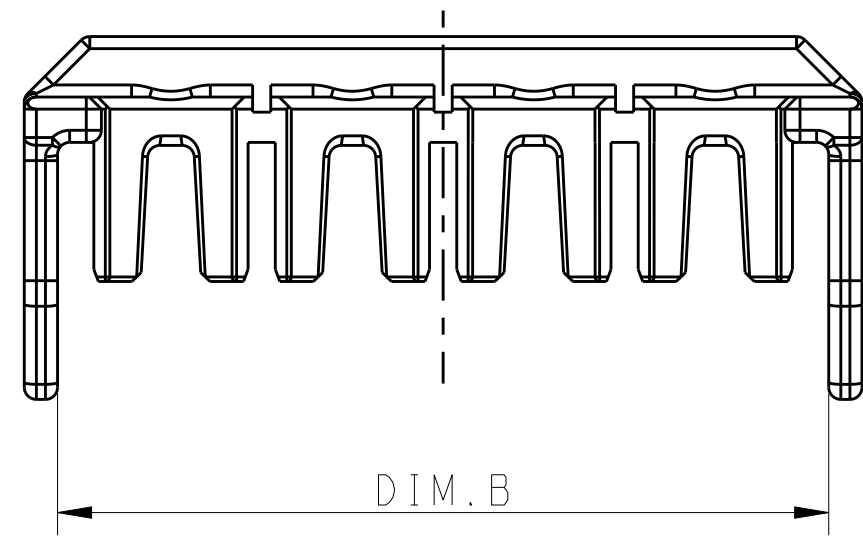


THIS DRAWING IS UNPUBLISHED. RELEASED FOR PUBLICATION 20  
 © COPYRIGHT 20 BY - ALL RIGHTS RESERVED.

LOC		DIST		REVISIONS			
P	LTR	DESCRIPTION	DATE	DWN	APVD		
	B1	REVISED PER ECR-18-004190	26MAR2018	BW	GJ		
	B2	REVISED PER ECR-18-019428	27DEC2018	BKW	GJ		
	C	REVISED PER ECR-19-012412	13SEP2019	BKW	DS		



POS.	DIM.A	DIM.B
1*5	33.70	31.5
1*4	27.70	25.5
1*3	21.70	19.5
1*2	15.70	13.5

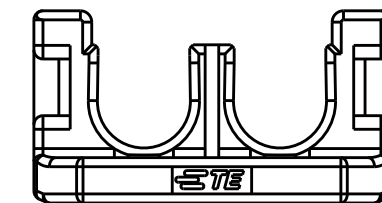
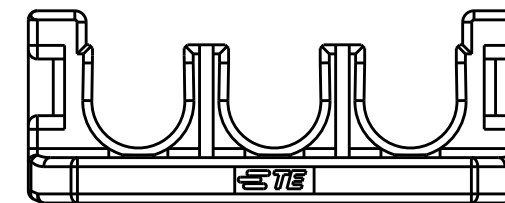
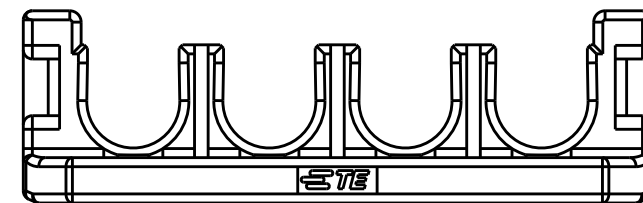
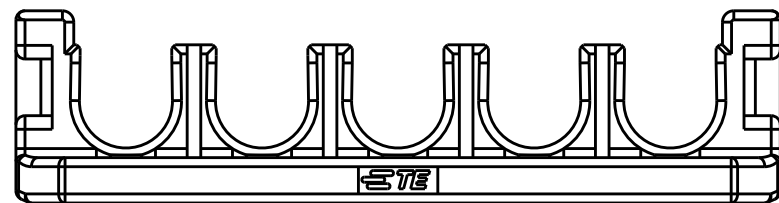
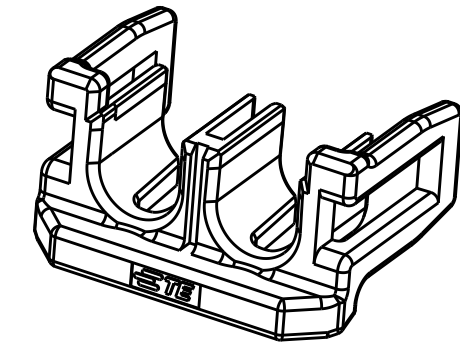
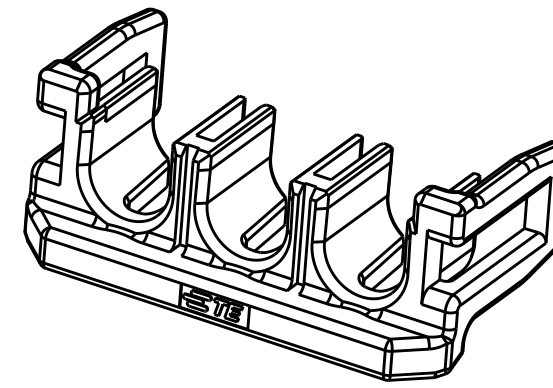
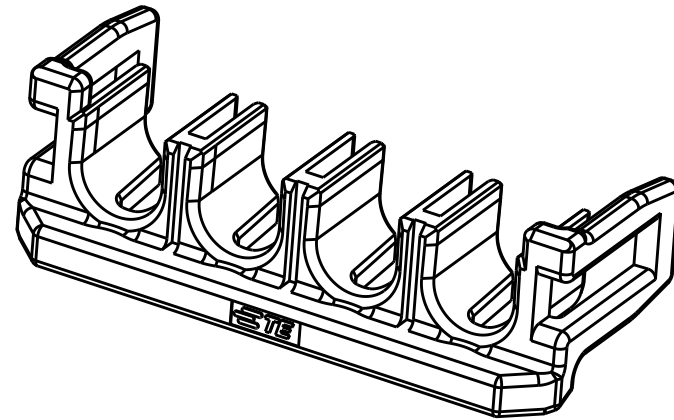
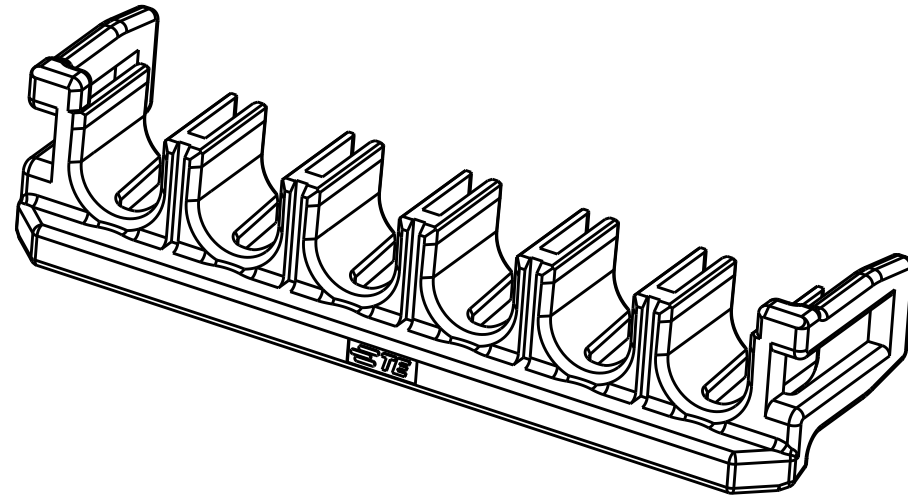
NOTE

- ① HIGH TEMP VERSIONS ARE RATED 150°C MAX AND ARE RECOMMENDED FOR USE WITH HIGH TEMP AND GLOW WIRE RATED HOUSINGS.
- ② HOT WIRE IGNITION(HWI) VERSIONS ARE MOLDED IN A RESIN THAT COMPLIES WITH TE PENDING HOT WIRE IGNITION TEST AND ARE RECOMMENDED FOR USE WITH HWI HOUSINGS THAT ALSO COMPLY.
- ③ STANDARD TEMPERATURE VERSIONS, RATED 140°C MAX ARE RECOMMENDED FOR USE WITH STANDARD TEMP AND GLOW WIRE RATED HOUSINGS.
- 4. MATING CONN, P/N  
 CAP HSG: \*-1971\*7\*-\*/\*-22322\*\*\*-\*/\*-22323\*\*\*-  
 PLUG HSG: \*-1971\*7\*-\*/\*-22322\*\*\*-\*/\*-22323\*\*\*-\*
- 5. FLAMMABILITY RATING: UL94V-0
- ⑥ PRELIMINARY - NOT RELEASED FOR PRODUCTION
- 7. THIS PRODUCT HAS NOT PASSED VALIDATION TESTING

THIS DRAWING IS A CONTROLLED DOCUMENT.		DWN TOMMY WU 09JUL2012	<b>STC</b> TE Connectivity	
DIMENSIONS: mm		CHK HAPYE WU 09JUL2012		
TOLERANCES UNLESS OTHERWISE SPECIFIED:		APVD YUHONG MAO 09JUL2012	NAME TPA, SINGLE ROW POWER TRIPLE LOCK	
0 PLC ±		PRODUCT SPEC 108-106118	SIZE CAGE CODE DRAWING NO RESTRICTED TO	
1 PLC ±0.35		APPLICATION SPEC 114-106118	A200779 C-1971777	
2 PLC ±0.25		WEIGHT -	SCALE - SHEET 1 OF 2 REV C	
3 PLC ±		MATERIAL SEE TABLE	Customer Drawing	
4 PLC ±		FINISH		
ANGLES ±				

THIS DRAWING IS UNPUBLISHED. RELEASED FOR PUBLICATION 20  
 © COPYRIGHT 20 BY - ALL RIGHTS RESERVED.

LOC		DIST		REVISIONS			
P	LTR	DESCRIPTION	DATE	DWN	APVD		
-	-	SEE SHEET 1	-	-	-		



1\*5 POSITIONS

1\*4 POSITIONS

1\*3 POSITIONS

1\*2 POSITIONS

COLOR	MATERIAL	TYPE	POSITIONS	P/N
RED	PBT GF	STANDARD TEMP $\Delta_3$	1*5	$\Delta_6$ 4-1971777-5
			1*4	$\Delta_6$ 4-1971777-4
			1*3	$\Delta_6$ 4-1971777-3
			1*2	$\Delta_6$ 4-1971777-2
BLACK	PBT GF	HWI $\Delta_2$	1*2	3-1971777-2
NATURAL	PBT GF	HWI $\Delta_2$	1*5	2-1971777-5
			1*4	2-1971777-4
			1*3	2-1971777-3
			1*2	2-1971777-2
BLACK	NYLON PA66	HIGH TEMP $\Delta_1$	1*5	1971777-5
			1*4	1971777-4
			1*3	1971777-3
			1*2	1971777-2

THIS DRAWING IS A CONTROLLED DOCUMENT.		DWN TOMMY WU 09JUL2012	TE Connectivity	
DIMENSIONS: mm		CHK HAPYE WU 09JUL2012		
TOLERANCES UNLESS OTHERWISE SPECIFIED:		APVD YUHONG MAO 09JUL2012	NAME TPA, SINGLE ROW POWER TRIPLE LOCK	
0 PLC ± 1 PLC ±0.35 2 PLC ±0.25 3 PLC ± 4 PLC ± ANGLES ± FINISH ±		PRODUCT SPEC 108-106118	RESTRICTED TO	
MATERIAL SEE TABLE		APPLICATION SPEC 114-106118	SIZE A2	CAGE CODE 00779
		WEIGHT -	DRAWING NO C-1971777	
		Customer Drawing	SCALE -	SHEET 2 OF 2 REV C

单击下面可查看定价，库存，交付和生命周期等信息

[>>TE Connectivity\(泰科\)](#)