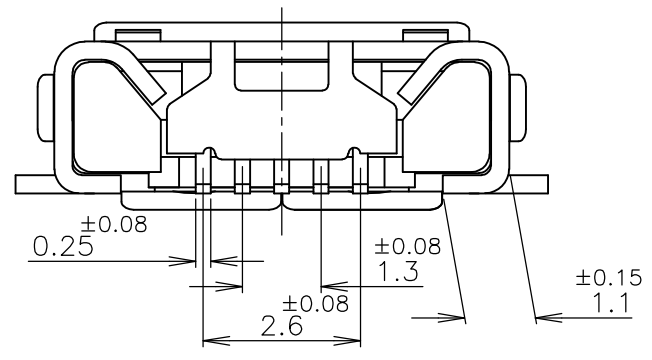
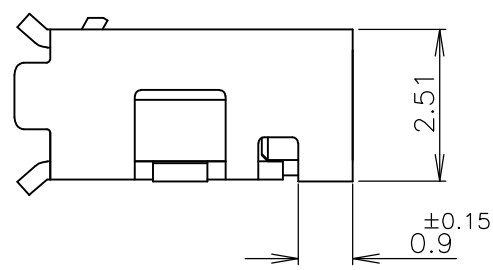
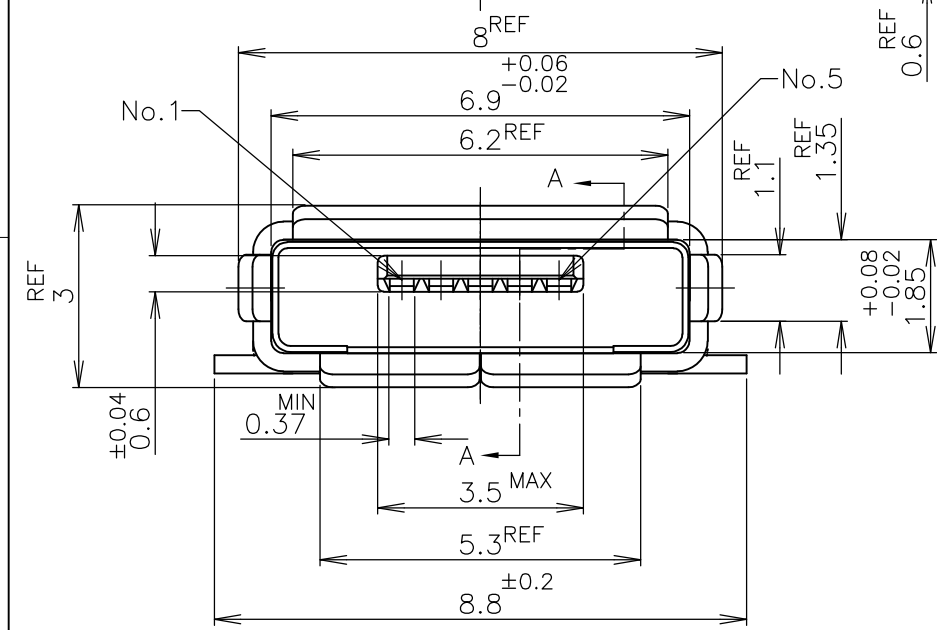
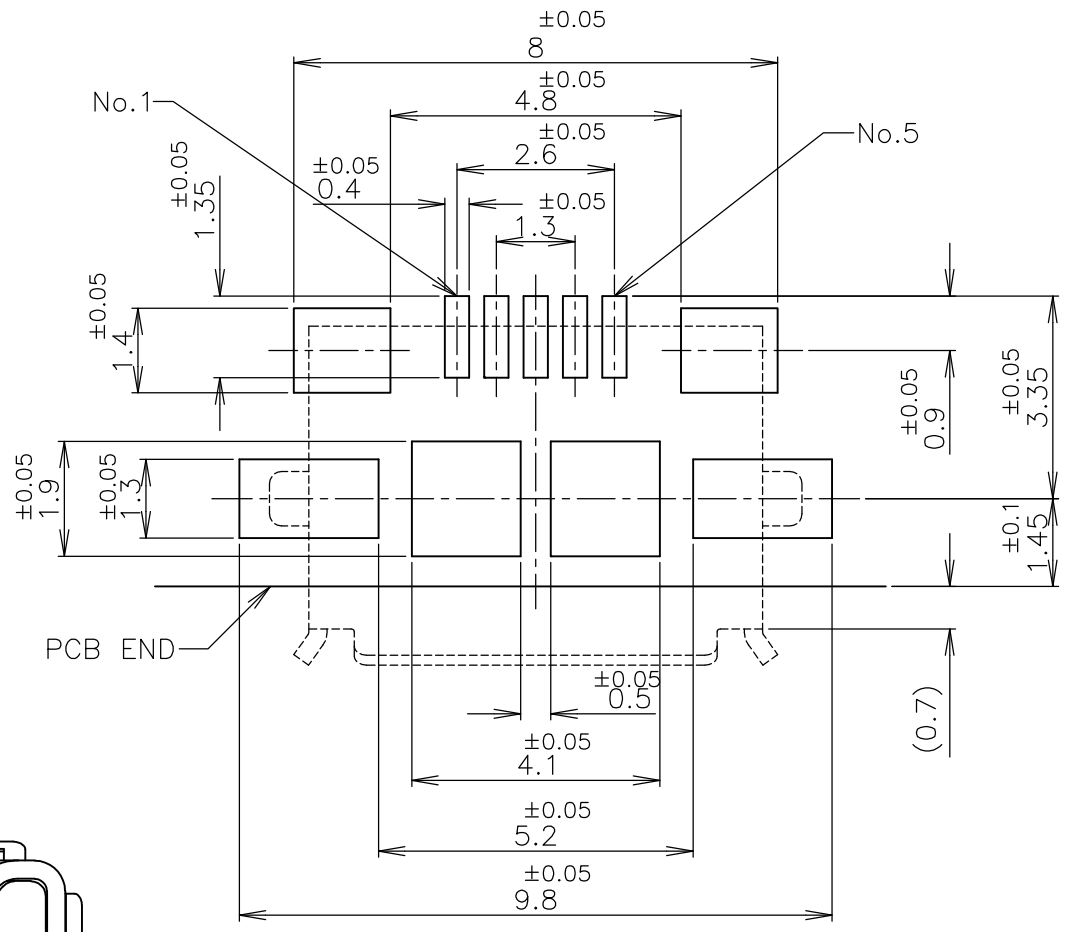
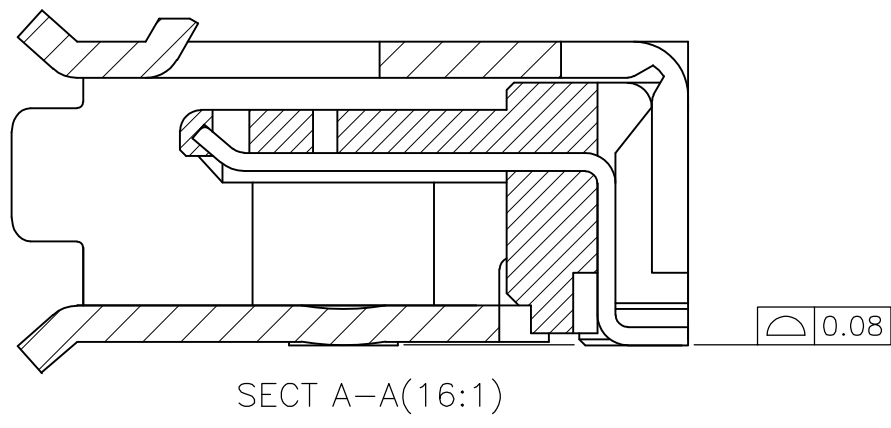
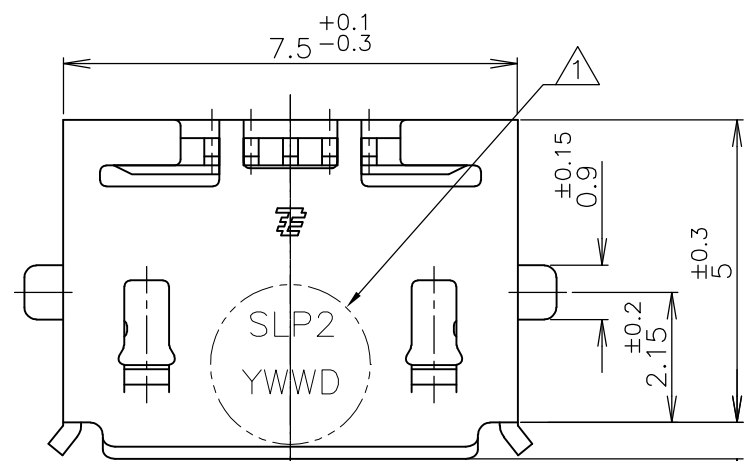


THIS DRAWING IS UNPUBLISHED. RELEASED FOR PUBLICATION JAN , 2007.
 © COPYRIGHT 2007 By - ALL RIGHTS RESERVED.

LOC	DIST	REVISIONS					
J	/	P	LTR	DESCRIPTION	DATE	DWN	APVD
		D2		REVISED PER ECO-15-009877	03AUG15	AP	JH



- 1. DATE CODE AND VERSION MARKING
- 2. OVERALL TOLERANCE: ±0.2
- 3. MATERIAL HOUSING : THERMOPLASTIC RESIN UL94V-0
CONTACT : COPPER ALLOY
SHELL : STAINLESS STEEL
- 4. FINISH CONTACT : Ni UNDER PL
Au PL AT
SHELL : Ni UNDER PL
Sn PL

THIS DRAWING IS A CONTROLLED DOCUMENT.		DWN J.TSUJI 06AUG2007	STE TE Connectivity	
DIMENSIONS: 单位: 耗 MM		CHK T.KUSUHARA 07AUG2007		
TOLERANCES UNLESS OTHERWISE SPECIFIED: 一般公差		APVD T.KUSUHARA 07AUG2007	NAME 名称	
0 PLC ± -		PRODUCT SPEC 製品規格	MICRO USB RECEPTACLE STANDARD TYPE AB ASSY	
1 PLC ± -		APPLICATION SPEC 取付適用規格	SIZE A3	CAGE CODE 00779
2 PLC ± -		WEIGHT	DRAWING NO 番号 C-1981584	RESTRICTED TO
3 PLC ± -			SCALE 尺度 8:1	SHEET 1 OF 2
4 PLC ± -				REV D2
ANGLES ± 10				
FINISH 仕上				
1981584-1	MATERIAL 材料	CUSTOMER DRAWING		
PART NUMBER				

4

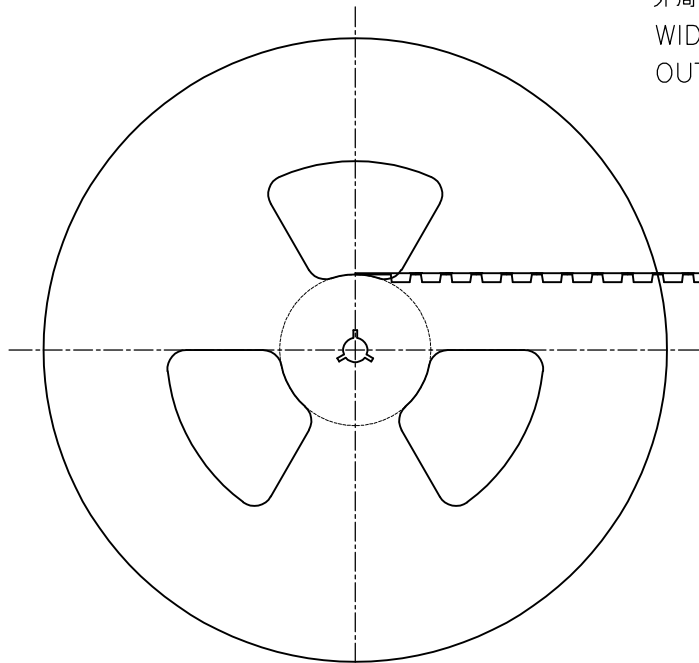
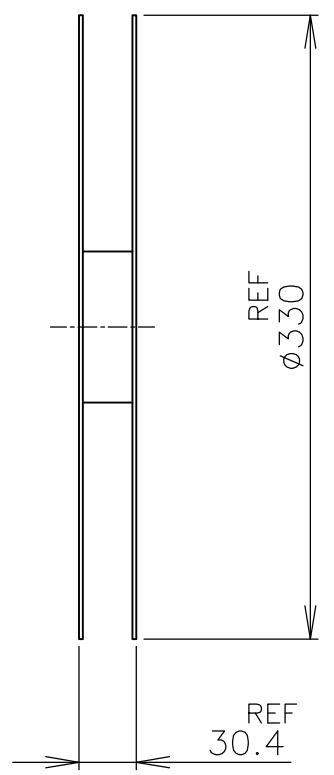
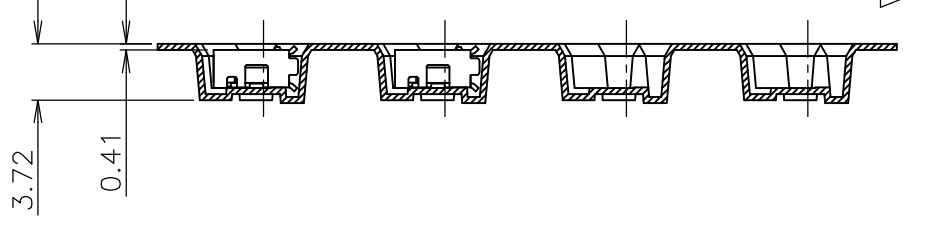
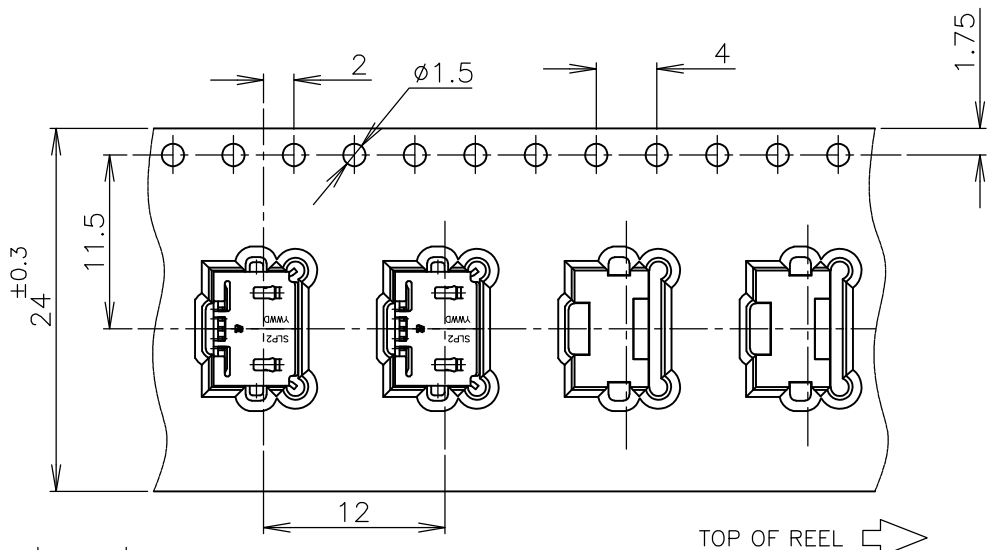
3

2

1

THIS DRAWING IS UNPUBLISHED. RELEASED FOR PUBLICATION JAN , 2007.
 © COPYRIGHT 2007 By - ALL RIGHTS RESERVED.

LOC	DIST	REVISIONS					
J	/	P	LTR	DESCRIPTION	DATE	DWN	APVD
		-		SEE SHEET 1	-	-	-



カバーテープリーダー部
 外周1巻
 WIDE COVER TAPE AROUND
 OUT PERIPHERY 1 TURN

剥離強度 0.1-1.3N MAX(300±10mm/min)
 PEELING STRENGTH
 剥離強度 165~180°
 PEELING ANGLE

引き出し方向
 TOP OF REEL

1000個/リール
 1000EA/REEL

HOLES
 8穴

空部
 WITHOUT CHARGE
 300mm程度
 APPROX

製品装填部
 WITH PRODUCT CHARGE

空部
 WITHOUT CHARGE
 600mm程度
 APPROX

THIS DRAWING IS A CONTROLLED DOCUMENT.		DWN	TE Connectivity		
DIMENSIONS: 単位: 耗 MM		CHK	NAME 名称		
TOLERANCES UNLESS OTHERWISE SPECIFIED: 一般公差		APVD	MICRO USB RECEPTACLE STANDARD TYPE AB ASSY		
0 PLC ±-		PRODUCT SPEC 製品規格	SIZE	CAGE CODE	DRAWING NO 番号
1 PLC ±-		APPLICATION SPEC 取付適用規格	A3	00779	C-1981584
2 PLC ±-		WEIGHT	RESTRICTED TO		
3 PLC ±-			-		
4 PLC ±-			SCALE 2:1		
ANGLES ±-			SHEET 2 OF 2		
MATERIAL 材料	FINISH 仕上	CUSTOMER DRAWING		REV D2	

单击下面可查看定价，库存，交付和生命周期等信息

[>>TE Connectivity\(泰科\)](#)