

4

3

2

1

THIS DRAWING IS UNPUBLISHED.

RELEASED FOR PUBLICATION

MAY, 2008

© COPYRIGHT 2008

BY Tyco Electronics Japan G.K.

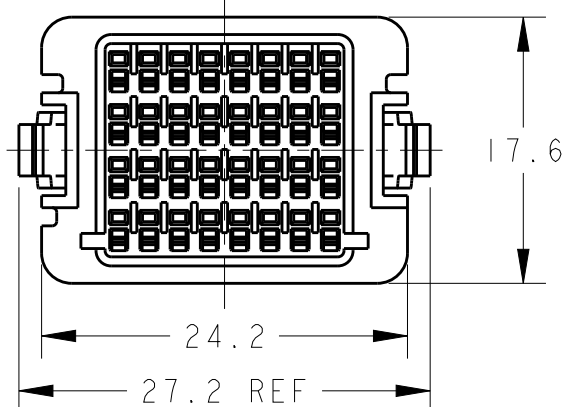
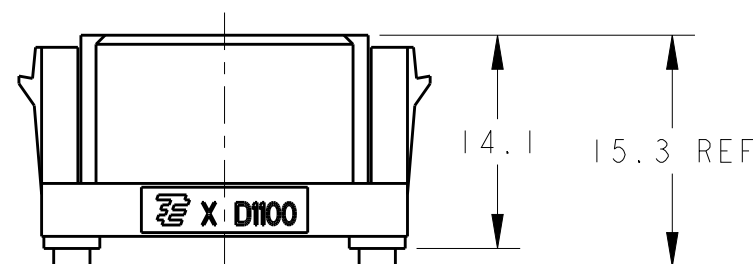
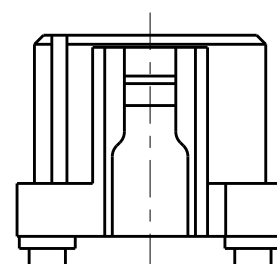
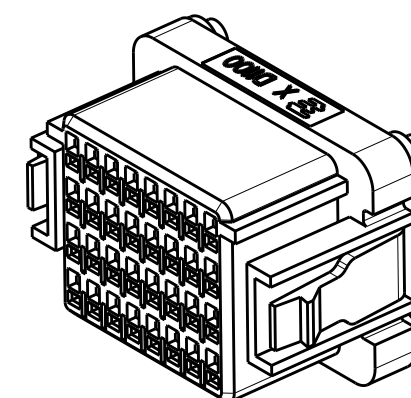
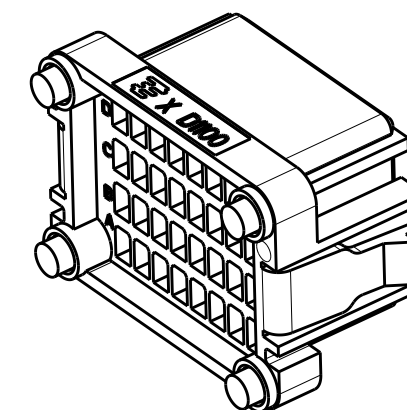
ALL RIGHTS RESERVED.

LOC
JDIST
-

REVISIONS

P	LTR	DESCRIPTION	DATE	DWN	APVD
B		REVISED ECR-12-006355	11APR2012	H.O	N.Y
C		REVISED ECR-14-019215	29JAN2015	K.R	N.Y

- 1 : AS SHOWN

NOTE



1. MATERIAL:
HOUSING: POLYBUTYLENE TEREPHTHALATE (94V-0)
COLOR: BLACK
RUBBER: NITRILE-BUTADIENE RUBBER
COLOR: BLACK

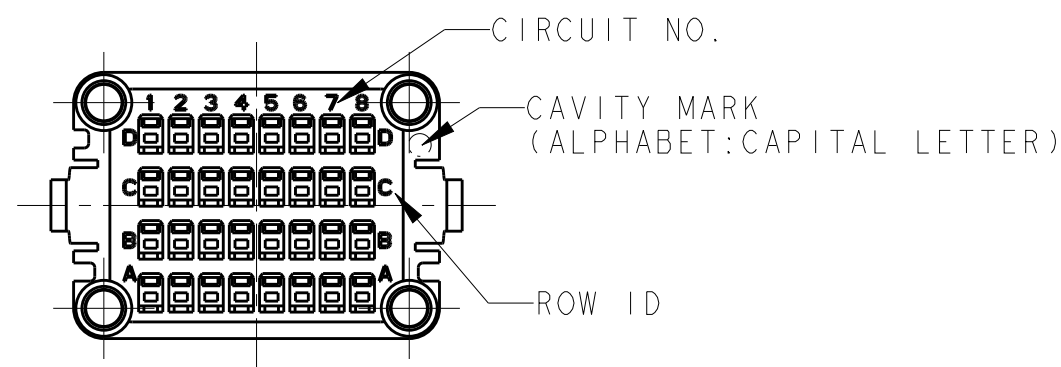
2. THE SHAPE, SIZE AND POSITION OF THE CHARACTER SHOW THE OUTLINE. THEY DON'T SHOW DETAILS.

注記





1. 材料:
ハウジング: ポリブチレンテレフタレート (94V-0)
色: 黒
ゴム: ニトリルブタジエンゴム
色: 黒

2. 文字の形状、大きさ、および位置については、大略を示すものであり、詳細を示すものではありません。



CIRCUIT NO.
CAVITY MARK (ALPHABET: CAPITAL LETTER)
ROW ID

THIS DRAWING IS A CONTROLLED DOCUMENT.		DWN T. SAMI 22OCT2007	 TE Connectivity													
DIMENSIONS: mm		CHK A. OISHI 13MAY2008														
TOLERANCES UNLESS OTHERWISE SPECIFIED: ± 0.3		APVD A. OISHI 13MAY2008	NAME MULTIPLE ENCLOSURE CONN. MOLD TYPE REC HSG. 32POS													
<table border="1"> <tr><td>0 PLC</td><td>±</td></tr> <tr><td>1 PLC</td><td>±0.5</td></tr> <tr><td>2 PLC</td><td>±0.13</td></tr> <tr><td>3 PLC</td><td>±0.013</td></tr> <tr><td>4 PLC</td><td>±0.000J</td></tr> <tr><td>ANGLES</td><td>±3</td></tr> </table>		0 PLC	±	1 PLC	±0.5	2 PLC	±0.13	3 PLC	±0.013	4 PLC	±0.000J	ANGLES	±3	PRODUCT SPEC 108-78566	SIZE A3	
0 PLC	±															
1 PLC	±0.5															
2 PLC	±0.13															
3 PLC	±0.013															
4 PLC	±0.000J															
ANGLES	±3															
MATERIAL		APPLICATION SPEC 411-78293	CAGE CODE 00779	DRAWING NO C-1981921												
FINISH -		WEIGHT 3.5 g	RESTRICTED TO -													
		CUSTOMER DRAWING		SCALE 2:1												
		SHEET 1		OF 1												
				REV C												

1470-19 (3/11)

Downloaded From Onevac.com

单击下面可查看定价，库存，交付和生命周期等信息

[>>TE Connectivity\(泰科\)](#)