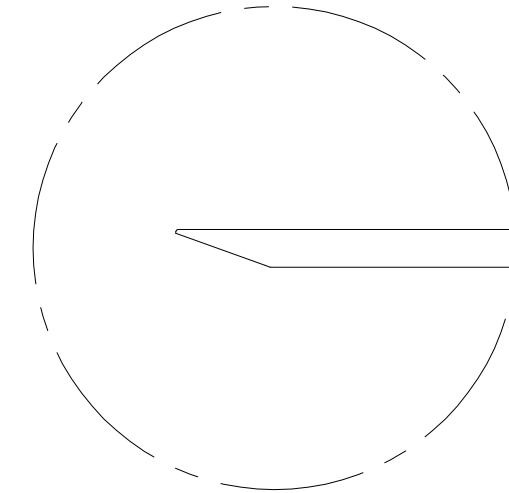
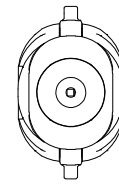
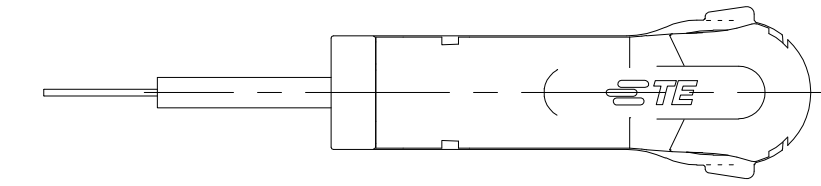


THIS DRAWING IS UNPUBLISHED.

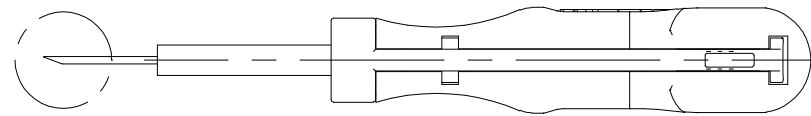
RELEASED FOR PUBLICATION

© COPYRIGHT - BY TYCO ELECTRONICS CORPORATION. ALL INTERNATIONAL RIGHTS RESERVED.

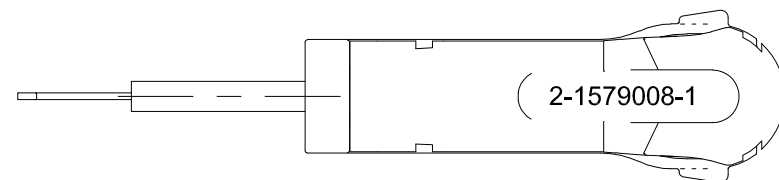
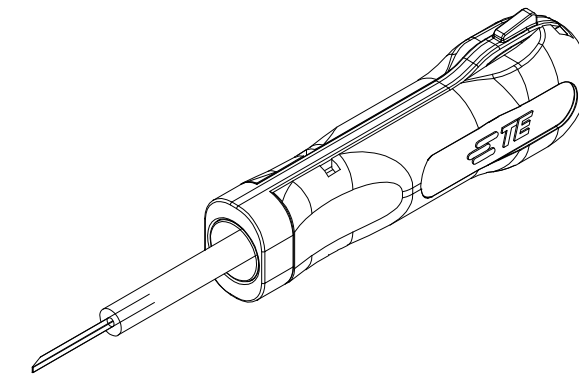
LOC		DIST		REVISIONS			
P	LTR	DESCRIPTION		DATE	DWN	APVD	
	A1	ECR-17-009675		04JUL17	MG	BM	



B



B



2-1579008-1

THIS DRAWING IS A CONTROLLED DOCUMENT.		DWN	06.11.2006		STE TE Connectivity	
		CHK	-			
DIMENSIONS:		TOLERANCES UNLESS OTHERWISE SPECIFIED:		NAME		
mm				EXTRACTION TOOL		
		0 PLC	± -	PRODUCT SPEC		
		1 PLC	± -	-		
		2 PLC	± -	APPLICATION SPEC		
		3 PLC	± -	-		
		4 PLC	± -	SIZE		
		ANGLES	± -	CAGE CODE		RESTRICTED TO
MATERIAL		FINISH		DRAWING NO		
				G-2-1579008-1		
				WEIGHT		
				0.016 kg		
				SCALE		
				1:1		
				SHEET		
				1 OF 1		
				REV		
				A1		
CUSTOMER DRAWING						

单击下面可查看定价，库存，交付和生命周期等信息

[>>TE Connectivity\(泰科\)](#)