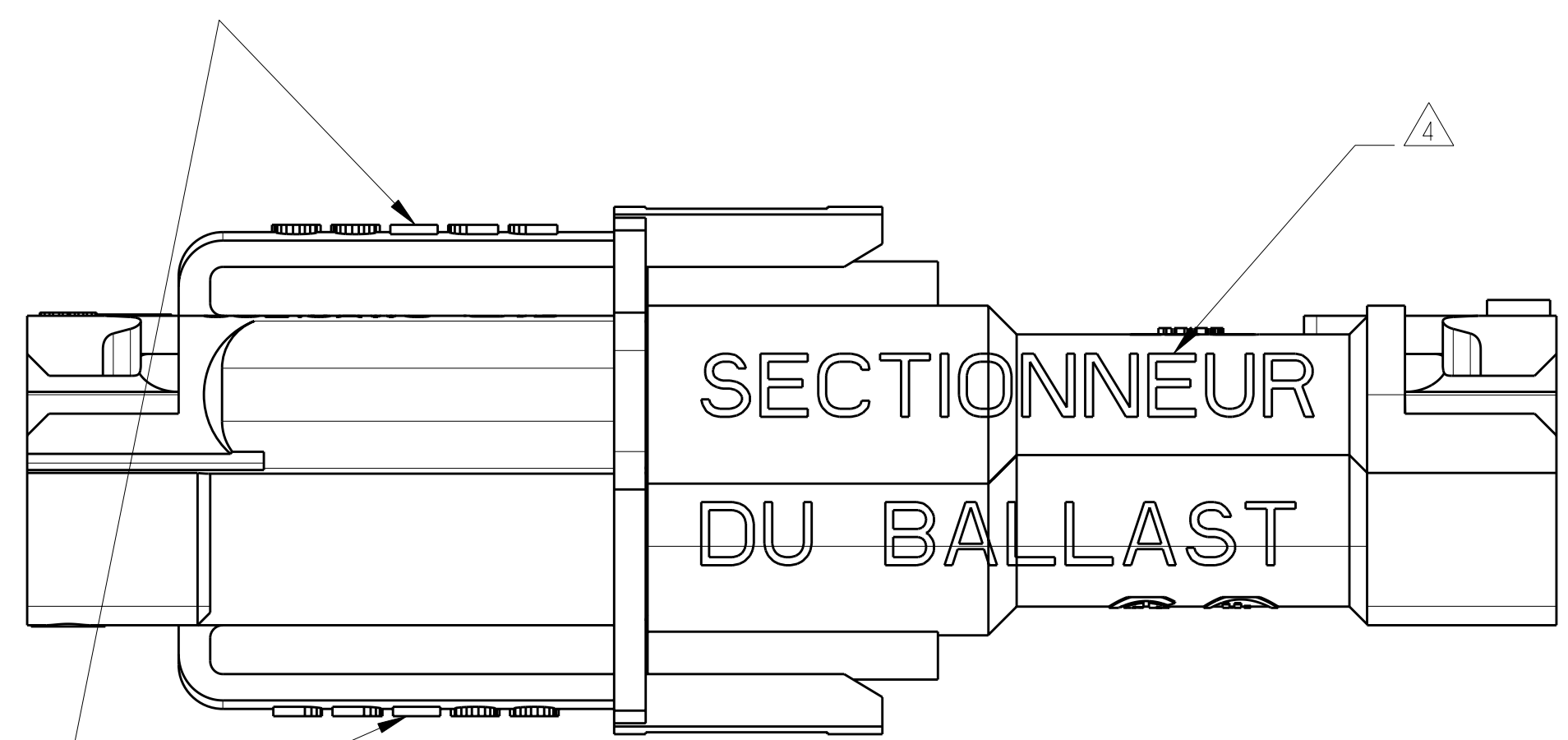
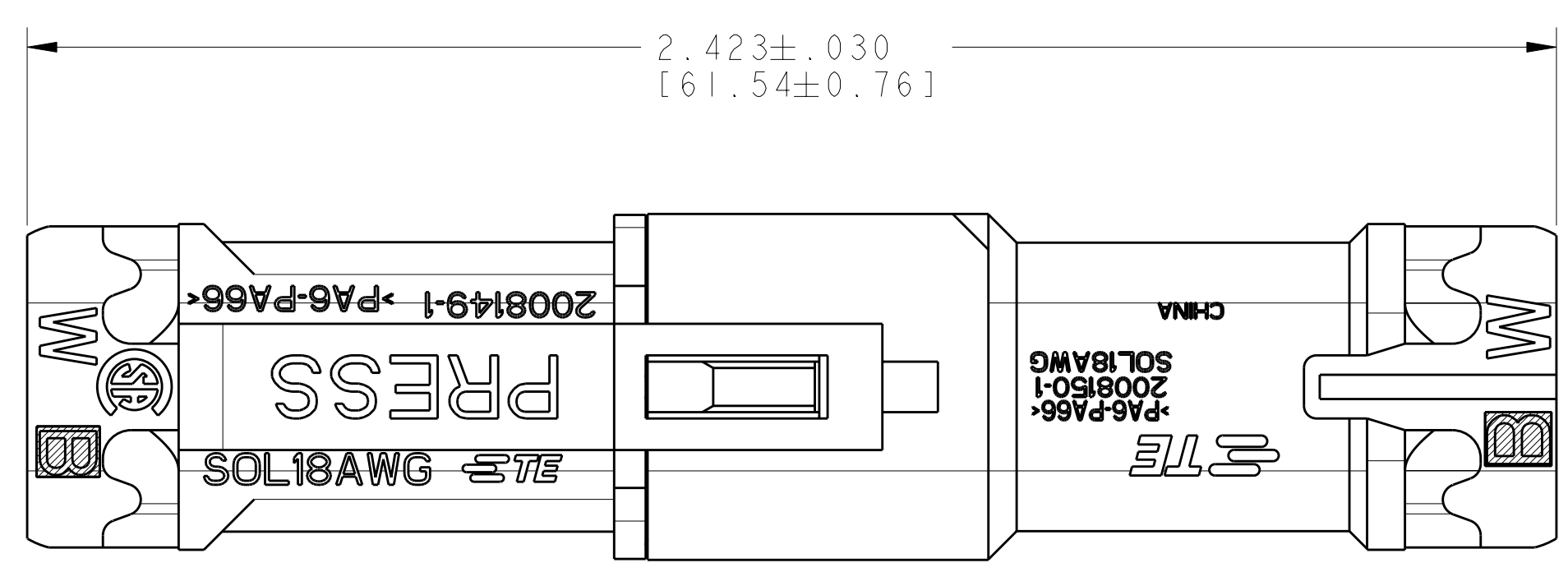
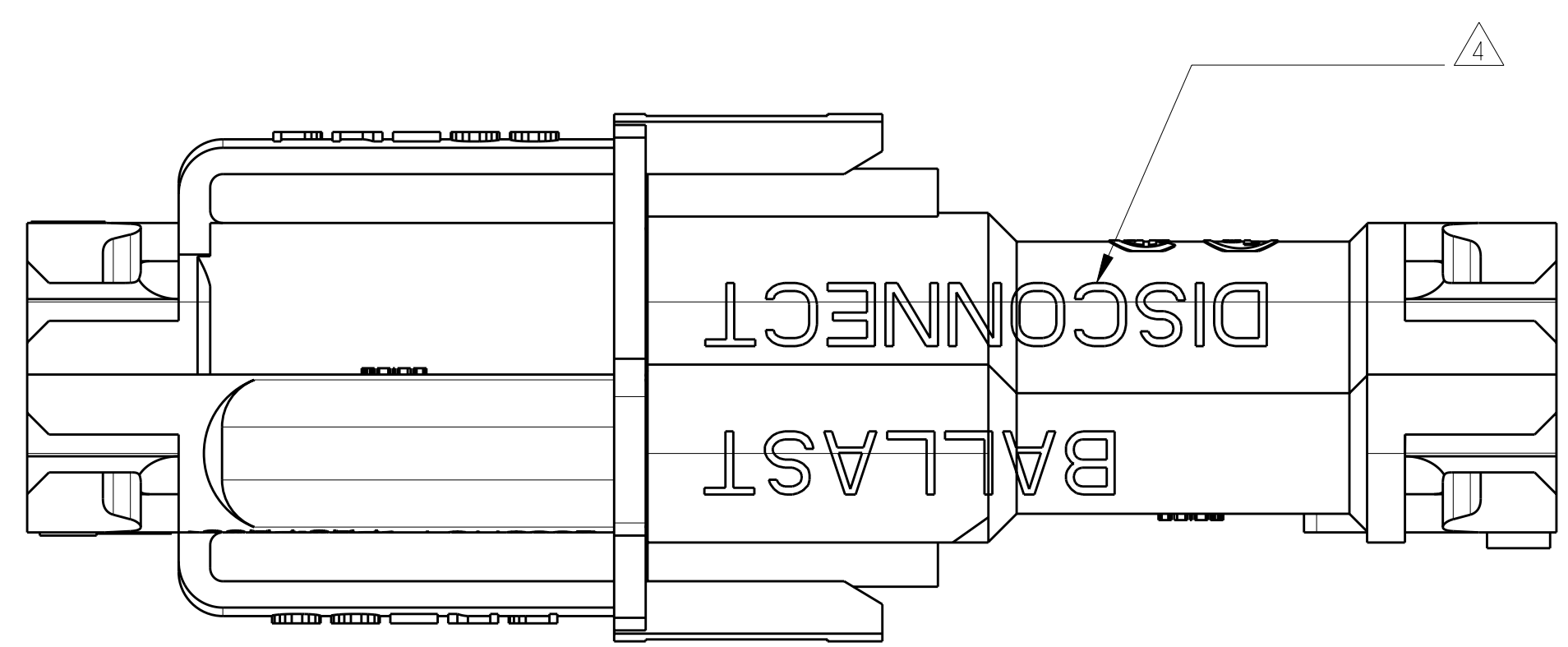
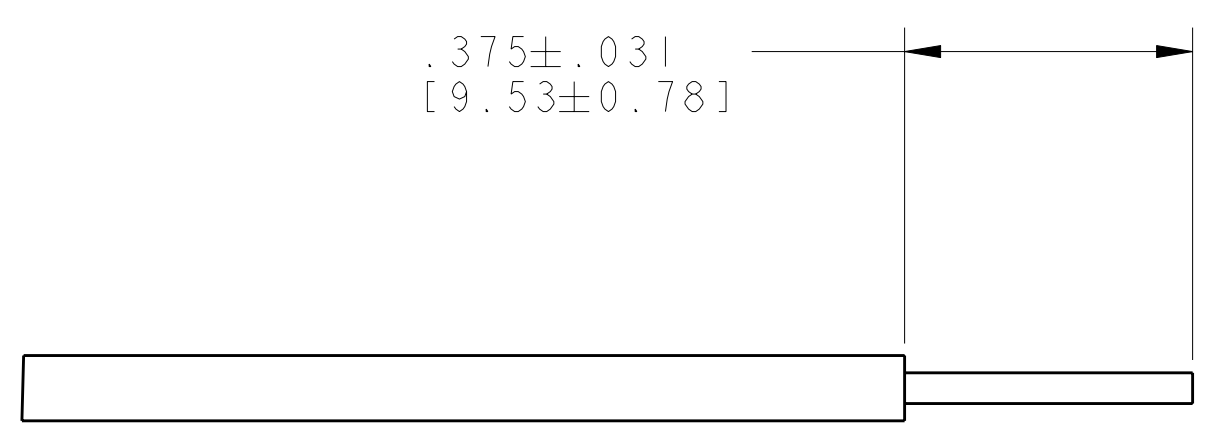


LOC	DIST	REV	DATE	BY	APPD
		B2	27FEB2009	HMR	DD
		B3	18DEC2011	HVG	DD



PRESS TO RELEASE



RECOMMENDED WIRE STRIP

△ MATERIAL:  
 HOUSINGS: POLYAMIDE, COLOR: NATURAL  
 CONTACTS: PHOSPHOR BRONZE  
 INK: BLACK

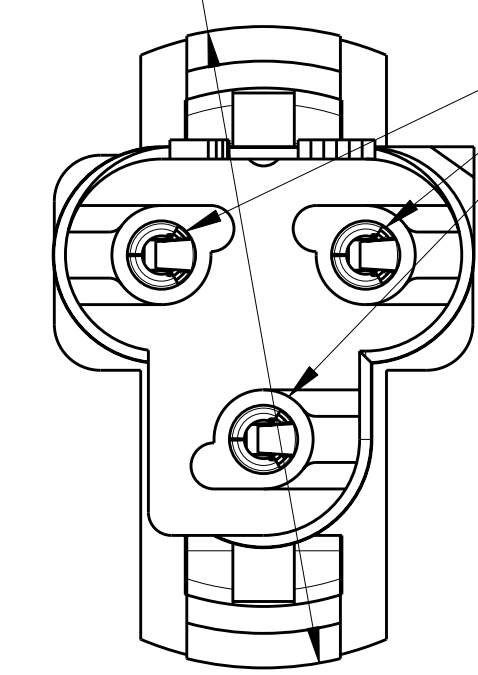
△ FINISH:  
 CONTACTS: TIN PLATED

3. SEE INSTRUCTION SHEET 408-10154

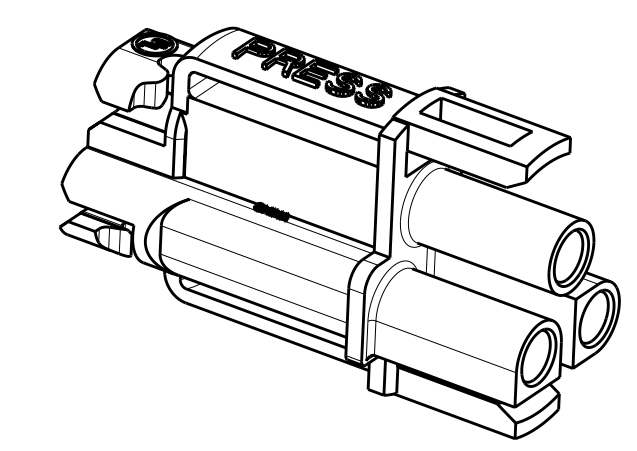
△ SIDES MAY BE REVERSED

△ MATERIAL:  
 HOUSING: POLYAMIDE, COLOR: ORANGE,  
 CONTACT: PHOS BRONZE  
 INK: BLACK

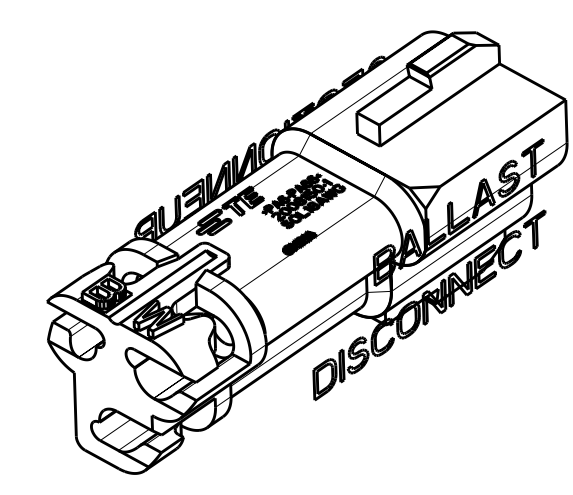
∅.835 ± 0.010  
 [21.21 ± 0.25]



ACCEPTS 18 AWG SOLID WIRE  
 WITH .086 [2.18] MAX INSULATION DIAMETER  
 BOTH CONNECTORS



PLUG CONNECTOR ASSEMBLY



RECEPTACLE CONNECTOR ASSEMBLY

△	2008152-2
△	2008152-1
MATERIAL	PART NUMBER

THIS DRAWING IS A CONTROLLED DOCUMENT.		OWN: C. DAILY 23APR2007	NAME: ASSEMBLY, MATED PAIR, 3 POSITION PLUG AND RECEPTACLE PT, LIGHT-N-LOK	
DIMENSIONS: IN		CHK: J. LANDIS 23APR2007	PRODUCT SPEC: 108-2275	
TOLERANCES UNLESS OTHERWISE SPECIFIED:		APVD:	APPLICATION SPEC: 114-13207	
0 PLC	±	SIZE: A100779	CAGE CODE: C=2008152	RESTRICTED TO: -
1 PLC	±	WEIGHT: -	SCALE: 2:1	SHEET 1 OF 1
2 PLC	±	FINISH: △	CUSTOMER DRAWING	REV: B3
3 PLC	±			
4 PLC	±			
ANGLES	±			

单击下面可查看定价，库存，交付和生命周期等信息

[>>TE Connectivity\(泰科\)](#)