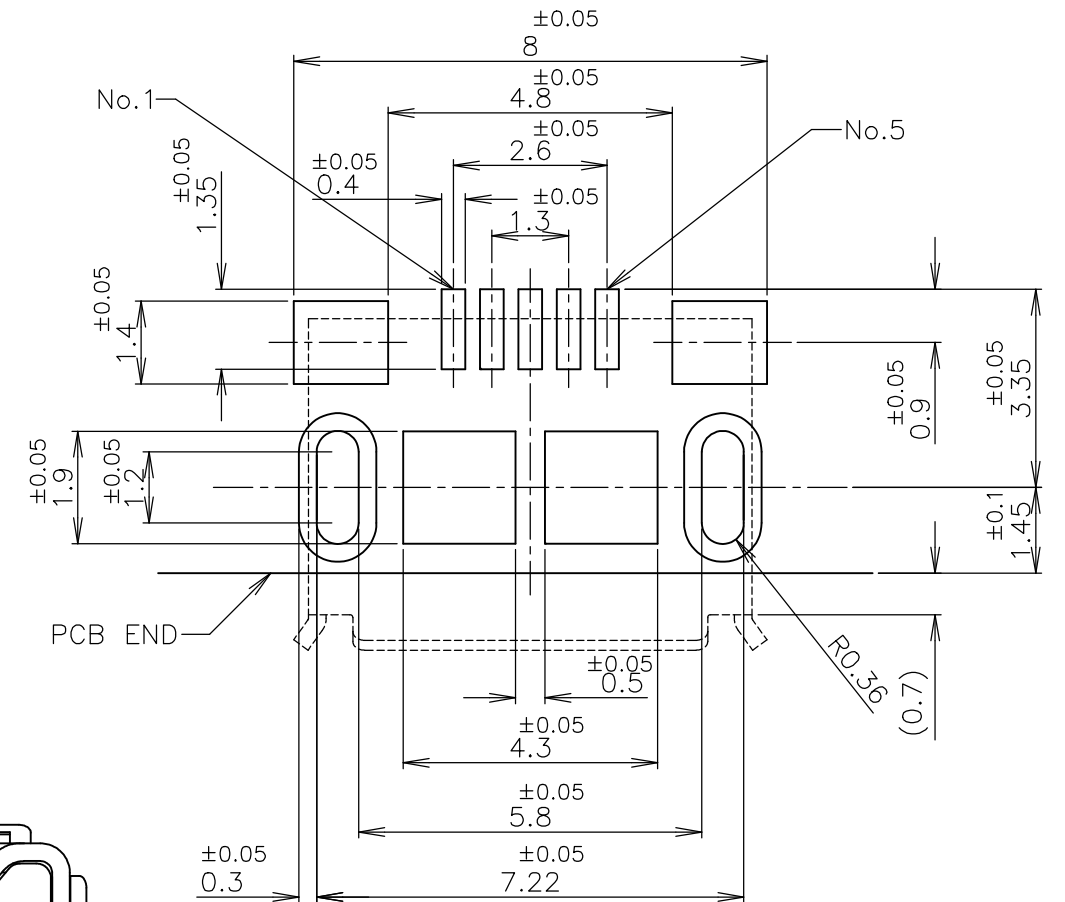
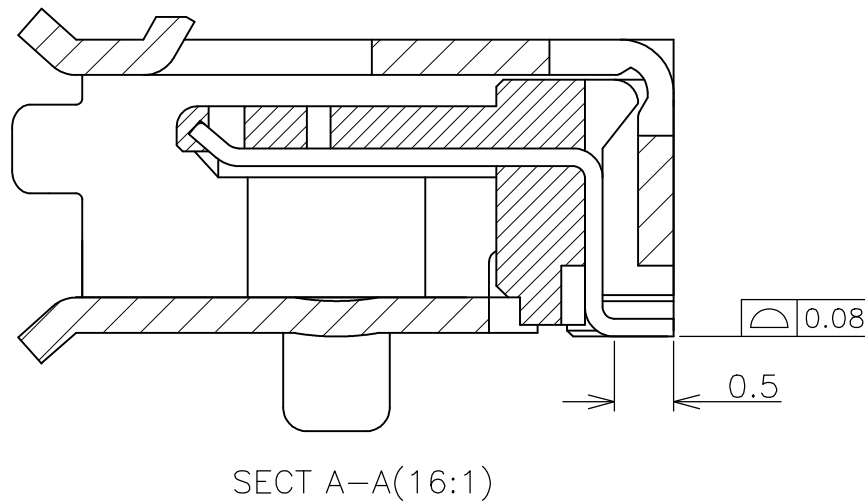
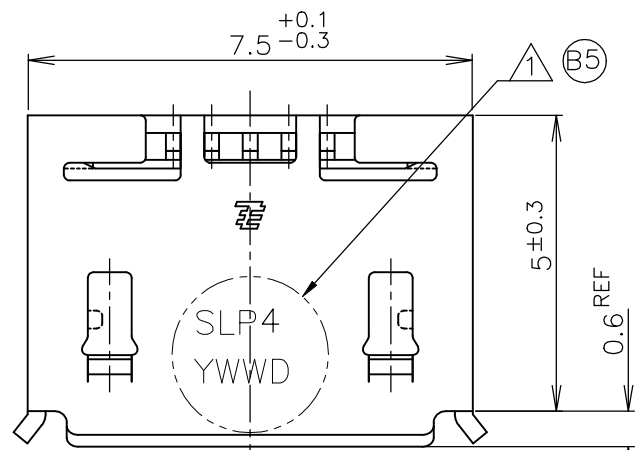
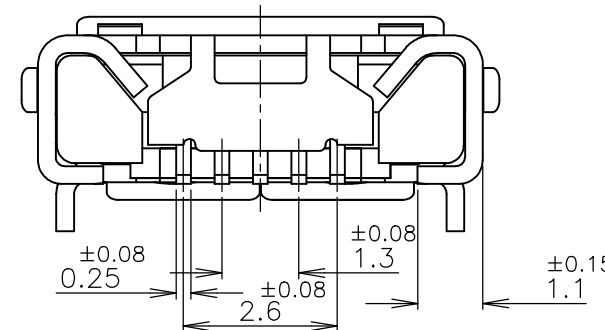
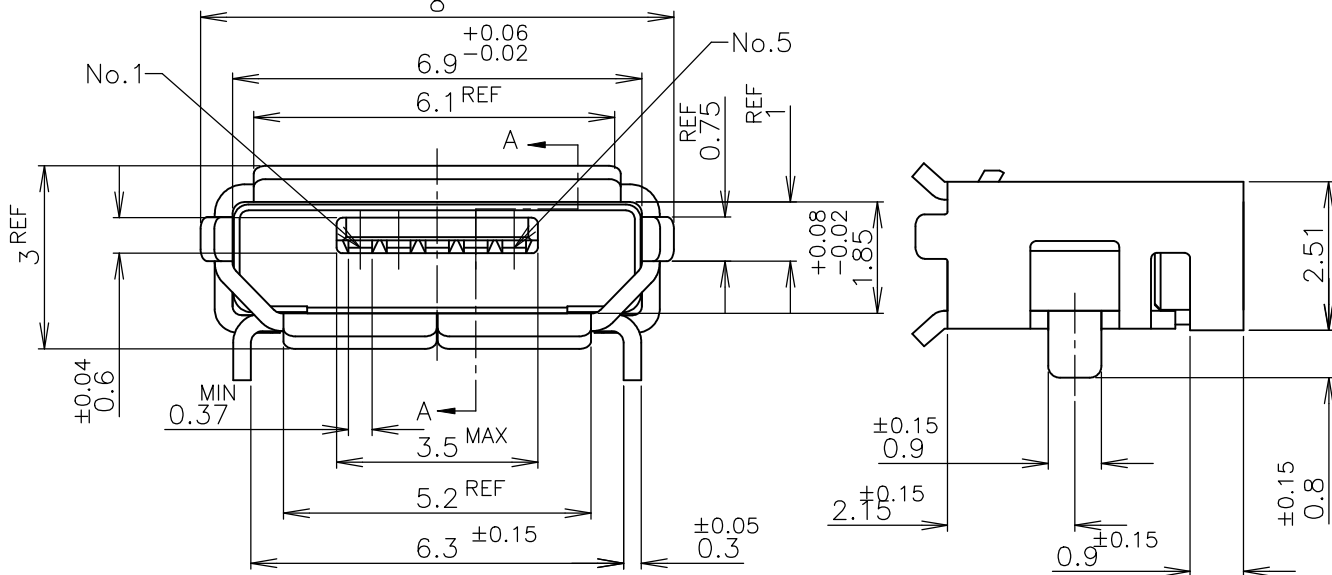


P	LTR	DESCRIPTION	DATE	DWN	APVD
	B5	REVISED PER ECO-19-005243	04APR2019	T.Z	S.L



PCB LAYOUT(REFERENCE)
(VIEWED FROM CONNECTOR MOUNT SIDE)



- △ DATE CODE MARKING
- 2. OVERALL TOLERANCE: ±0.2
- 3. MATERIAL HOUSING : THERMOPLASTIC RESIN UL94V-0
CONTACT : COPPER ALLOY
SHELL : STAINLESS STEEL
- 4. FINISH CONTACT : Ni UNDER PL
Au PL OVER Ni PL AT CONTACT AREA
SHELL : Ni UNDER PL
Sn PL

SEE SHEET 3	2013499-3
SEE SHEET 2	2013499-1
PACKAGING	PART NUMBER

THIS DRAWING IS A CONTROLLED DOCUMENT.		DWN	22OCT2007	TE Connectivity Ltd.	
		CHK	22OCT2007		
		APVD	22OCT2007	NAME 名称 MICRO USB RECEPTACLE DIP TYPE B ASSY	
		PRODUCT SPEC 製品規格	108-78434		
		APPLICATION SPEC 取付適用規格		SIZE A3 CAGE CODE 00779 DRAWING NO 番号 G-2013499 RESTRICTED TO —	
		MATERIAL 材料	FINISH 仕上		
		CUSTOMER DRAWING		SCALE 尺度	8:1
				SHEET	1 of 3
				REV	B5

THIS DRAWING IS UNPUBLISHED.

RELEASED FOR PUBLICATION

JAN ,2007.

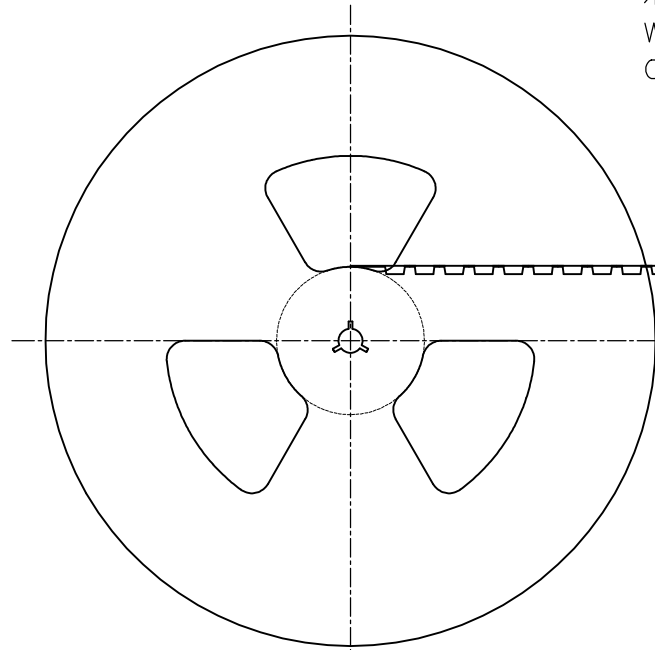
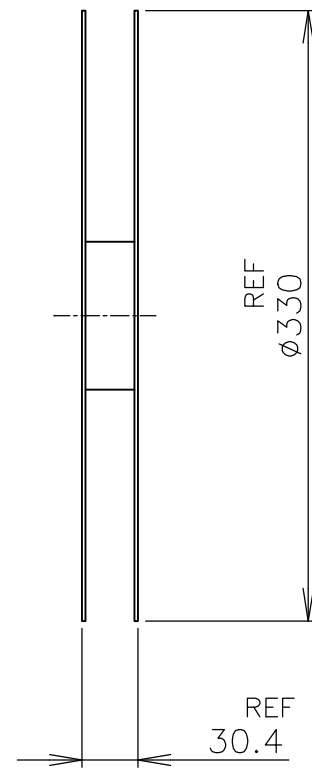
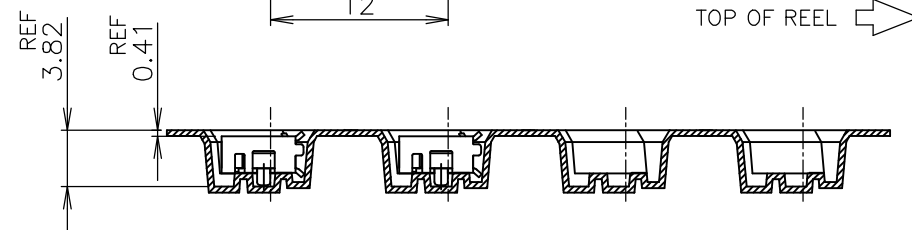
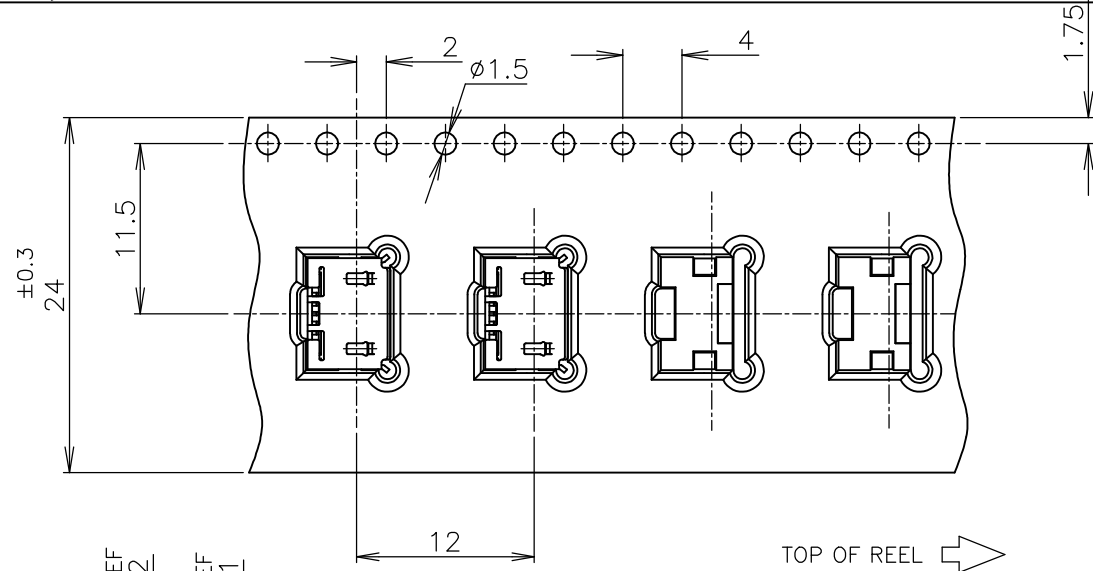
© COPYRIGHT 2007 By -

ALL RIGHTS RESERVED.

REVISIONS

変更

P	LTR	DESCRIPTION	DATE	DWN	APVD
-	-	SEE SHEET 1	-	-	-



カバーテープリーダー部
外周1巻
WIDE COVER TAPE AROUND
OUT PERIPHERY 1 TURN

剥離強度 0.1-1.3N MAX(300±10mm/min)
PEELING STRENGTH
剥離角度 165~180°
PEELING ANGLE

引き出し方向
TOP OF REEL

1000個/リール
1000EA/REEL

HOLES
8穴

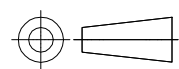
空部
WITHOUT CHARGE
300mm程度
APPROX

製品装填部
WITH PRODUCT CHARGE

空部
WITHOUT CHARGE
600mm程度
APPROX

THIS DRAWING IS A CONTROLLED DOCUMENT.

DIMENSIONS:
単位: 耗
MM



TOLERANCES UNLESS
OTHERWISE SPECIFIED:
一般公差

- 0 PLC ± 0.2
- 1 PLC ± 0.2
- 2 PLC ± 0.2
- 3 PLC ± 0.2
- 4 PLC ± 0.2
- ANGLES ± 10

MATERIAL
材料

FINISH
仕上

DWN	-
CHK	-
APVD	-
PRODUCT SPEC	製品規格
APPLICATION SPEC	取付適用規格
WEIGHT	-

STE TE Connectivity Ltd.

NAME
名称
MICRO USB
RECEPTACLE DIP TYPE B
ASSY

SIZE	CAGE CODE	DRAWING NO 番号	RESTRICTED TO
A3	00779	C-2013499	-

CUSTOMER DRAWING

SCALE
尺度 2:1 SHEET 2 of 3 REV B5

4

3

2

1

THIS DRAWING IS UNPUBLISHED.

RELEASED FOR PUBLICATION

MAY, 2007.

© COPYRIGHT 2007 By -

ALL RIGHTS RESERVED.

REVISIONS

変更

P	LTR	DESCRIPTION	DATE	DWN	APVD
-	-	SEE SHEET 1	-	-	-

(B4) 2013499-3 AS SHOWN

THIS DRAWING IS A CONTROLLED DOCUMENT.

DWN J.TSUJI 22OCT2007

CHK T.KUSUHARA 22OCT2007

APVD T.KUSUHARA 22OCT2007

PRODUCT SPEC 製品規格

APPLICATION SPEC 取付適用規格

WEIGHT

CUSTOMER DRAWING

DIMENSIONS:
単位: 耗
MMTOLERANCES UNLESS
OTHERWISE SPECIFIED:
一般公差

0 PLC	± 0.2
1 PLC	± 0.2
2 PLC	± 0.2
3 PLC	± 0.2
4 PLC	± 0.2
ANGLES	± 10

MATERIAL
材料FINISH
仕上

TE Connectivity Ltd.

NAME 名称	
MICRO USB RECEPTACLE DIP TYPE B ASSY	

SIZE	CAGE CODE	DRAWING NO 番号	RESTRICTED TO
A3	00779	C-2013499	-

SCALE 尺度	SHEET	REV
8:1	3 OF 3	B5

1470-19 (1/15)

Downloaded From Oneyac.com

单击下面可查看定价，库存，交付和生命周期等信息

[>>TE Connectivity\(泰科\)](#)