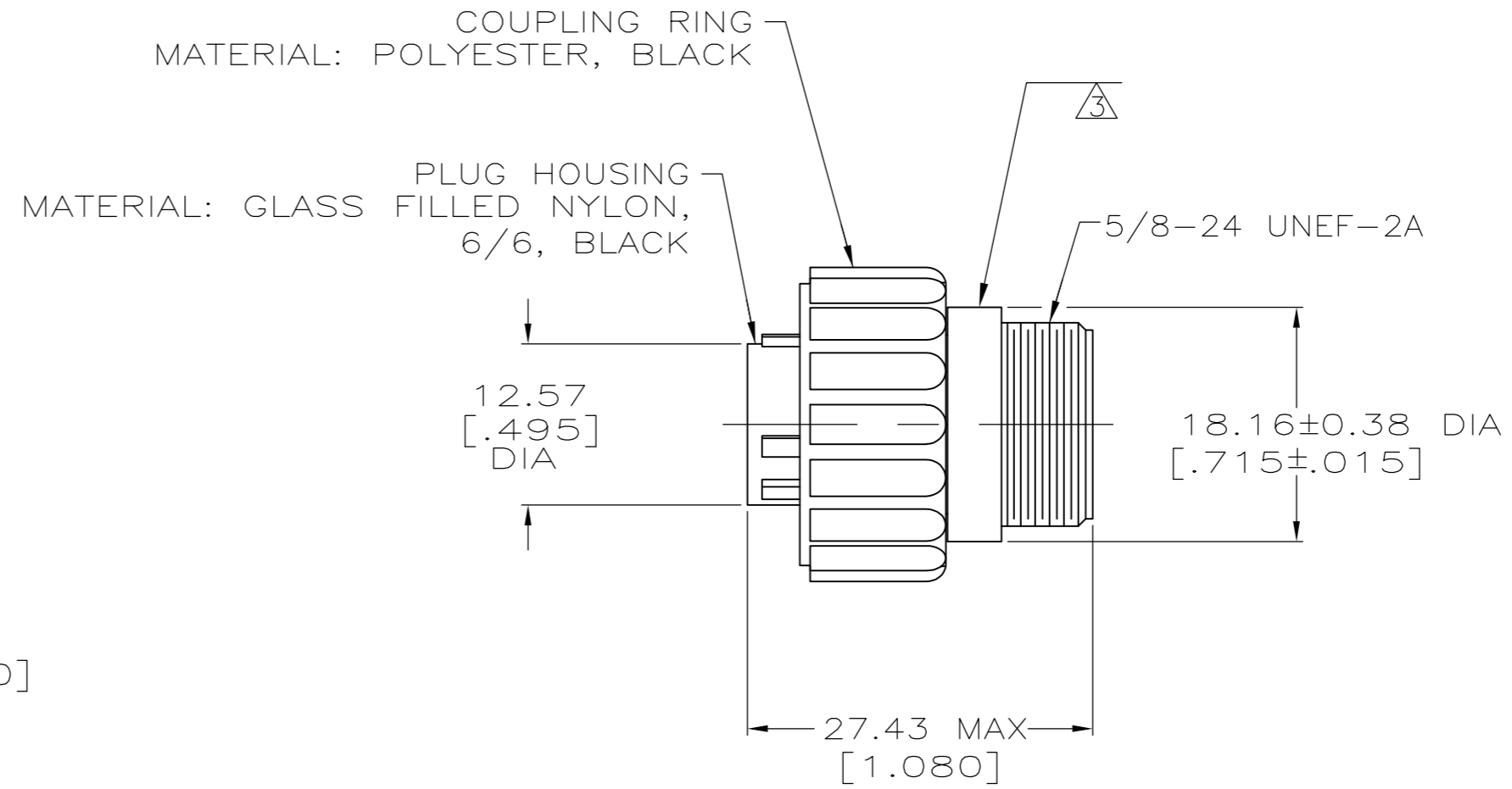
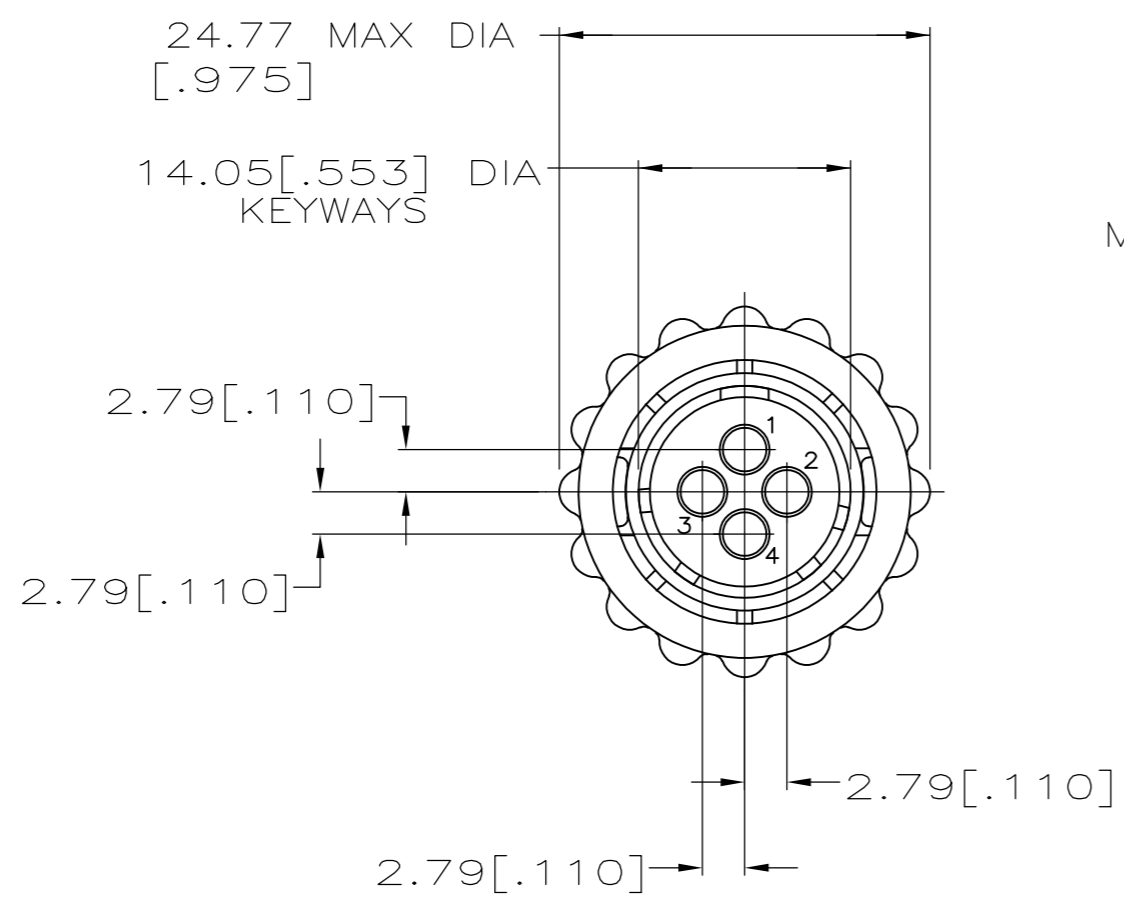


THIS DRAWING IS UNPUBLISHED. RELEASED FOR PUBLICATION
 © COPYRIGHT - By - ALL RIGHTS RESERVED.

LOC		DIST		REVISIONS			
P	LTR	DESCRIPTION		DATE	DWN	APVD	
FT	4	H1	REVISED PER ECO-11-004587		11MAR11	RK	HMR



NOTES:

- CAVITY IDENTIFICATION ON FRONT AND REAR FACE.
 - WILL ACCEPT FOUR (4) MULTIMATE CONTACTS.
- MOLDED PART NUMBER THIS SURFACE. PART NUMBER MAY ALSO APPEAR ON COUPLING RING MATING FACE.

SMALL PACK	206060-2
STANDARD	206060-1
PACKAGING	PART NO.

THIS DRAWING IS A CONTROLLED DOCUMENT.		DWN	D.GELTZ	07/26/93		TE Connectivity																		
DIMENSIONS: mm		CHK	R.STONE	08/11/93		NAME																		
TOLERANCES UNLESS OTHERWISE SPECIFIED:		APVD	-	-		PRODUCT SPEC																		
<table border="1"> <tr><td>0 PLC</td><td>±</td><td>-</td></tr> <tr><td>1 PLC</td><td>±</td><td>-</td></tr> <tr><td>2 PLC</td><td>±</td><td>0.13 [.005]</td></tr> <tr><td>3 PLC</td><td>±</td><td>-</td></tr> <tr><td>4 PLC</td><td>±</td><td>-</td></tr> <tr><td>ANGLES</td><td>±</td><td>-</td></tr> </table>		0 PLC	±	-		1 PLC	±	-	2 PLC	±	0.13 [.005]	3 PLC	±	-	4 PLC	±	-	ANGLES	±	-	APPLICATION SPEC		108-10024	
0 PLC	±	-																						
1 PLC	±	-																						
2 PLC	±	0.13 [.005]																						
3 PLC	±	-																						
4 PLC	±	-																						
ANGLES	±	-																						
MATERIAL	SEE	FINISH	-	WEIGHT	-	SIZE	A2	CAGE CODE	00779	DRAWING NO	C=206060	RESTRICTED TO	-											
CUSTOMER DRAWING						SCALE	2:1	SHEET	1 OF 1	REV	H1													

单击下面可查看定价，库存，交付和生命周期等信息

[>>TE Connectivity\(泰科\)](#)