

THIS DRAWING IS UNPUBLISHED.

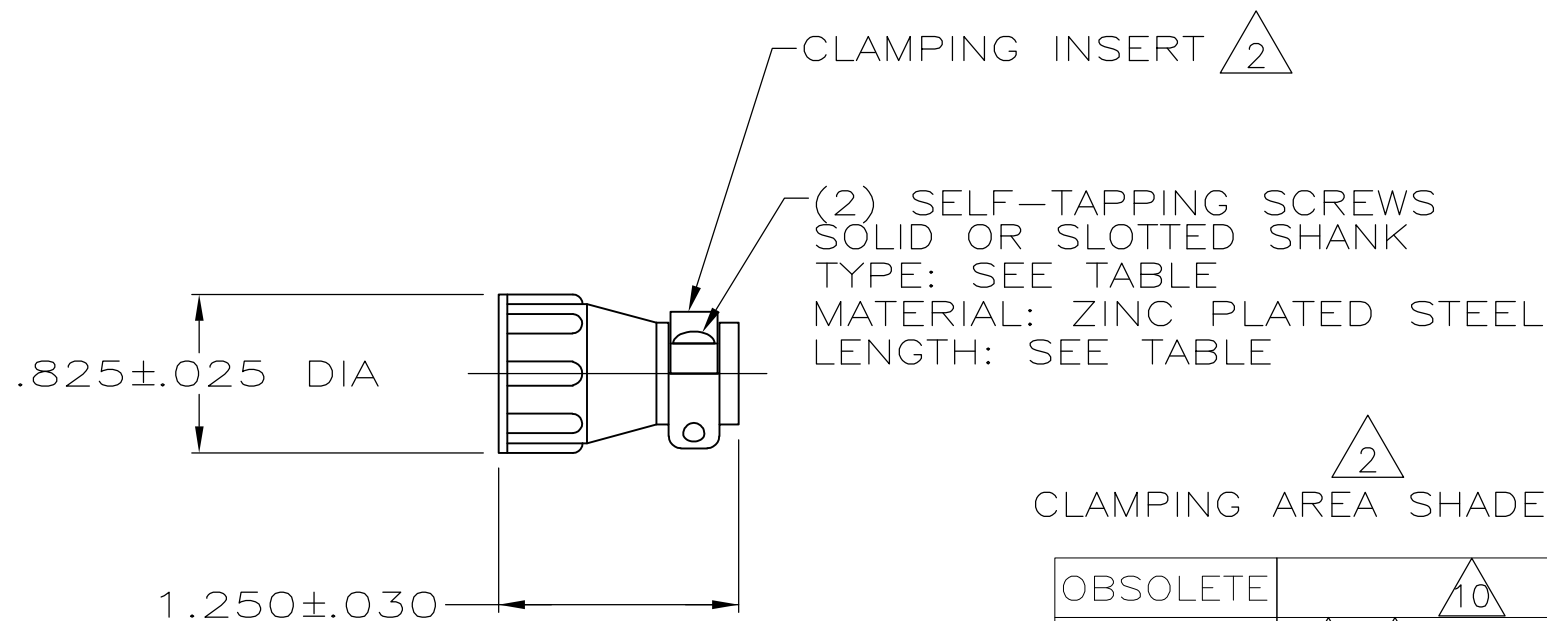
RELEASED FOR PUBLICATION

ALL RIGHTS RESERVED.

© COPYRIGHT - By -

REVISIONS

| P | LTR | DESCRIPTION | DATE | DWN | APVD |
|---|-----|---------------------------|-----------|-----|------|
| | V1 | REVISED PER ECO-15-002073 | 06MAY2015 | NK | MZ |
| | W | REVISED PER ECR-16-017870 | 20APR2017 | BDA | MZ |



- 1 PARTS PACKAGED UNASSEMBLED.
- $\triangle 2$ CABLE CLAMPING AREA ADJUSTABLE FROM .004 TO .055 SQ IN BY REVERSING CLAMPING INSERTS.
- 3 .329 MAXIMUM CABLE OUTSIDE DIAMETER.
- $\triangle 4$ BULK PACKAGED KITS TO BE ORDERED IN MULTIPLES OF 800 ONLY.
- $\triangle 5$ OBSOLETE PART NUMBER.
- $\triangle 6$ STAINLESS STEEL (NON MAGNATIC).
- $\triangle 7$ CABLE CLAMP WITH NON-MAGNETIC STAINLESS STEEL SCREWS.
- $\triangle 8$ ZINC PLATED STEEL, NON-HEXAVALENT CHROMATE.

- $\triangle 9$ OBSOLETE PARTS: OBSOLETE CIS STREAMLINING PER D.RENAUD/D.SINISI
- $\triangle 10$ SPECIAL PACKAGING CONSISTING OF 1 KIT PER INDIVIDUAL BAG, 20 INDIVIDUAL BAGS PER LARGER BAG, 5 LARGER BAGS PER SHIPPER BOX.

| PACKAGING | SCREW FINISH | SCREW LENGTH | SCREW TYPE | PART NUMBER |
|---|--------------------|----------------------------------|------------|------------------------|
| OBSOLETE $\triangle 10$ | $\triangle 8$ | .50 ⁺ _{-.05} | #5-20 | 2-206062-0 |
| OBSOLETE $\triangle 7$ $\triangle 4$ BULK | $\triangle 6$ | .50 ⁺ _{-.05} | #5-20 | 1-206062-9 |
| $\triangle 4$ BULK | $\triangle 8$ | .50 ⁺ _{-.05} | #5-20 | 1-206062-7 |
| INDIVIDUAL | $\triangle 8$ | .38 ⁺ _{-.05} | #5-20 | 1-206062-6 |
| $\triangle 4$ BULK | $\triangle 8$ | .38 ⁺ _{-.05} | #5-20 | 1-206062-5 |
| INDIVIDUAL | $\triangle 8$ | .50 ⁺ _{-.05} | #5-20 | 1-206062-4 |
| INDIVIDUAL | $\triangle 8$ | .62 ⁺ _{-.05} | #5-20 | 1-206062-3 |
| INDIVIDUAL $\triangle 7$ | $\triangle 6$ | .50 ⁺ _{-.05} | #5-20 | 1-206062-2 |
| SUPERSEDED BY 1-206062-3 | $\triangle 8$ | .62 ⁺ _{-.05} | #5-20 | 1-206062-1 |
| OBSOLETE $\triangle 9$ SMALL PACK | $\triangle 8$ | .38 ⁺ _{-.05} | #5-20 | 1-206062-0 |
| AMP BRAZIL USE ONLY | INDIVIDUAL | 12mm ⁺ _{-.8} | 3mm-20 | $\triangle 5$ 206062-9 |
| AMP BRAZIL USE ONLY | INDIVIDUAL | 10mm ⁺ _{-.8} | 3mm-20 | $\triangle 5$ 206062-8 |
| SUPERSEDED BY 1-206062-7 | $\triangle 4$ BULK | .50 ⁺ _{-.05} | #5-20 | 206062-4 |
| SUPERSEDED BY 1-206062-4 | INDIVIDUAL | .50 ⁺ _{-.05} | #5-20 | 206062-3 |
| SUPERSEDED BY 1-206062-5 | $\triangle 4$ BULK | .38 ⁺ _{-.05} | #5-20 | 206062-2 |
| SUPERSEDED BY 1-206062-6 | INDIVIDUAL | .38 ⁺ _{-.05} | #5-20 | 206062-1 |

THIS DRAWING IS A CONTROLLED DOCUMENT.

DWN A GRAFF 4/29/91
CHK W.G.LENKER 7-22-92
APVD -

STE TE Connectivity

CABLE CLAMP KIT, STANDARD, SHELL SIZE 11, CPC

DIMENSIONS: INCHES

TOLERANCES UNLESS OTHERWISE SPECIFIED:

| | |
|--------|-----|
| 0 PLC | ± - |
| 1 PLC | ± - |
| 2 PLC | ± - |
| 3 PLC | ± - |
| 4 PLC | ± - |
| ANGLES | ± - |

MATERIAL THERMOPLASTIC FINISH -

PRODUCT SPEC -

APPLICATION SPEC -

WEIGHT -

SIZE A3 CAGE CODE 00779 DRAWING NO C-206062 RESTRICTED TO -

CUSTOMER DRAWING SCALE NTS SHEET 1 OF 1 REV W

单击下面可查看定价，库存，交付和生命周期等信息

[>>TE Connectivity\(泰科\)](#)