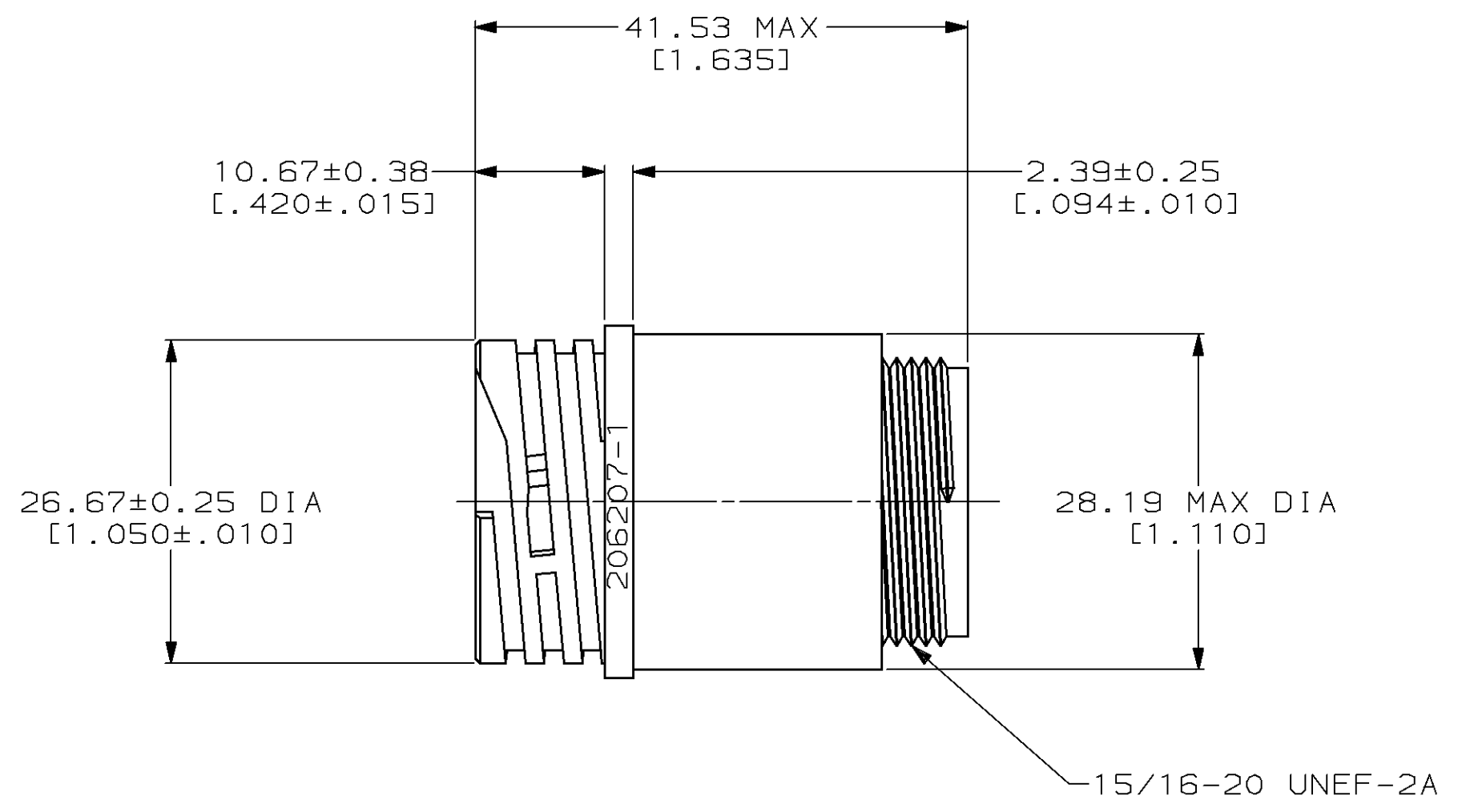
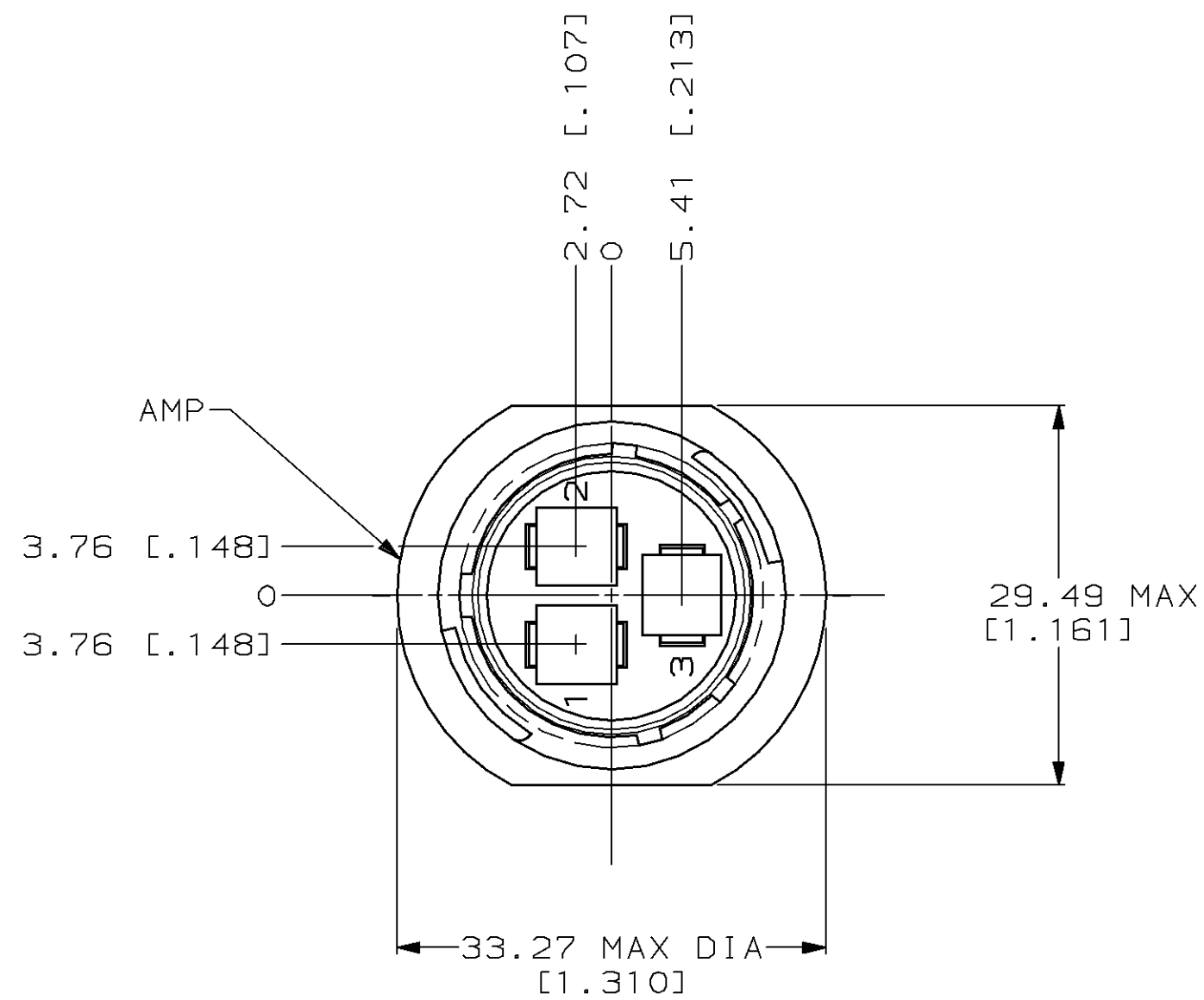


THIS DRAWING IS UNPUBLISHED. RELEASED FOR PUBLICATION, 19 .
 © COPYRIGHT 19 BY AMP INCORPORATED. ALL INTERNATIONAL RIGHTS RESERVED.

MOD		Loc		DIST		P		F		ZONE		LTR		REVISIONS		DATE	APPD
4		BD		35								G		REDRAWN W/O CHANGE PER EC 0020-569-94	06/01/94	-	



- CAVITY IDENTIFICATION ON FRONT AND REAR FACE.
- WILL ACCEPT THREE (3) TYPE XII PIN CONTACTS.

		206207-1	
		PART NO	
DO NOT SCALE PRINT. UNLESS SPECIFIED DIMENSIONS IN mm [INCHES] TOLERANCES ON : 2 PLC DEC ±0.13 [.005] 3 PLC DEC ± - ANGLES ± -		DR 06/01/94 D.HARDY	
MATERIAL NYLON, BLACK		CHK 06/08/94 W.G.LENKER	
FINISH -		APPD 07/13/94 A.FRANTUM	
		APPD 07/13/94 A.FRANTUM	
		PRODUCT SPEC -	
		APPLICATION SPEC -	
		WEIGHT -	
		NAME RCPT HSG, STANDARD SEX, SHELL SIZE 17, CPC	
		SIZE C 00779	
		CAGE CODE G=206207	
		DRAWING NO G=206207	
		SCALE 2:1	
		SHEET 1 OF 1	

THIS DRAWING IS A CONTROLLED DOCUMENT FOR AMP INCORPORATED. IT IS SUBJECT TO CHANGE AND THE CONTROLLING ENGINEERING ORGANIZATION SHOULD BE CONTACTED FOR THE LATEST REVISION.

单击下面可查看定价，库存，交付和生命周期等信息

[>>TE Connectivity\(泰科\)](#)