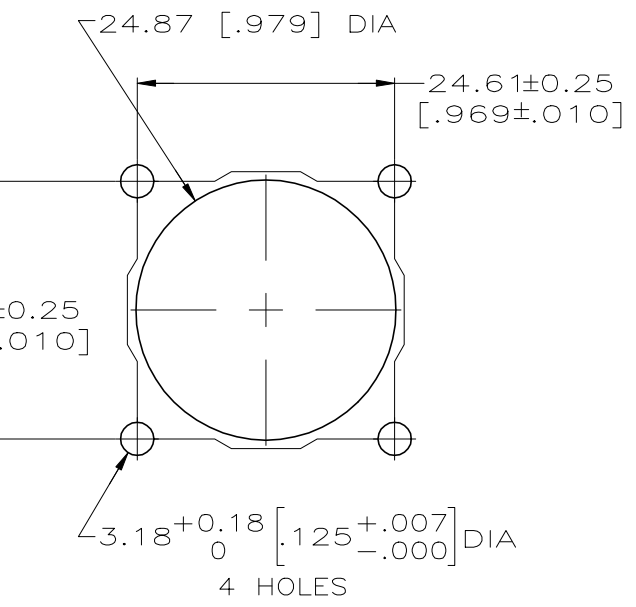
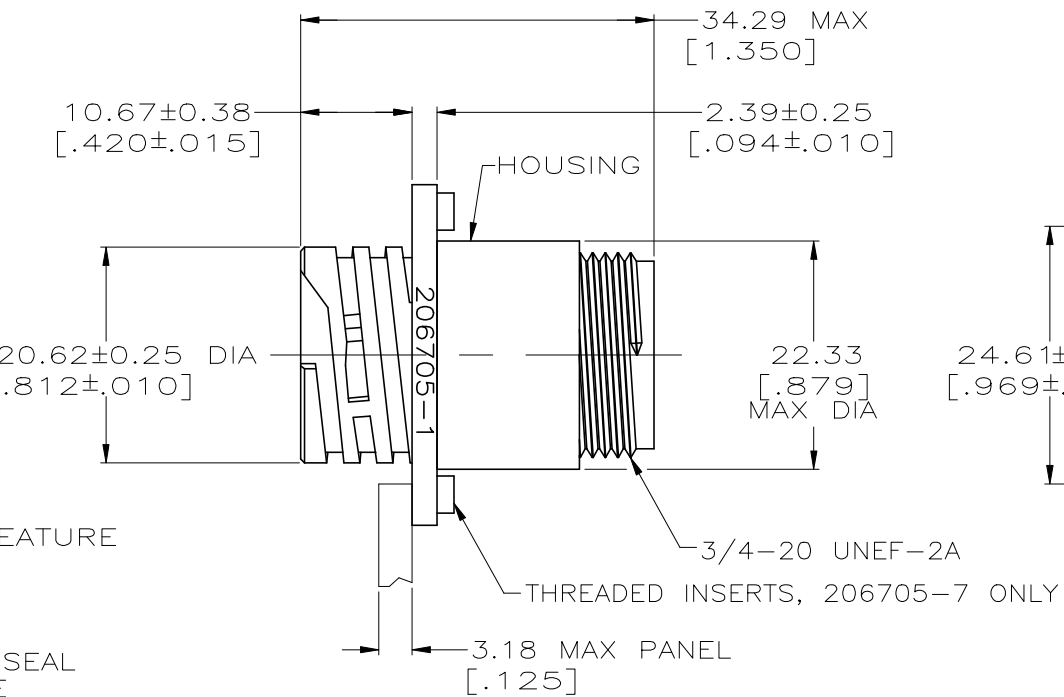
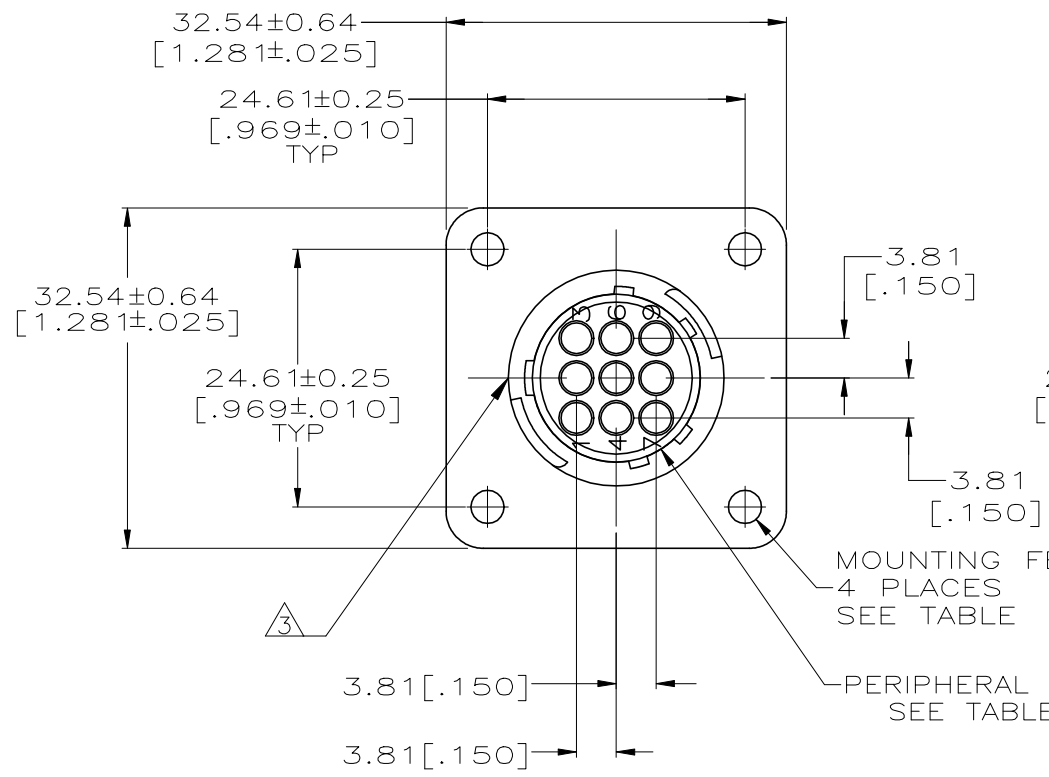
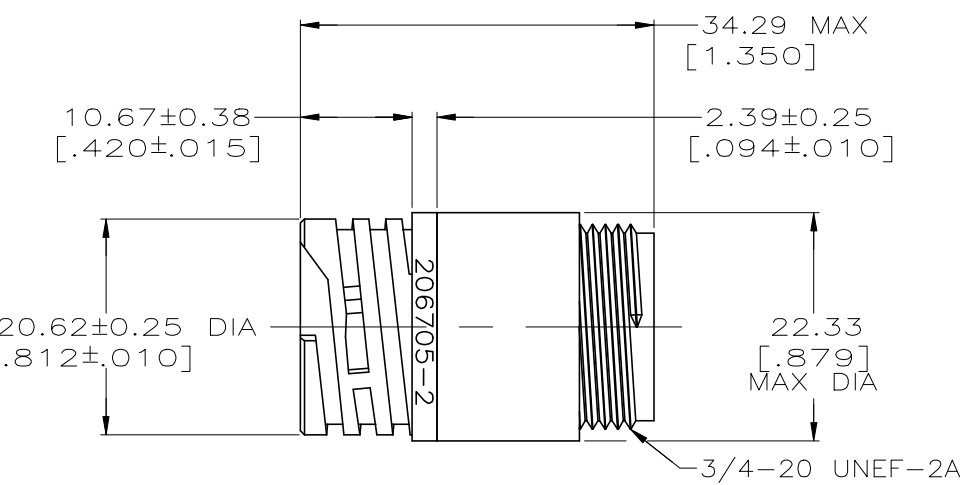
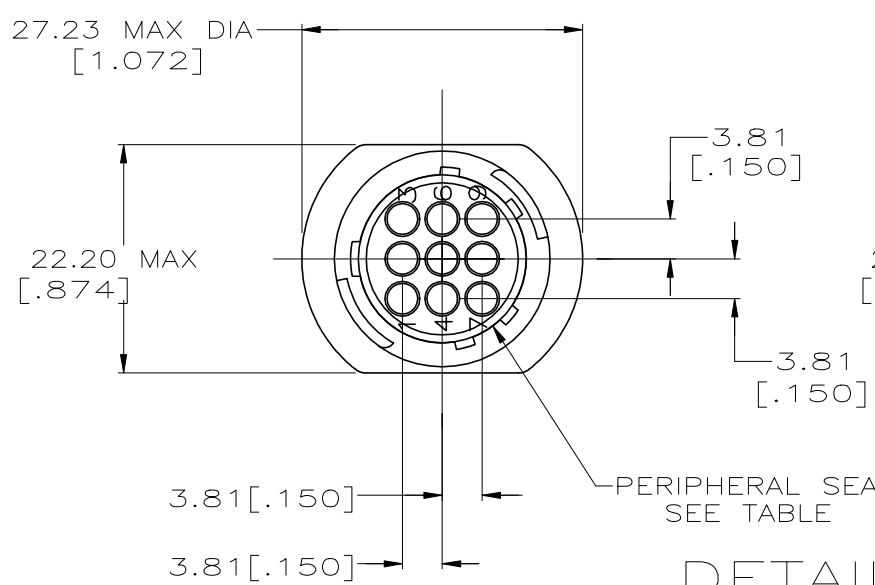


REVISIONS				
P	LTR	DESCRIPTION	DATE	APVD
M		REVISED PER ECO-12-015521	28SEP12	KH MZ
N		REVISED PER ECO-17-000037	10MAR2017	RS MZ
P		REVISED PER ECO-19-014836	21OCT2019	RS MZ



DETAIL A

RECOMMENDED PANEL CUTOUT



DETAIL B

MOUNTING FEATURE	NOTES	PERIPHERAL SEAL	SEE DETAIL	PART NUMBER
#4-40 THREADED INSERTS Ø3.18 (.125) HOLES	3	NO	A	206705-7
	-	YES	B	206705-5
	-	YES	A	206705-4
	-	NO	B	206705-3
Ø3.18 (.125) HOLES	-	NO	B	206705-2
	-	NO	A	206705-1

- 1 CAVITY IDENTIFICATION ON FRONT AND REAR FACE.
- 2 RECEPTACLE WILL ACCEPT NINE (9) MULTIMATE PIN CONTACTS.
- 3 WHITE DOT OVER MAJOR KEY, APPROX WHERE SHOWN.
- 4 OBSOLETE PART NUMBER.
- 5 MATERIALS
 HOUSING: PA66, BLACK
 PERIPHERAL SEAL: NITRILE BUTADIENE RUBBER, BLACK
 THREADED INSERTS: BRASS

THIS DRAWING IS A CONTROLLED DOCUMENT. DWN D.HARDY 05/19/94
 CHK R.STONE 05/20/94

TE Connectivity

RECEPTACLE HOUSING, STANDARD
 SEX, SHELL SIZE 13, CPC

PRODUCT SPEC: 108-10024
 APPLICATION SPEC: -

SIZE: A2 CAGE CODE: 00779 DRAWING NO: C=206705 RESTRICTED TO: -

WEIGHT: - SCALE: 2:1 SHEET: 1 of 1 REV: P

CUSTOMER DRAWING

单击下面可查看定价，库存，交付和生命周期等信息

[>>TE Connectivity\(泰科\)](#)