

THIS DRAWING IS UNPUBLISHED.



RELEASED FOR PUBLICATION

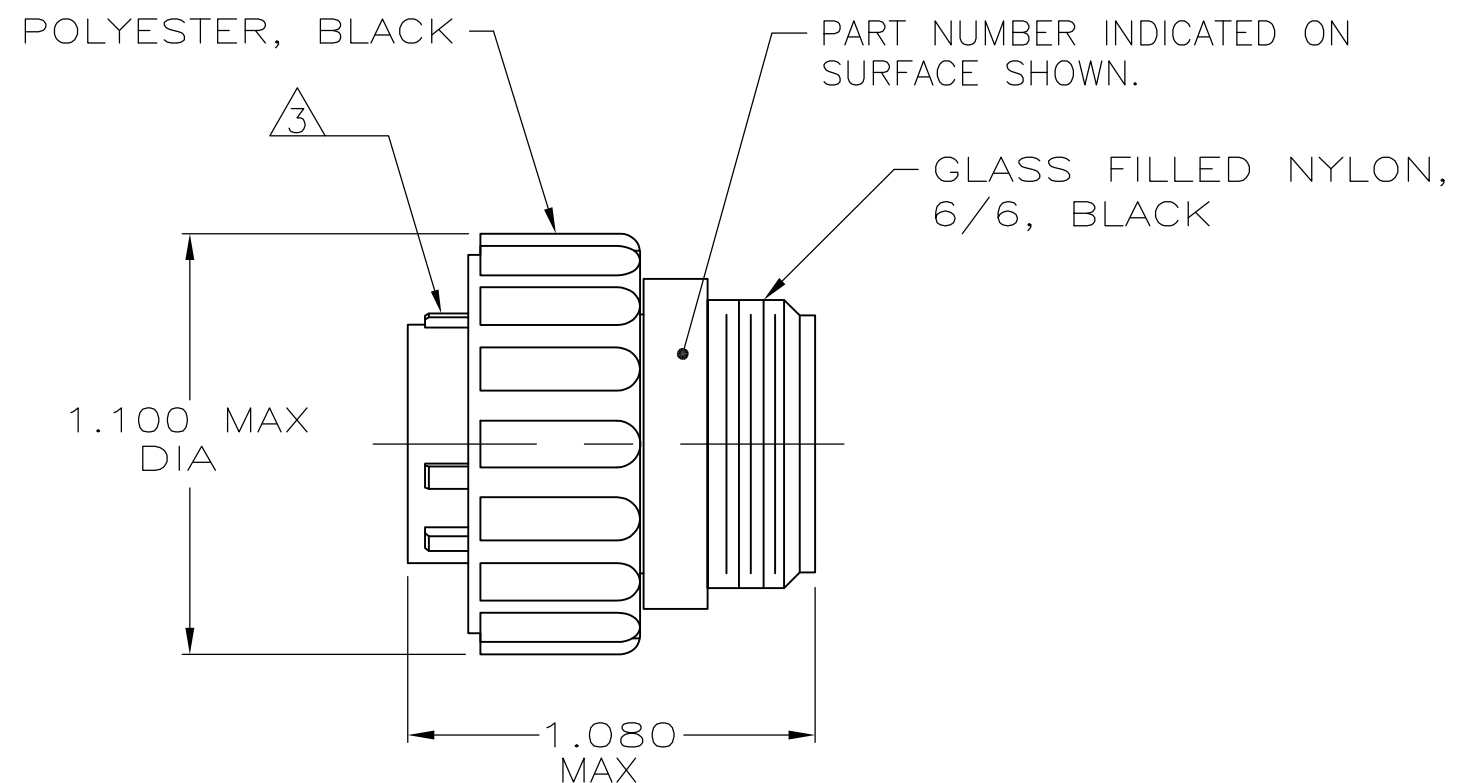
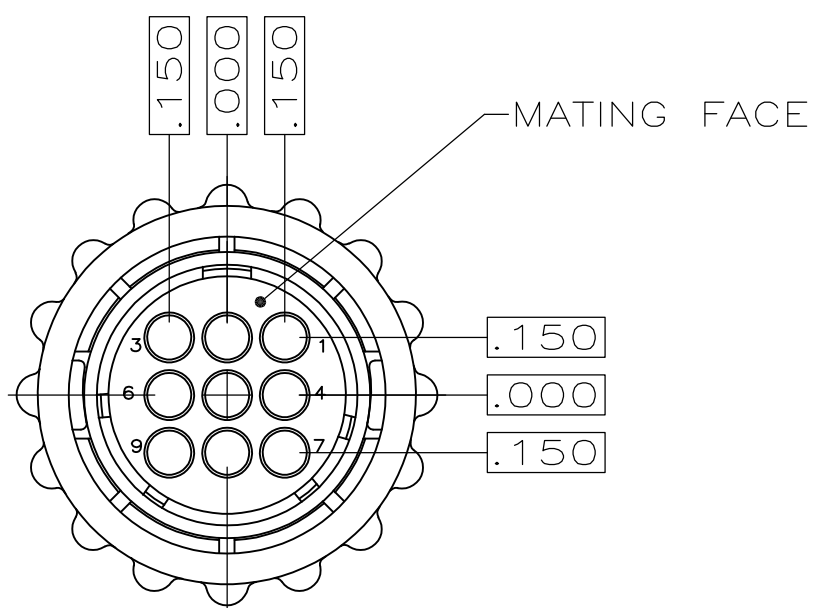
ALL RIGHTS RESERVED.

© COPYRIGHT - By -


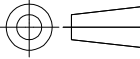
REVISIONS

P	LTR	DESCRIPTION	DATE	DWN	APVD
	K2	REVISED PER ECO-16-004800	14SEP2016	NK	MZ

- 1 CONTACT CAVITIES IDENTIFIED BY CHARACTERS ON FRONT AND REAR FACES OF CONNECTOR.
- 2 THIS PART WILL ACCEPT MULTIMATE SOCKET CONTACTS.
-  WHITE DOT OVER MAJOR KEY.
-  PRELIMINARY PART NUMBER.



OBSOLETE		STANDARD	<del>206708-3</del>
	-	SMALL PACK	206708-2
	-	STANDARD	206708-1
NOTES		PACKAGING	PART NUMBER

THIS DRAWING IS A CONTROLLED DOCUMENT.		DWN S.RIDGLEY BG 7/31/90	 TE Connectivity		
		CHK R.STONE 4-26-91			
DIMENSIONS: INCHES	TOLERANCES UNLESS OTHERWISE SPECIFIED:	APVD -	NAME		
	0 PLC ± - 1 PLC ± - 2 PLC ± - 3 PLC ± - 4 PLC ± - ANGLES ± -	PRODUCT SPEC -	PLUG ASSEMBLY, SHELL SIZE 13, STANDARD SEX, SERIES 1, CPC		
MATERIAL -	FINISH -	APPLICATION SPEC -	SIZE A3	CAGE CODE 00779	DRAWING NO C-206708
		WEIGHT -	RESTRICTED TO -		
CUSTOMER DRAWING			SCALE 2:1	SHEET 1 OF 1	REV K2

单击下面可查看定价，库存，交付和生命周期等信息

[>>TE Connectivity\(泰科\)](#)