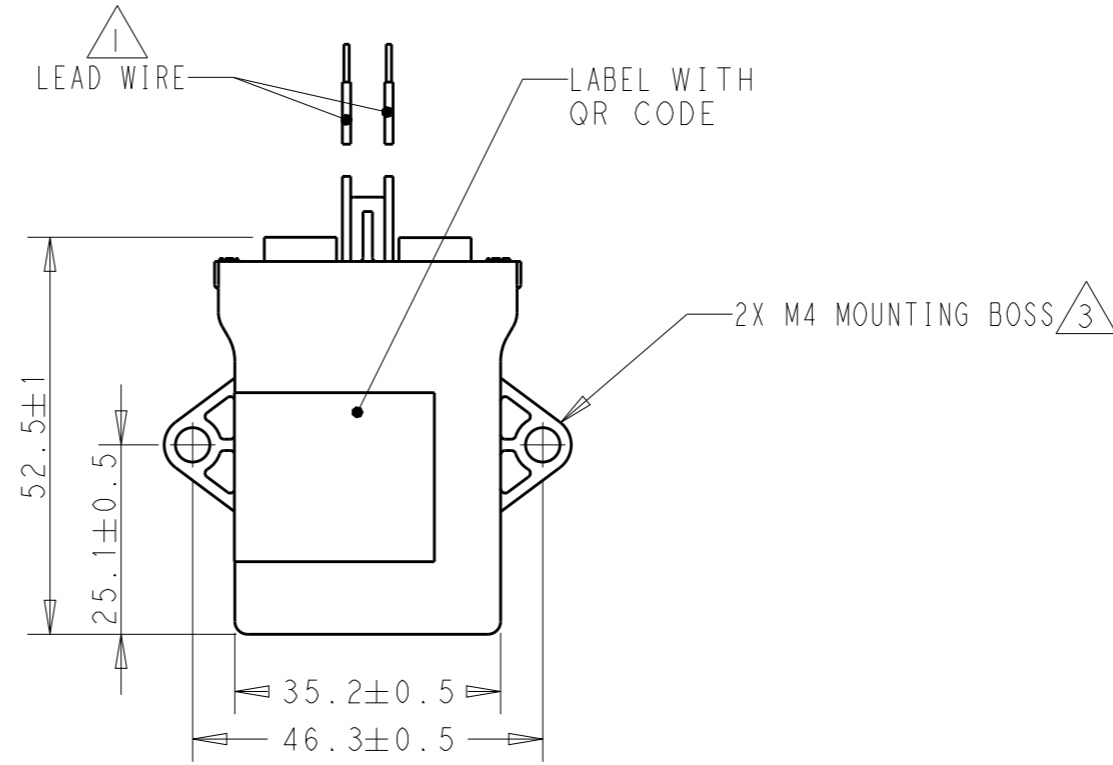
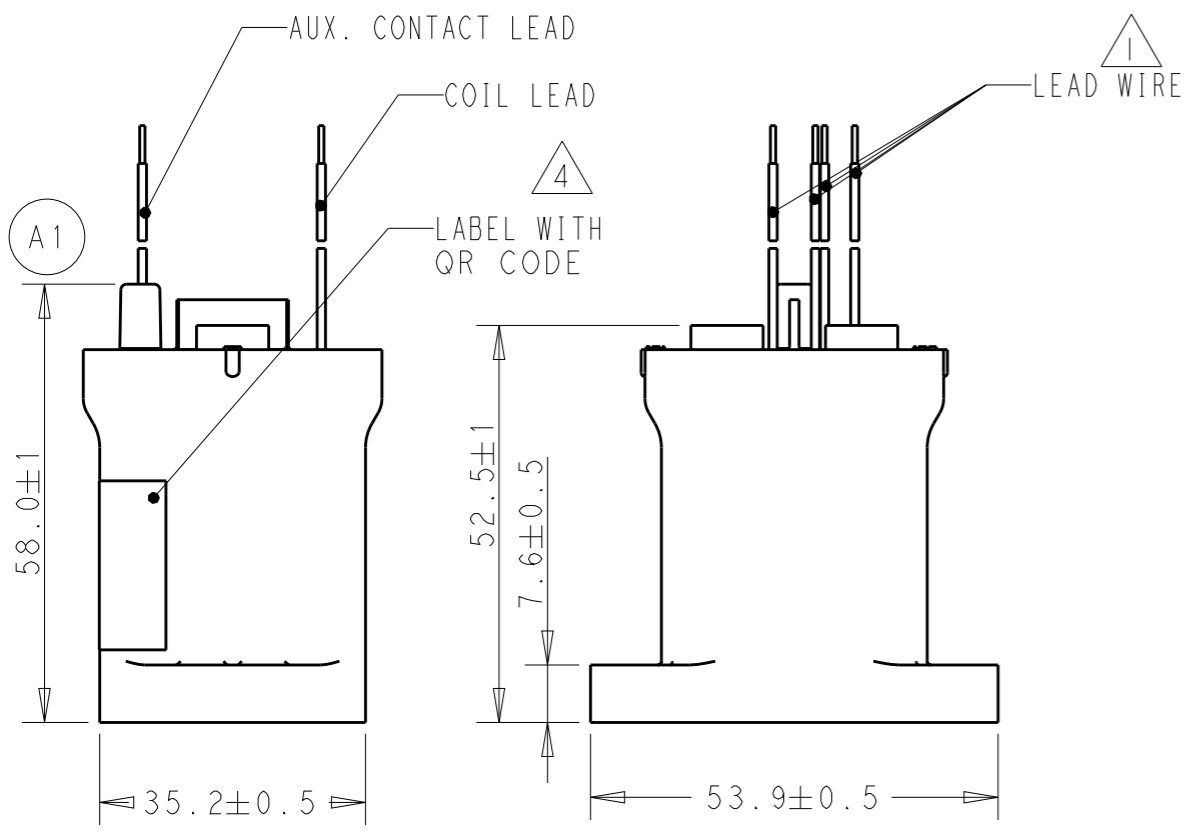
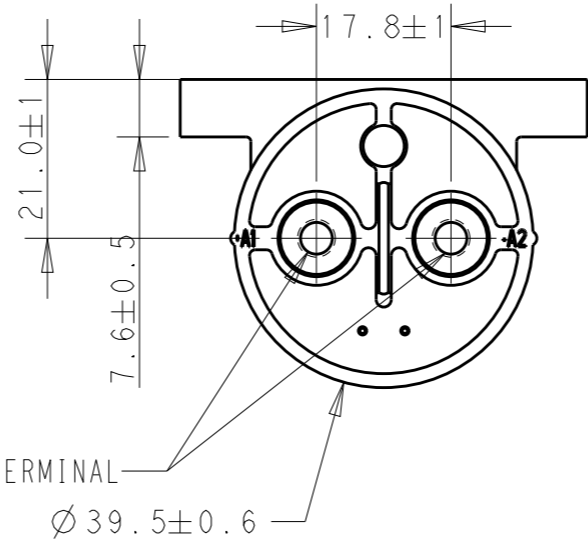
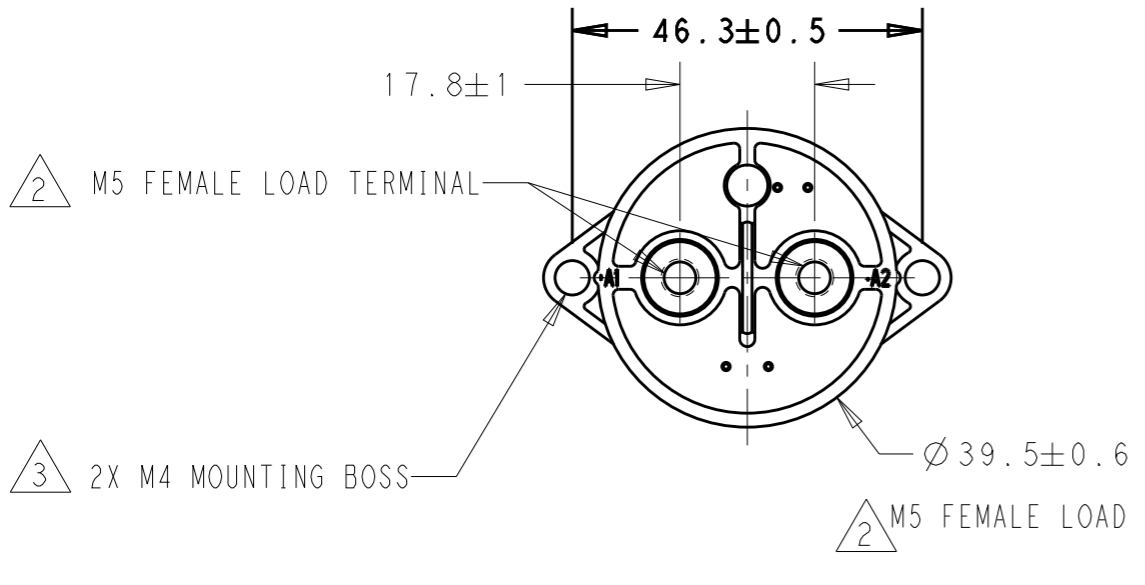



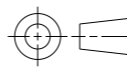
REVISIONS

P	LTR	DESCRIPTION	DATE	DWN	APVD
	A	Release	06SEP2016	X.Z	S.Z
	A1	Change dimension (A total of one)	26OCT2016	T.Z	S.Z
	B	ECO-18-016894 cmbine QR code	26OCT2018	T.Z	XN.Z

1 **BOTTOM MOUNTING TYPE**

2 **SIDE MOUNTING TYPE**



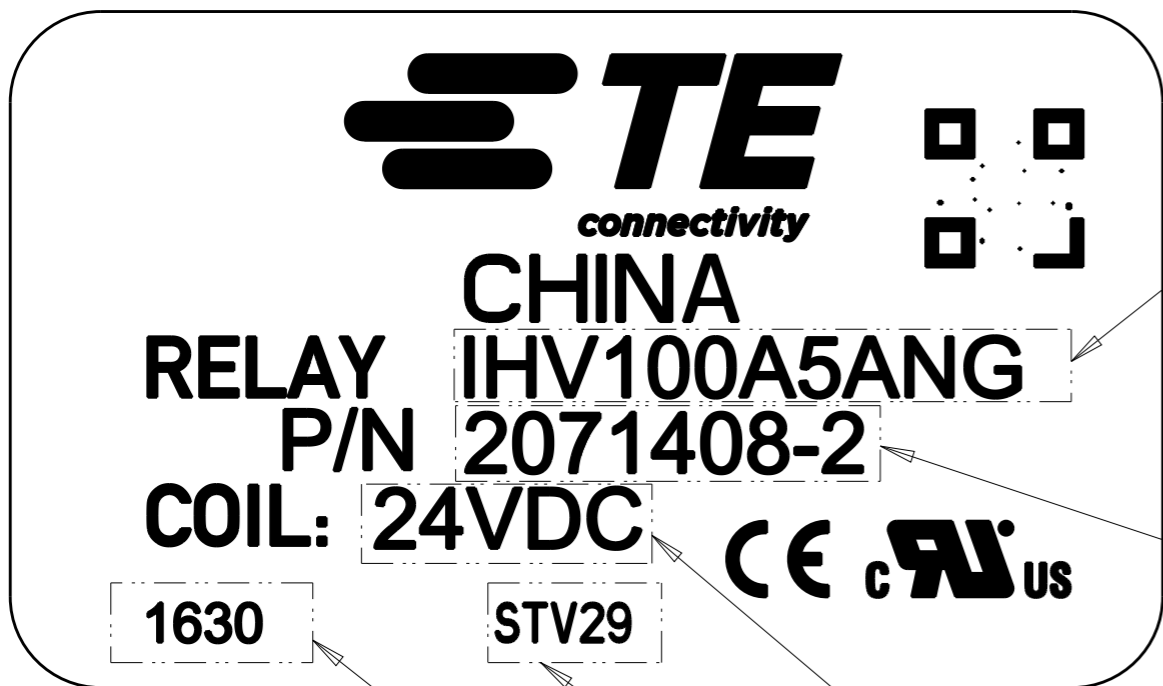
THIS DRAWING IS A CONTROLLED DOCUMENT.		DWN XN.ZHANG	06SEP2016	 TE Connectivity	
DIMENSIONS: mm		CHK -	-		
TOLERANCES UNLESS OTHERWISE SPECIFIED:		APVD SUNNY.ZHANG	06SEP2016	NAME IHV100 SERIES PRODUCT	
		PRODUCT SPEC -	-	-	
MATERIAL -		FINISH -	-	APPLICATION SPEC -	-
-		WEIGHT -	-	SIZE A3	CAGE CODE -
-		CUSTOMER DRAWING	-	DRAWING NO C-2071408	RESTRICTED TO -
-		SCALE 1:1	SHEET 1 OF 2	REV B	-

REVISIONS

P	LTR	DESCRIPTION	DATE	DWN	APVD
		SEE SHEET 1			

LABEL PRINT CONTENT

SCALE 4:1



(B)

PRODUCT NAME

PART NUMBER

COIL VOLTAGE

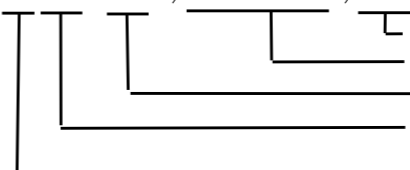
MANUFACTURING FACILITY CODE

DATE CODE (YYWW)

NOTES:

- 1 22AWG, WIRE LENGTH 380±25MM ABOUT;
- 2 HARDWARE IS RECOMMENDED TO USE:
2X M5 BOLT, LOCKWASHER AND WASHER;
TORQUE: 30 TO 40 IN-LB (3.4 TO 4.5 NM)
- 3 HARDWARE IS RECOMMENDED TO USE:
2X M4 BOLT, LOCKWASHER AND WASHER
TORQUE: 20 IN-LB MAX. (2.3 NM MAX.)
- 4 QR CODE PRINTED CONTENT:

MMYY-001, PPPPPP, 0001



SERIALS NUMBER(1~9999)
 PRODUCT NUMBER(1-7-1)
 MANUFACTURING BATCH NUMBER(1~999)
 YEAR OF MANUFACTURE(LAST 2 DIG OF YEAR)
 MONTH OF MANUFACTURE(MONTH)

SIDE	NORMALLY OPEN	48 VDC	IHV100H6ANH	3-2071408-3
SIDE	NORMALLY OPEN	24 VDC	IHV100H5ANH	3-2071408-2
SIDE	NORMALLY OPEN	12 VDC	IHV100H4ANH	3-2071408-1
BOTTOM	NORMALLY OPEN	48 VDC	IHV100H6ANG	2-2071408-3
BOTTOM	NORMALLY OPEN	24 VDC	IHV100H5ANG	2-2071408-2
BOTTOM	NORMALLY OPEN	12 VDC	IHV100H4ANG	2-2071408-1
SIDE	NONE	48 VDC	IHV100A6ANH	1-2071408-3
SIDE	NONE	24 VDC	IHV100A5ANH	1-2071408-2
SIDE	NONE	12 VDC	IHV100A4ANH	1-2071408-1
BOTTOM	NONE	48 VDC	IHV100A6ANG	2071408-3
BOTTOM	NONE	24 VDC	IHV100A5ANG	2071408-2
BOTTOM	NONE	12 VDC	IHV100A4ANG	2071408-1
MOUNT POSITION	AUX. CONTACT	COIL VOLTAGE	PRODUCT NAME	PART NUMBER

THIS DRAWING IS A CONTROLLED DOCUMENT.		DWN	-	TE TE Connectivity	
		CHK	-		
DIMENSIONS: mm		APVD	-	NAME	
		TOLERANCES UNLESS OTHERWISE SPECIFIED:		IHV100 SERIES PRODUCT	
		0 PLC ±- 1 PLC ±0.1 2 PLC ±0.01 3 PLC ±0.001 4 PLC ±0.0001 ANGLES ±-		PRODUCT SPEC	
MATERIAL TBD		FINISH		APPLICATION SPEC	
				WEIGHT	
				SIZE	A3
				CAGE CODE	-
				DRAWING NO	©-2071408
				RESTRICTED TO	-
		CUSTOMER DRAWING		SCALE	4:1
				SHEET	2 OF 2
				REV	B

单击下面可查看定价，库存，交付和生命周期等信息

[>>TE Connectivity\(泰科\)](#)