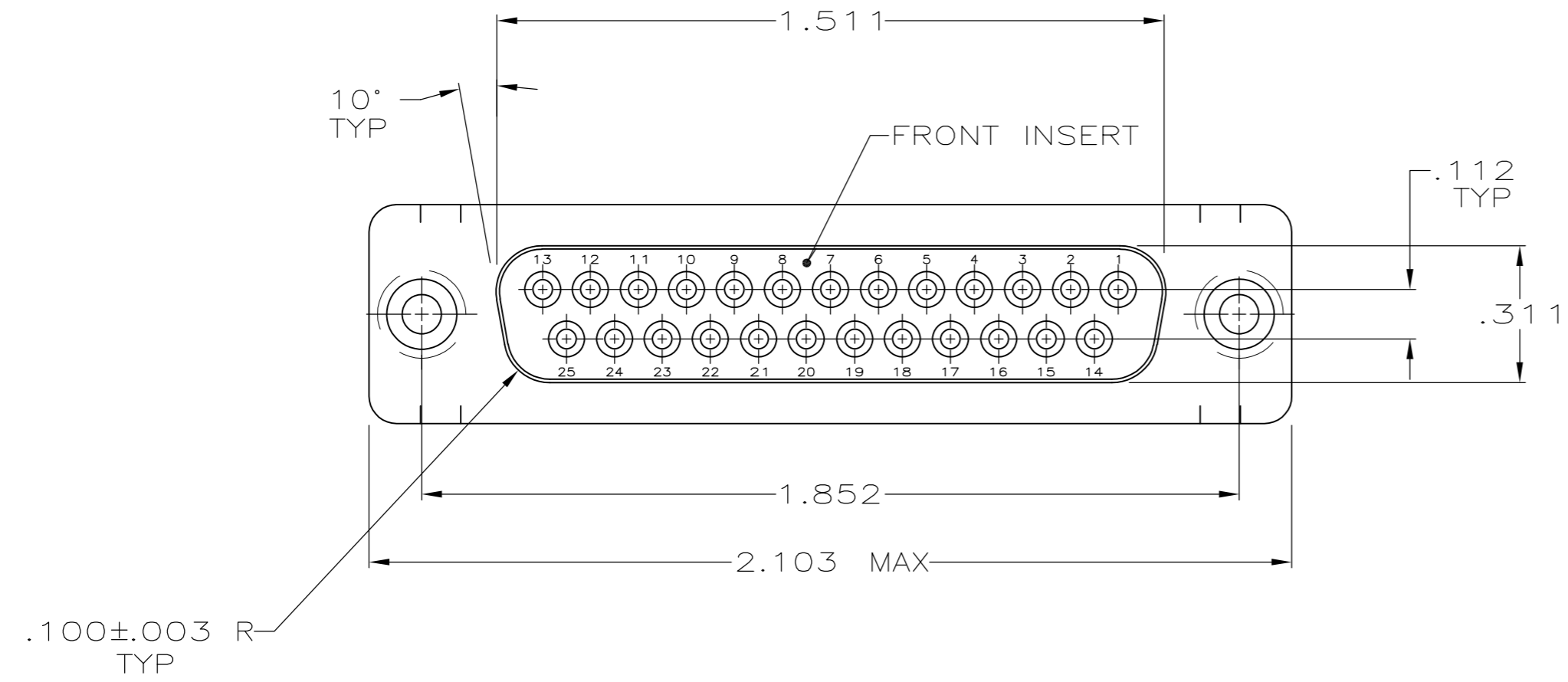
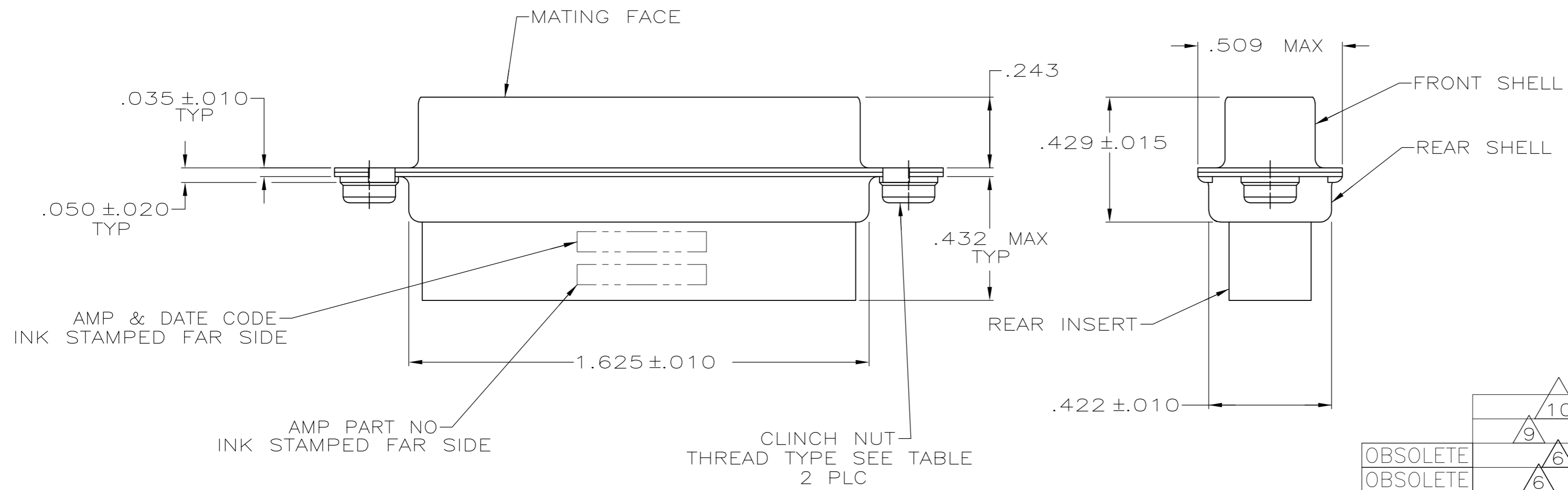


THIS DRAWING IS UNPUBLISHED. RELEASED FOR PUBLICATION  
 © COPYRIGHT - By - ALL RIGHTS RESERVED.

| LOC | DIST | REVISIONS                 |           |     |      |
|-----|------|---------------------------|-----------|-----|------|
| P   | LTR  | DESCRIPTION               | DATE      | DWN | APVD |
| GP  | 00   |                           |           |     |      |
|     | G    | REVISED PER ECO-14-011808 | 09AUG2014 | AP  | SB   |



1. WIRE INSULATION SIZE RECOMMENDED FOR USE WITH THIS RECEPTACLE IS .068 DIA MAX.
  2. TO INSERT AND REMOVE CONTACTS USE TOOL 91067-2.
  3. CONTACT RETENTION TINES ARE AN INTEGRAL PART OF INSERT.
- △4 CARBON STEEL.
  - △5 ZINC PLATED YELLOW CHROMATE.
  - △6 .000200 MIN TIN OR TIN-LEAD PLATE OVER .000100 COPPER UNDERPLATE.
  - △7 GLASS-FILLED PBT OR GLASS-FILLED NYLON, UL94V-0 RATED. COLOR: BLACK
  - △8 ZINC PLATED CLEAR CHROMATE.
  - △9 .000200 MIN TIN PLATE OVER .000100 MIN COPPER UNDERPLATE.
  - △10 ZINC PLATED .000200-.000400 THICK, YELLOW TRIVALENT CHROMIUM CHROMATE COATING.



|          |              |                   |        |             |
|----------|--------------|-------------------|--------|-------------|
|          | △10          | △8                | 4-40   | 207516-6    |
|          | △9           | △8                | 4-40   | 207516-5    |
| OBsolete | △6           | △5                | M-3    | 207516-4    |
| OBsolete | △6           | △8                | 4-40   | 207516-3    |
| OBsolete | -            | -                 | -      | 207516-2    |
| OBsolete | △5           | △8                | 4-40   | 207516-1    |
|          | SHELL FINISH | CLINCH NUT FINISH | THREAD | PART NUMBER |

THIS DRAWING IS A CONTROLLED DOCUMENT.

|  |  |
|--|--|
| DWN H MOLL 11 APR 91                   | TE Connectivity  |
| CHK R.STONE 17 APR 91                  |  |
| DIMENSIONS: INCHES                     | RECEPTACLE CONNECTOR, SIZE 3, 25 POSN, WITH CLINCH NUTS, |
| TOLERANCES UNLESS OTHERWISE SPECIFIED: |  |
| 0 PLC ± -                              |  |
| 1 PLC ± -                              |  |
| 2 PLC ± -                              | SIZE A2  |
| 3 PLC ± .005                           | CAGE CODE 00779  |
| 4 PLC ± -                              | DRAWING NO C-207516                                      |
| ANGLES ± -                             | RESTRICTED TO -  |
| MATERIAL FINISH                        | SCALE 3:1  |
| INSERTS: △7                            | SHEET 1 of 1   |
| CLINCH NUTS & SHELLS:                  | REV G  |
| CUSTOMER DRAWING                       |  |

单击下面可查看定价，库存，交付和生命周期等信息

[>>TE Connectivity\(泰科\)](#)

[>>点击查看相关商品](#)