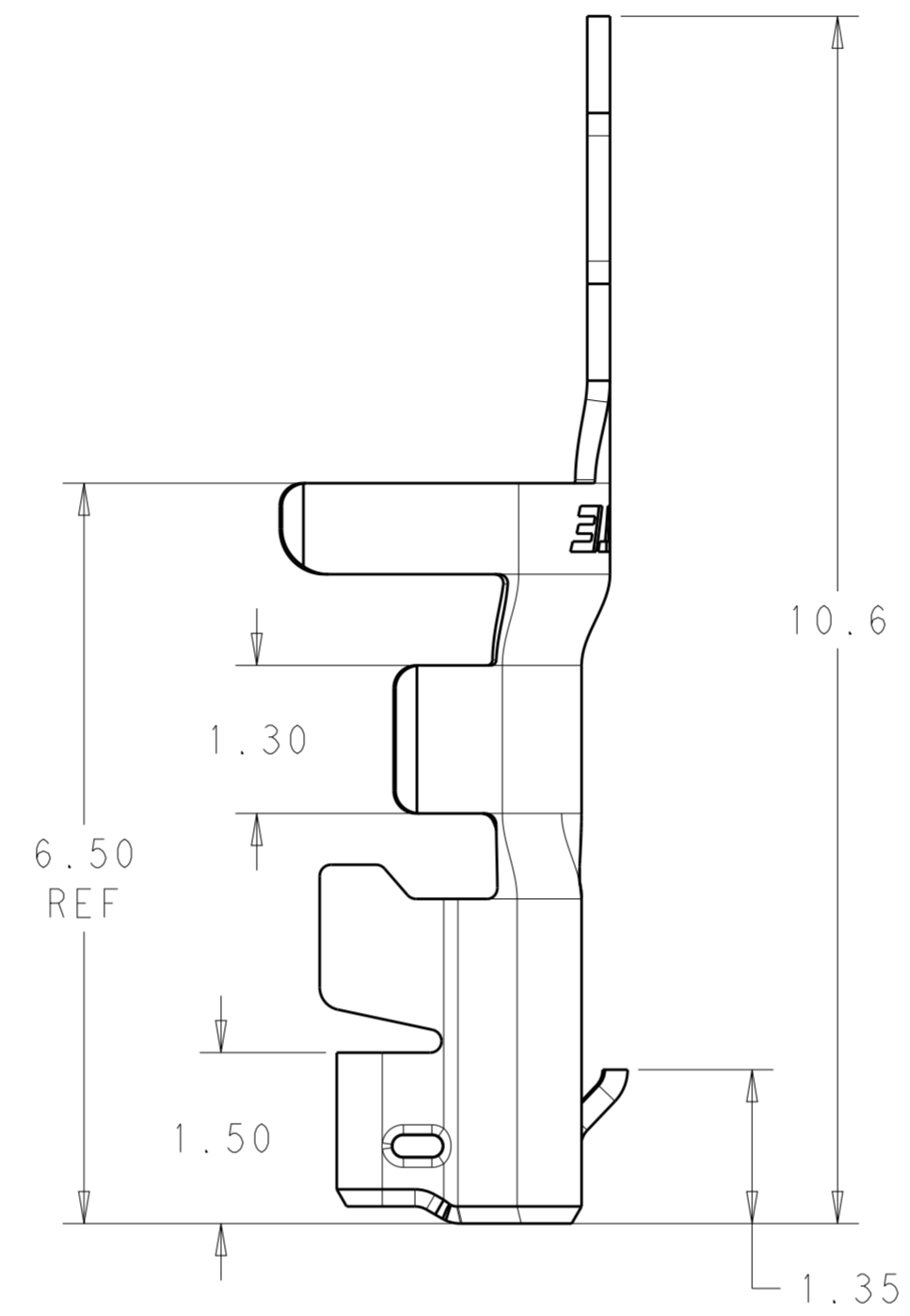
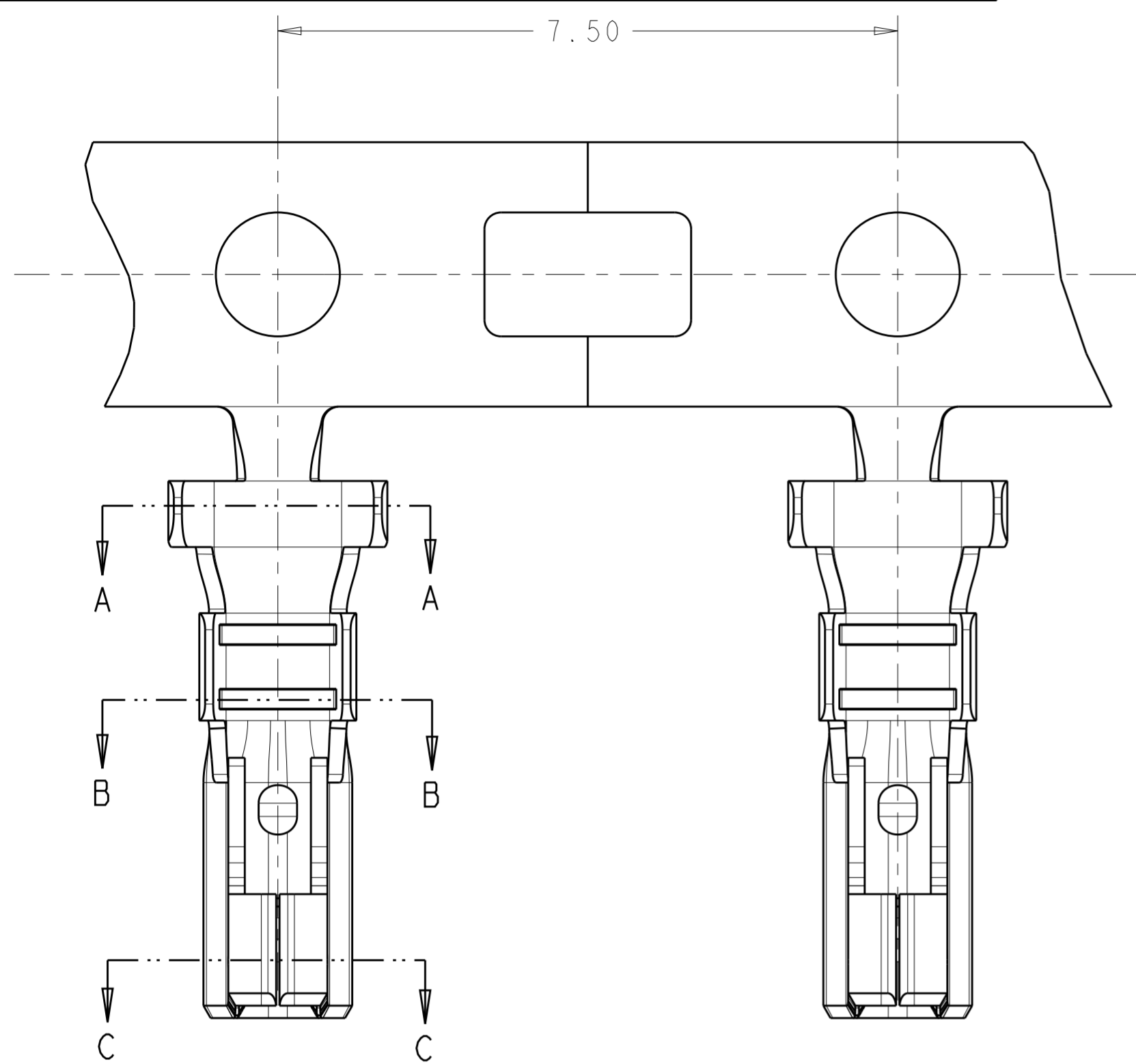
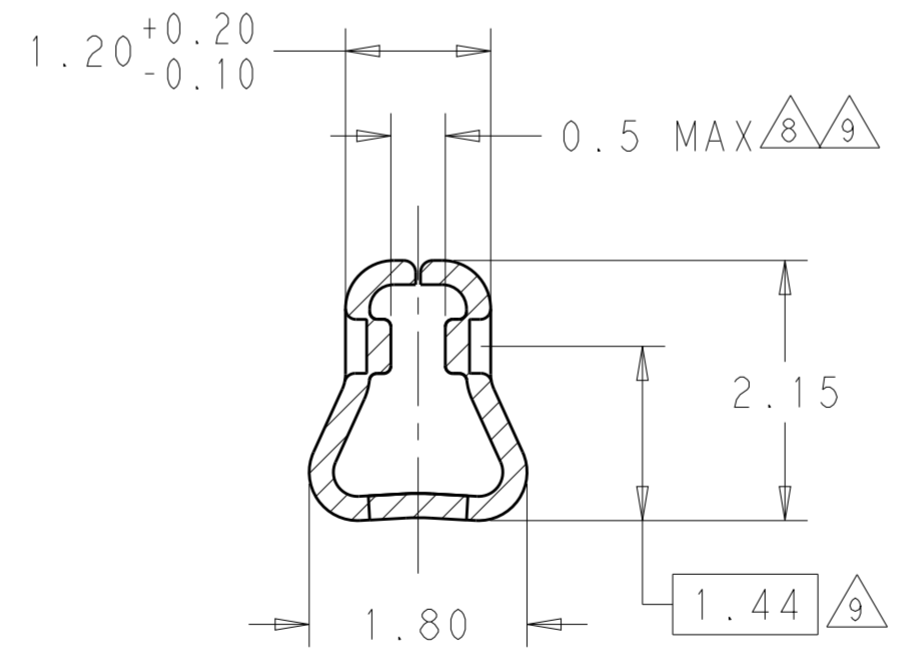
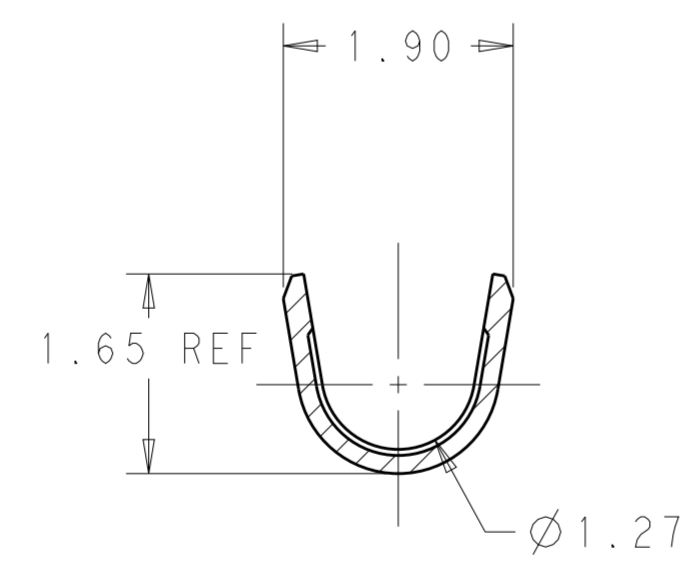
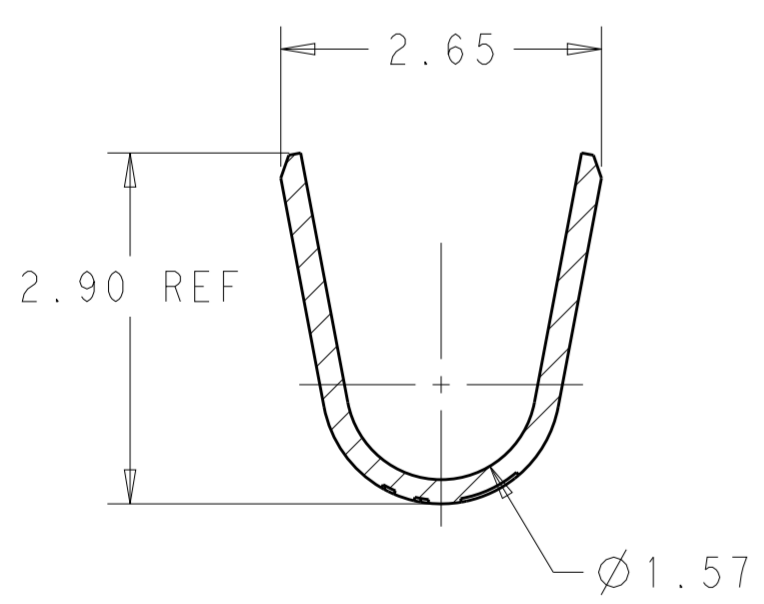
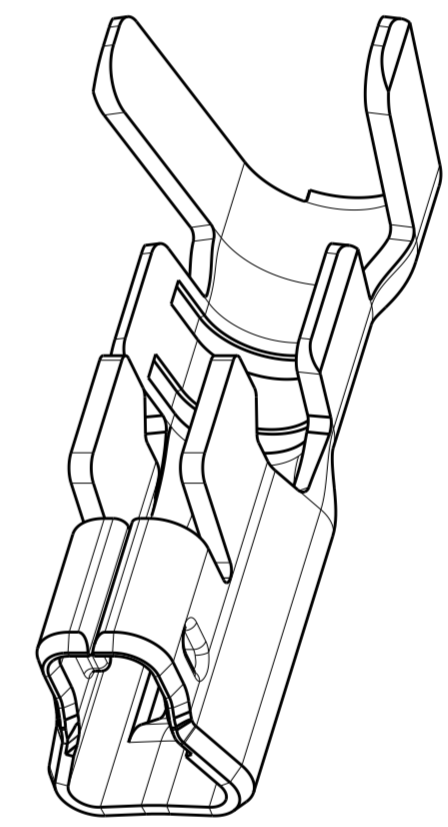


THIS DRAWING IS UNPUBLISHED. RELEASED FOR PUBLICATION 2009
 © COPYRIGHT 2009 ALL RIGHTS RESERVED.

REVISIONS				
P	LTR	DESCRIPTION	DATE	APVD
E2		REVISED PER ECR-19-013267	08JAN2020	WH DZ



- 1 MATERIAL: PHOSPHOR BRONZE
- 2. DESIGNED FOR USE IN HOUSINGS []-1969442-[] OR []-1744417-[].
- 3. CONTACTS COATED WITH ANTI-FRETTING LUBRICANT.
- 4. CONTACT IS RoHS COMPLIANT.
- 5. WIRE RANGE: 0.13-0.36mm² [26-22 AWG] STRANDED.
- 6. INSULATION RANGE: 1.3-1.91
- 7 FINISH: PRE-TIN
- 8 AFTER CRIMP DIMENSION
- 9 MEASURE LOCATION FOR 0.50mm MAX DIMENSION



SECTION A-A

SECTION B-B

SECTION C-C

2110989-1
 PART NUMBER

THIS DRAWING IS A CONTROLLED DOCUMENT.		DWN C. ROHLER 30SEP2009	TE Connectivity	
DIMENSIONS: mm		CHK C. ROHDE 30SEP2009		
TOLERANCES UNLESS OTHERWISE SPECIFIED:		APVD C. ROHDE 30SEP2009	NAME CONTACT, ECONOMY POWER 2.5 RECEPTACLE	
0 PLC ± 1 PLC ±0.5 2 PLC ±0.30 3 PLC ± 4 PLC ± ANGLES ±1° FINISH		PRODUCT SPEC 108-2418	SIZE A200779	
MATERIAL 1		APPLICATION SPEC 114-13315	DRAWING NO C-2110989	
7		WEIGHT -	RESTRICTED TO -	
Customer Drawing		SCALE N/A	SHEET 1 OF 1 REV E2	

单击下面可查看定价，库存，交付和生命周期等信息

[>>TE Connectivity\(泰科\)](#)