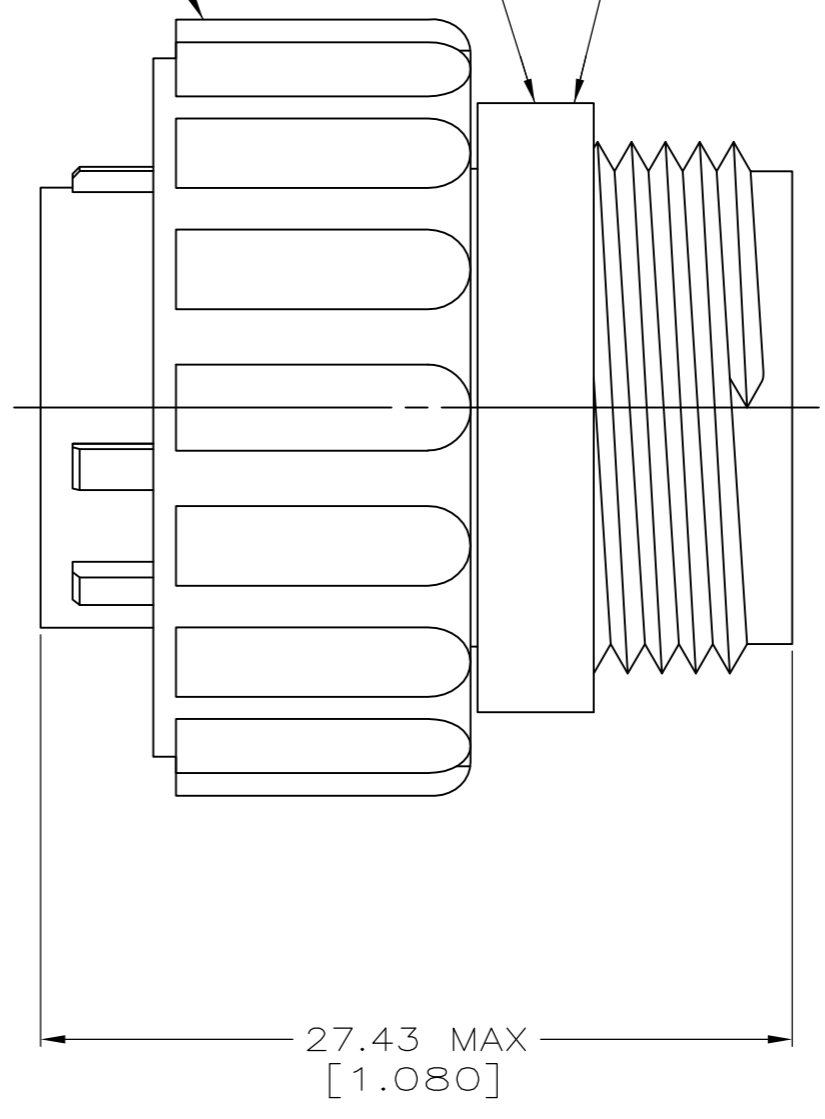


PLUG HOUSING
 MATERIAL: GLASS FILLED NYLON,
 6/6, BLACK

COUPLING RING
 MATERIAL: POLYESTER, BLACK

AMP PART NO
 THIS DIA



- CONTACT CAVITIES IDENTIFIED BY CHARACTERS ON FRONT AND REAR FACES OF CONNECTOR.
- WILL ACCEPT SEVEN (7) MULTIMATE SOCKET CONTACTS.

THIS DRAWING IS A CONTROLLED DOCUMENT FOR AMP INCORPORATED. IT IS SUBJECT TO CHANGE AND THE CONTROLLING ENGINEERING ORGANIZATION SHOULD BE CONTACTED FOR THE LATEST REVISION.

THIS DRAWING IS A CONTROLLED DOCUMENT.		DWN D.HARDY 07-01-94	211399-1	
DIMENSIONS: MM[INCHES]		CHK R.STONE 08-10-94	PART NO	
TOLERANCES UNLESS OTHERWISE SPECIFIED:		APVD A.FRANTUM 10-03-94	TE Connectivity	
0 PLC ± -		PRODUCT SPEC	NAME PLUG ASSEMBLY, STANDARD SEX, 13-7, CPC	
1 PLC ± -		APPLICATION SPEC	SIZE CAGE CODE DRAWING NO RESTRICTED TO	
2 PLC ± -		WEIGHT	A2 00779 C-211399	
3 PLC ± -		CUSTOMER DRAWING	SCALE 4:1 SHEET 1 of 1 REV D1	
4 PLC ± -				
ANGLES ± ± -				
FINISH				
MATERIAL SEE CALLOUTS				

单击下面可查看定价，库存，交付和生命周期等信息

[>>TE Connectivity\(泰科\)](#)