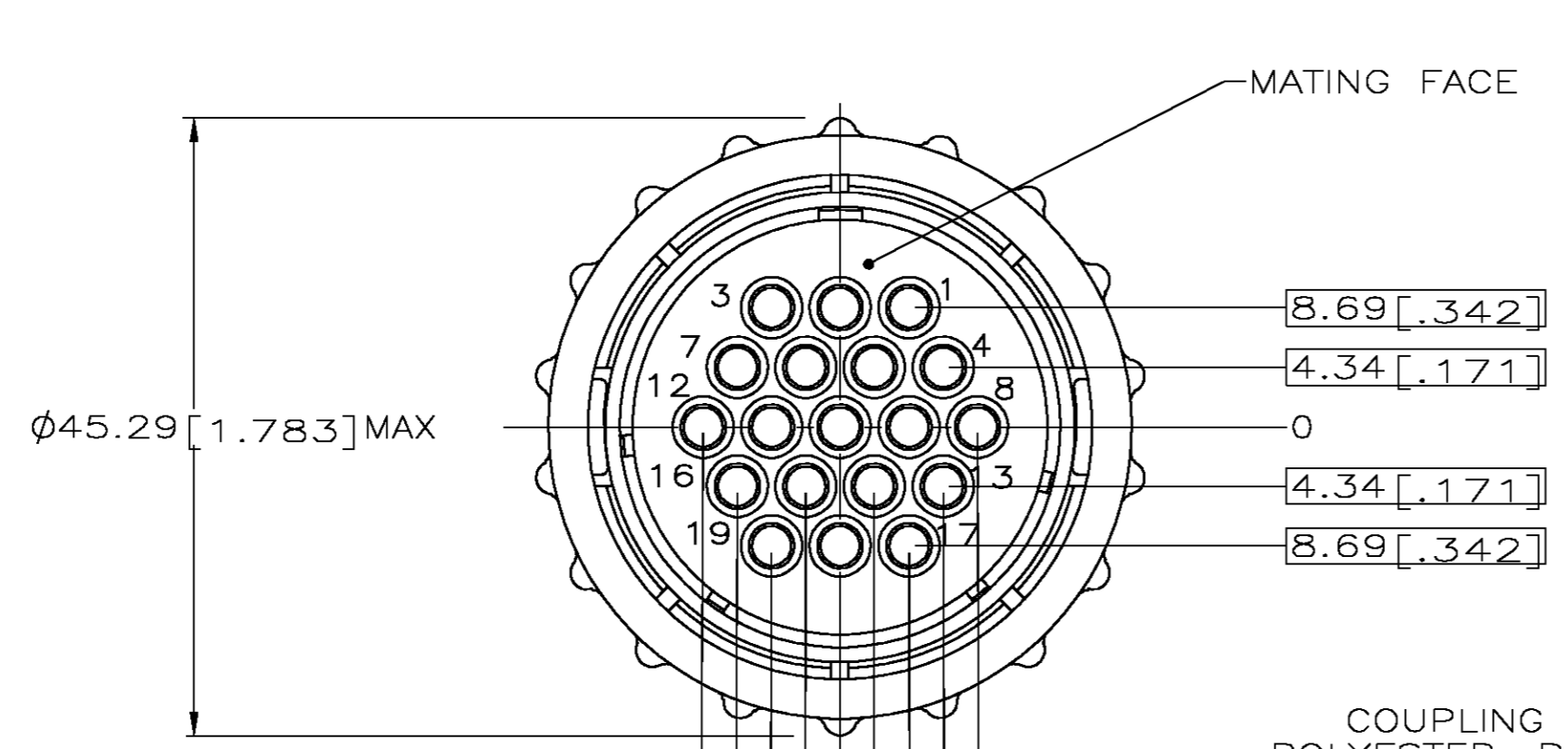


THIS DRAWING IS UNPUBLISHED. RELEASED FOR PUBLICATION  
 © COPYRIGHT BY TYCO ELECTRONICS CORPORATION. ALL RIGHTS RESERVED.

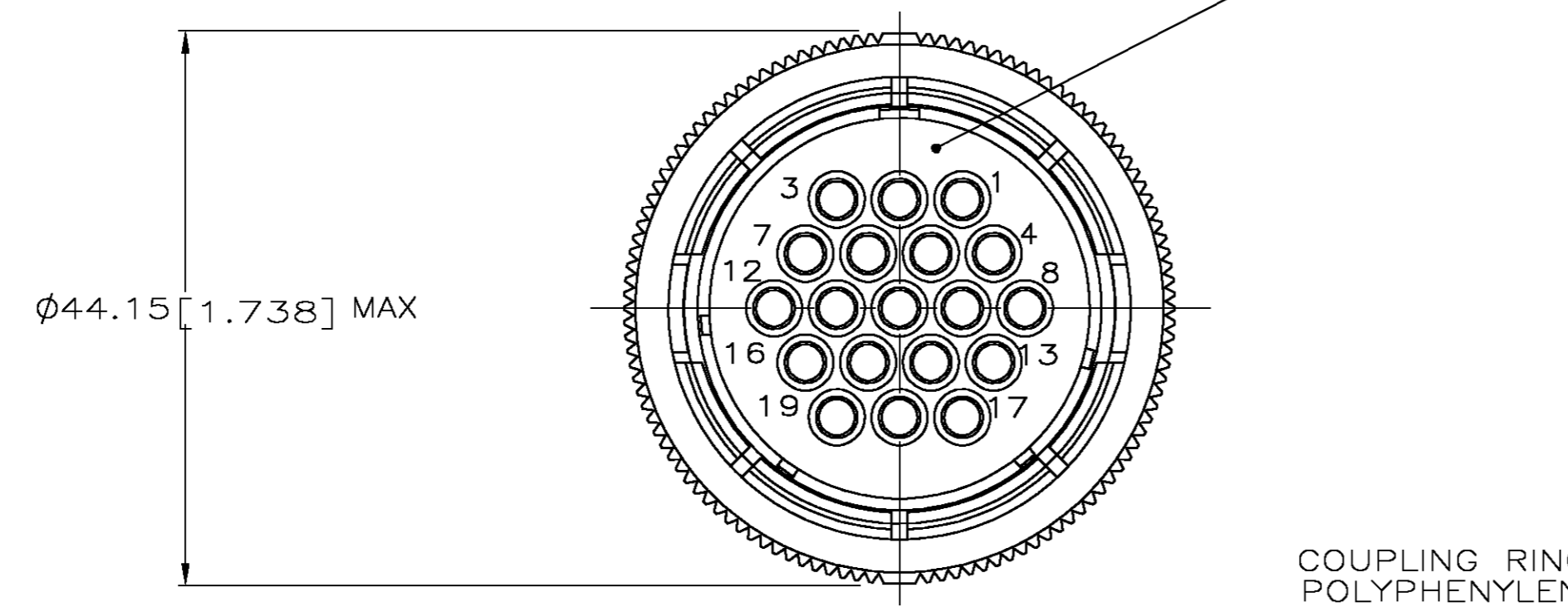
LOC		DIST		REVISIONS			
P	LTR	DESCRIPTION		DATE	DWN	APVD	
FT	0	G	REVISED PER 0G3B-0207-04	3/10/04	SS	SH	



- 10.01 [.394]
- 7.506 [.2955]
- 5.00 [.197]
- 2.502 [.0985]
- 2.502 [.0985]
- 5.00 [.197]
- 7.506 [.2955]
- 10.01 [.394]

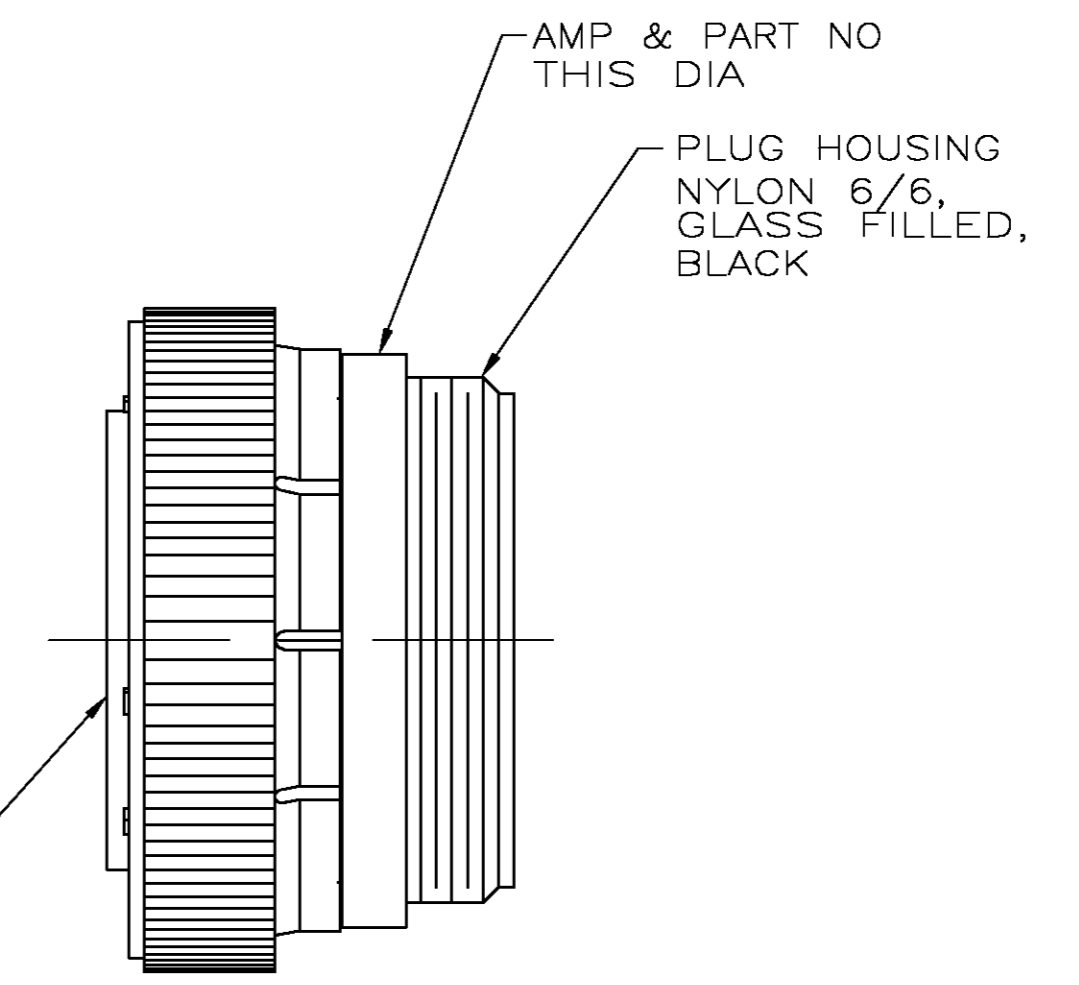
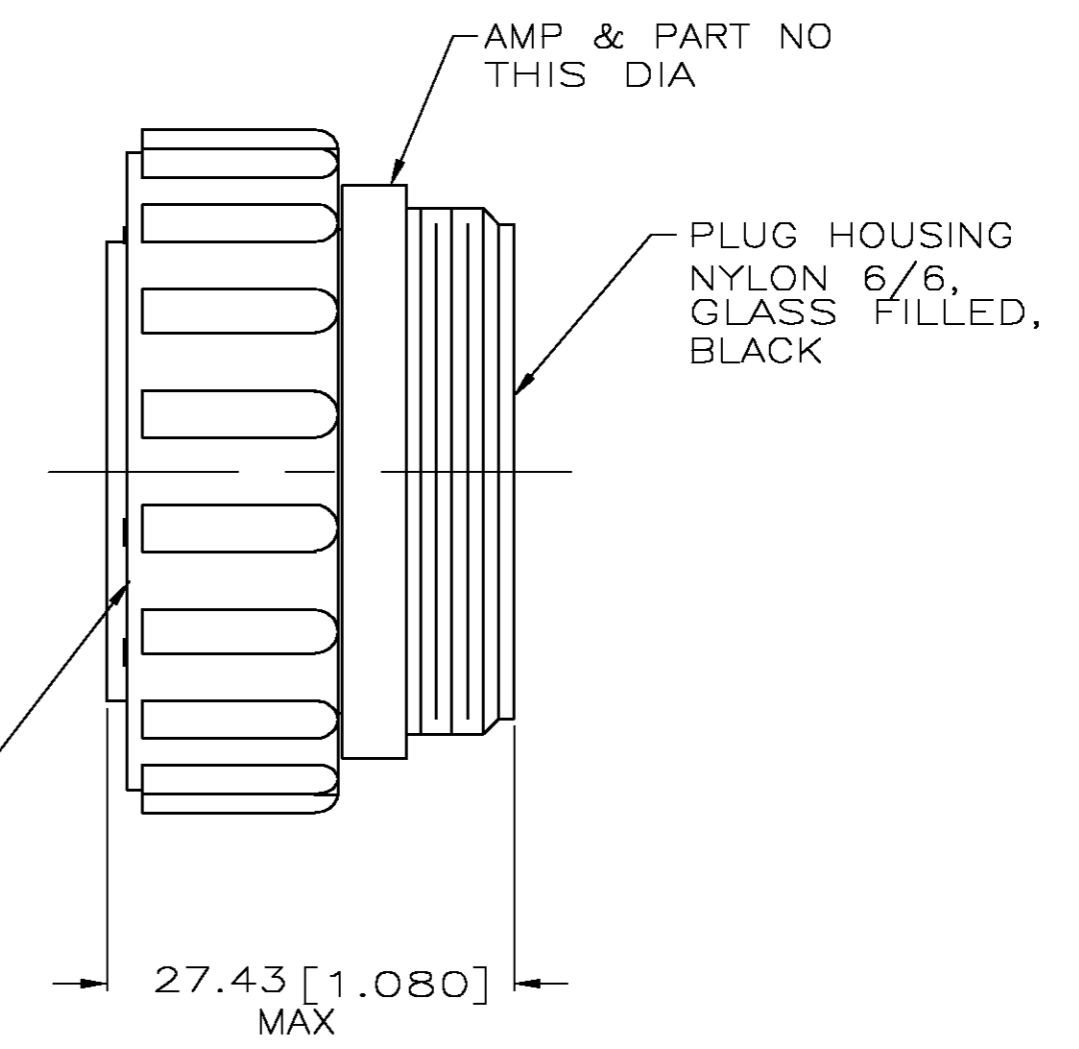
COUPLING RING  
POLYESTER, BLACK

(-2 ONLY)



COUPLING RING  
POLYPHENYLENE, BLACK

(-1 & -3 ONLY)



211770-3	
3 211770-2	
SUPERSEDED BY -2	211700-1
PART NUMBER	

- NOTES:**
- CONTACT CAVITIES IDENTIFIED BY CHARACTERS ON FRONT AND REAR FACES OF CONNECTOR.
  - CONNECTOR WILL ACCEPT (19) MULTIMATE SOCKET CONTACTS.
  - SPECIAL CAVITY DIMENSIONAL FEATURES.

THIS DRAWING IS A CONTROLLED DOCUMENT.		DWN S. RIDGLEY BG 31 JUL 90	Tyco Electronics Corporation Harrisburg, Pa 17105-3608	
DIMENSIONS: mm		CHK R. STONE 26 APR 91	NAME K. BEAVER 03 APR 91	
TOLERANCES UNLESS OTHERWISE SPECIFIED:		APVD K. BEAVER 03 APR 91	PRODUCT SPEC 108-10024	
0 PLC ± -		APPLICATION SPEC		
1 PLC ± -		-		
2 PLC ± -		WEIGHT -		
3 PLC ± -		SIZE A2		
4 PLC ± -		CAGE CODE 00779		
ANGLES ± -		DRAWING NO C=211770		
FINISH -		RESTRICTED TO -		
MATERIAL SEE CALLOUT		CUSTOMER DRAWING		
		SCALE 2:1 SHEET 1 OF 1 REV G		

单击下面可查看定价，库存，交付和生命周期等信息

[>>TE Connectivity\(泰科\)](#)