

4

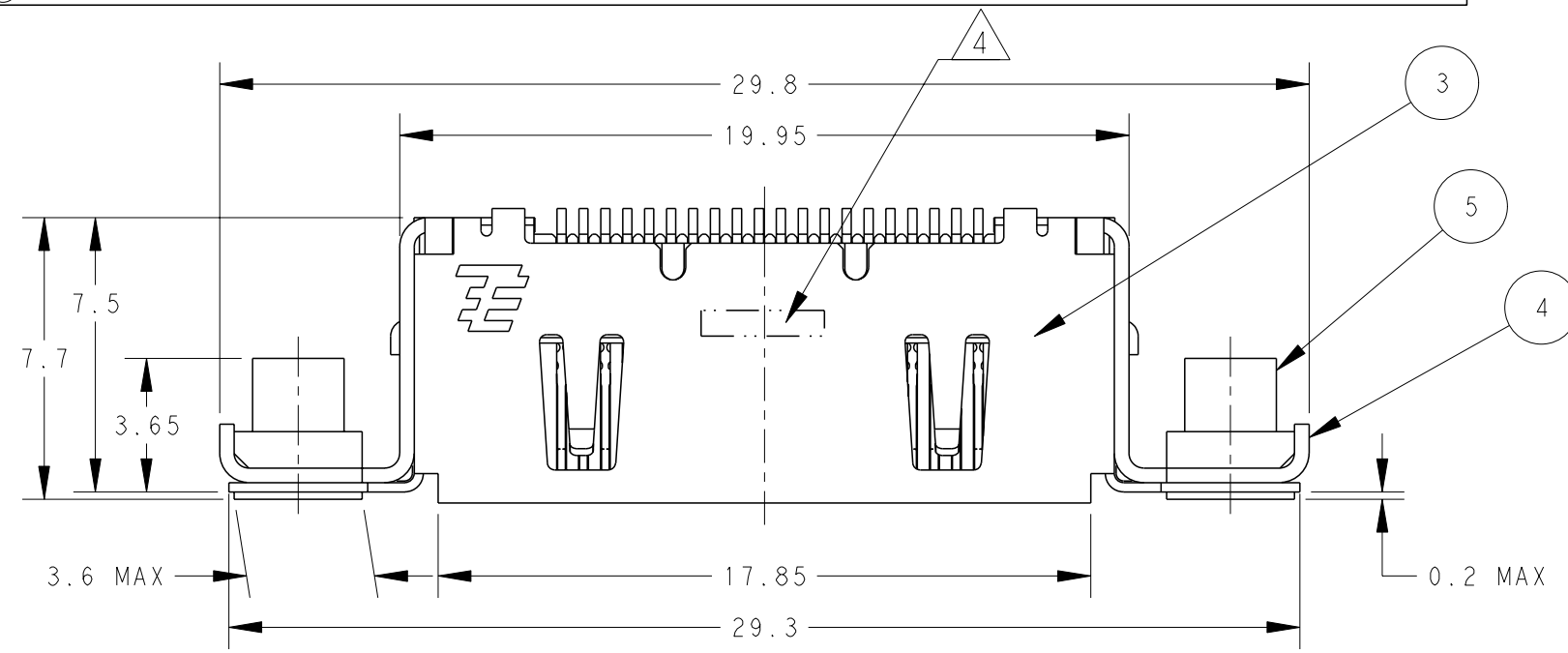
3

2

1

THIS DRAWING IS UNPUBLISHED. RELEASED FOR PUBLICATION 20
 © COPYRIGHT 20 BY - ALL RIGHTS RESERVED.

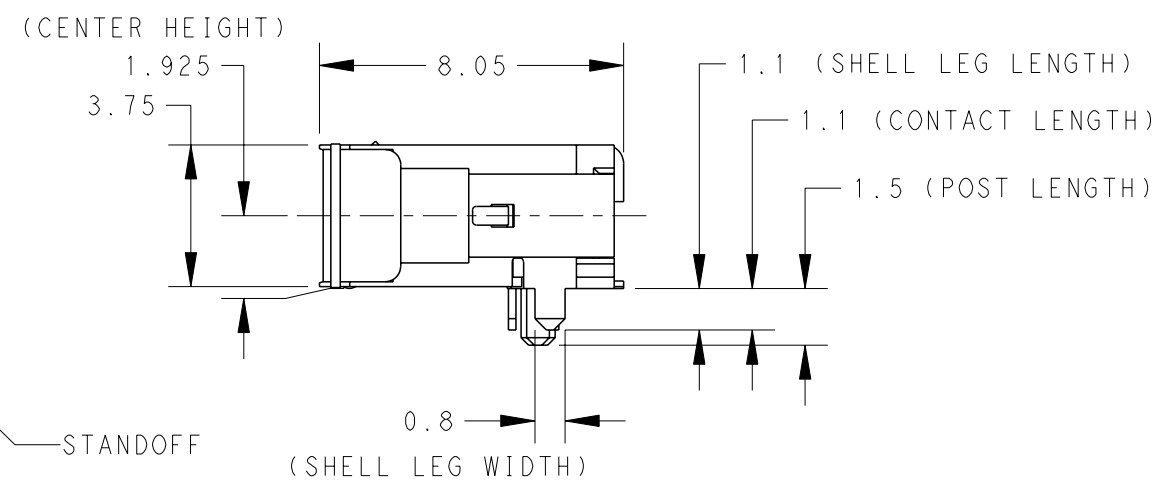
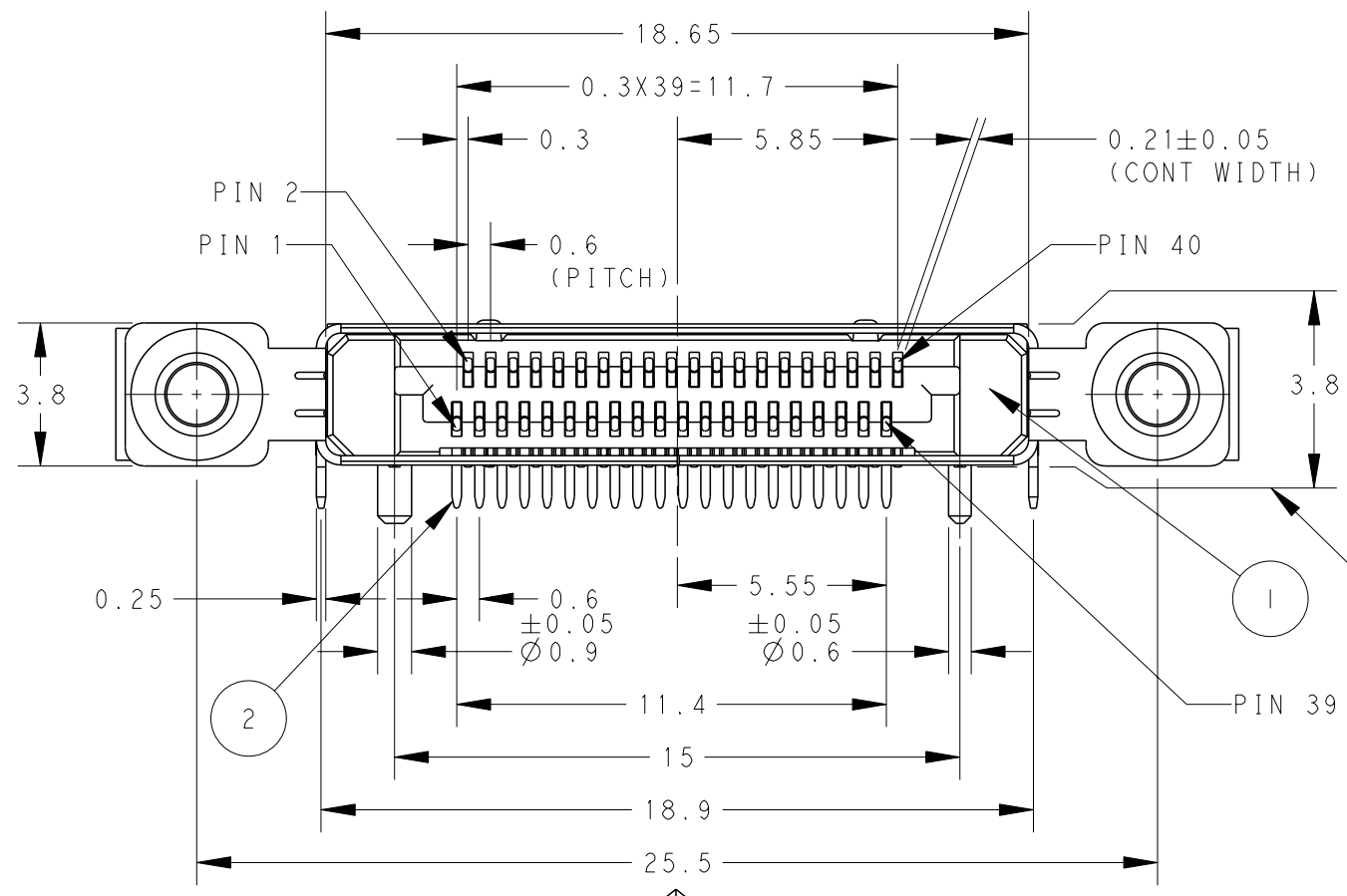
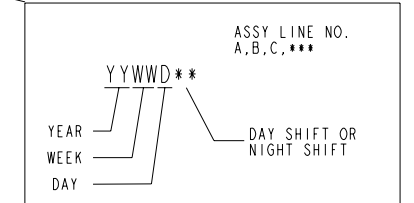
LOC	DIST	REVISIONS			
P	LTR	DESCRIPTION	DATE	DWN	APVD
DW		B	REVISED (ECR-11-013643)	30JUN2011	T.K H.K



2129260-1; AS SHOWN

- ① MATERIAL: HOUSING: THERMO-PLASTIC(UL94V-0, BLACK).
CONTACT: COPPER ALLOY.
SHELL: STAINLESS STEEL.
BRACKET: STAINLESS STEEL.
BUSH: STEEL.
- ② FINISH:
CONTACT: ALL OVER 2um MIN. Ni UNDER PLATING.
0.38um MIN. Au PLATING ON CONTACT AREA.
1~3um Tin PLATING ON TINE AREA.
SHELL: ALL OVER 1.3um MIN. Ni UNDER PLATING.
BUSH: ALL OVER 3um MIN. Ni UNDER PLATING.
- 3. LOW HALOGEN SPECIFICATION
CHLORINE(CI) : 900 ppm MAX.
BROMINE(Br) : 900 ppm MAX.
- ④ DATE CODE

WITH NUT

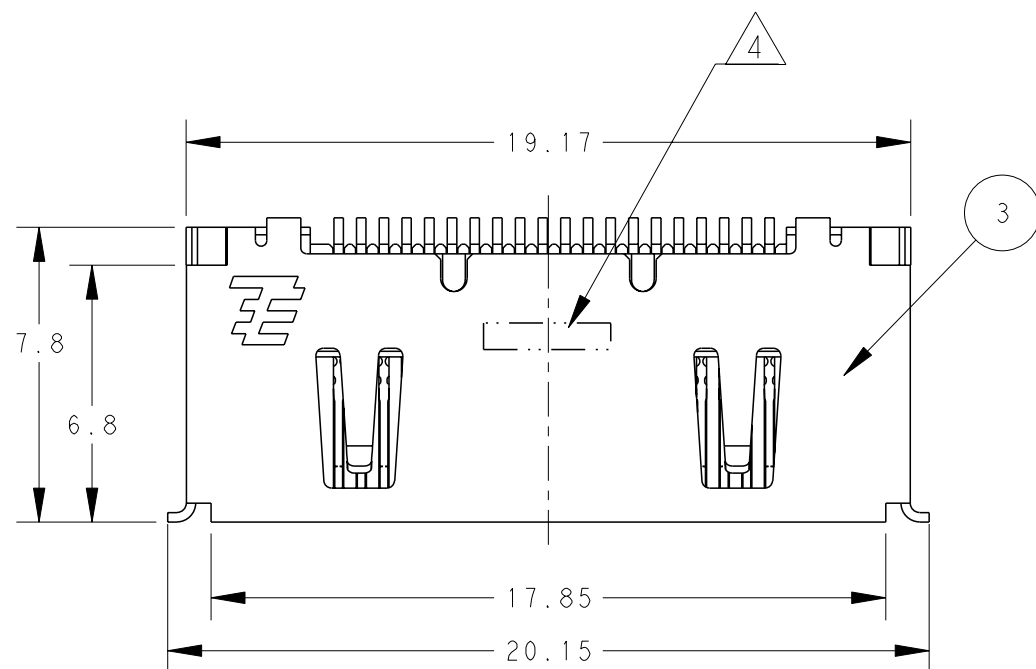


Q'TY	NAME	ITEM
2	BUSH (M2)	⑤
2	BRACKET	④
1	SHELL	③
40	CONTACT	②
1	HOUSING	①

VIEW A

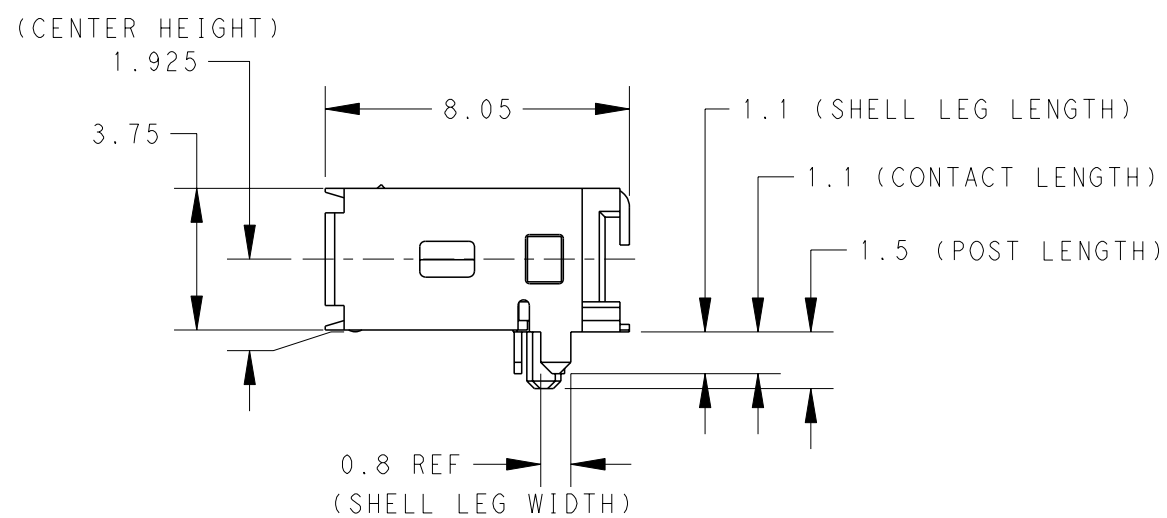
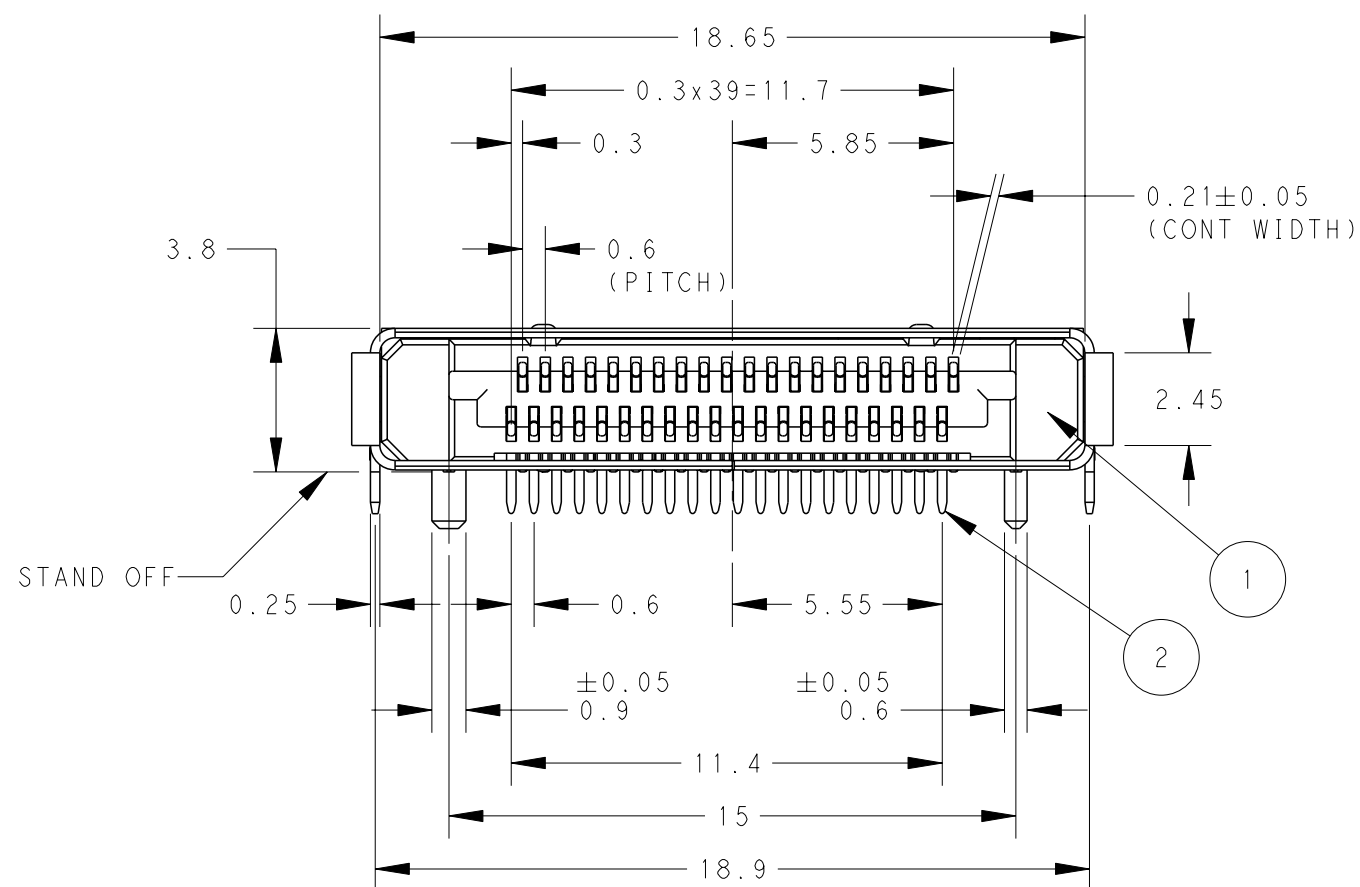
THIS DRAWING IS A CONTROLLED DOCUMENT.		DWN T.KUO 31MAR2011	TE Connectivity	
DIMENSIONS: mm		CHK V.PENG 31MAR2011		
TOLERANCES UNLESS OTHERWISE SPECIFIED:		APVD H.KODAMA 31MAR2011	NAME RECEPTACLE ASSY, 0.6mm PITCH CHAMP DOCKING CONNECTOR, 40POS	
0 PLC ± 1 PLC ± ±0.25 2 PLC ± ±3° 3 PLC ± ± 4 PLC ± ± ANGLES ± FINISH ②		PRODUCT SPEC 108-99033	SIZE A3 CAGE CODE 00779 C=2129260	
MATERIAL ①		APPLICATION SPEC	RESTRICTED TO	
		WEIGHT 1.39g	SCALE 5:1 SHEET 1 OF 6 REV B	
		CUSTOMER DRAWING		

P	LTR	DESCRIPTION	DATE	DWN	APVD
		SEE SHEET 1			




2129260-2; AS SHOWN

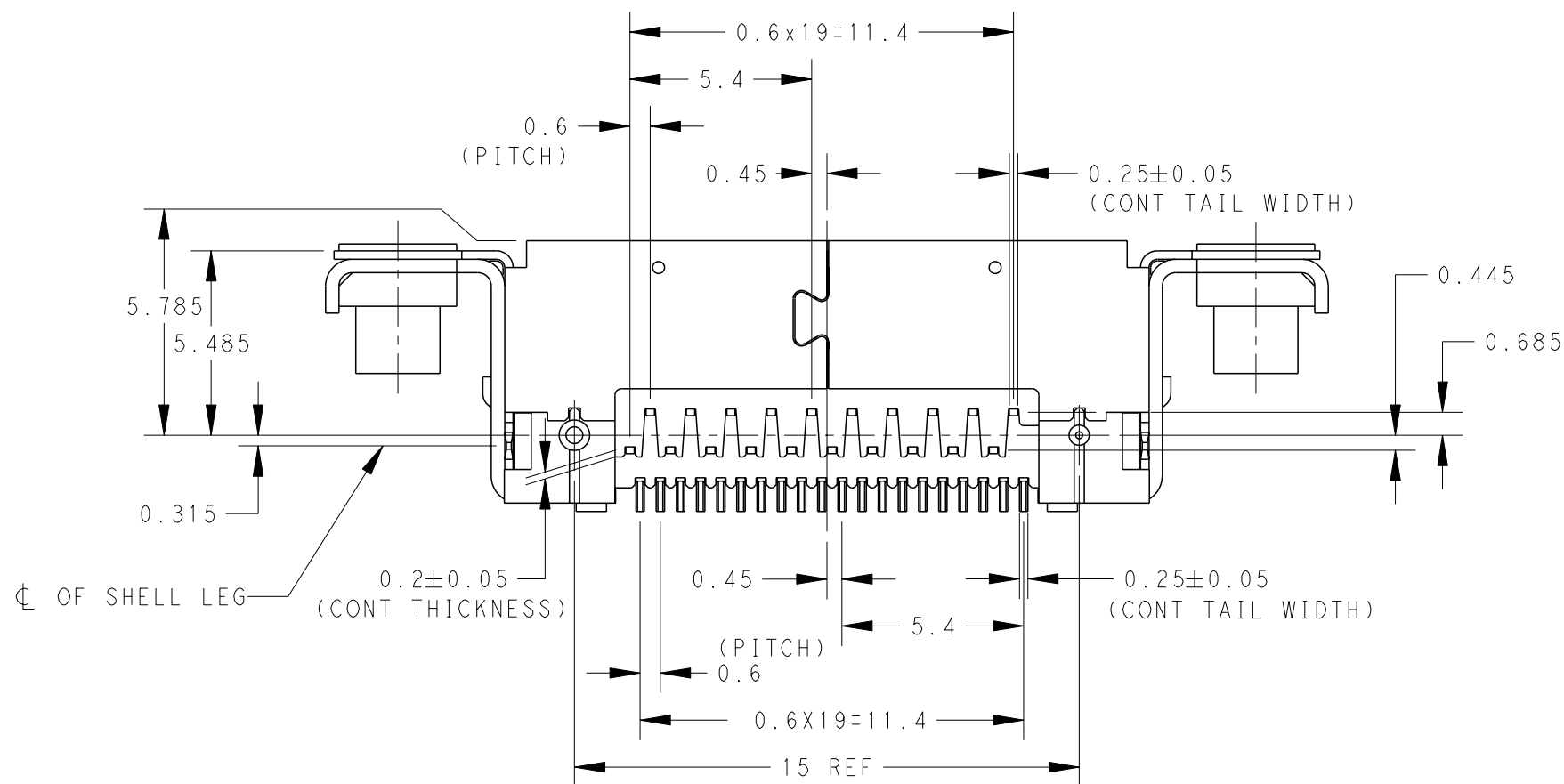
WITHOUT NUT



Q'TY	NAME	ITEM
1	SHELL	③
40	CONTACT	②
1	HOUSING	①

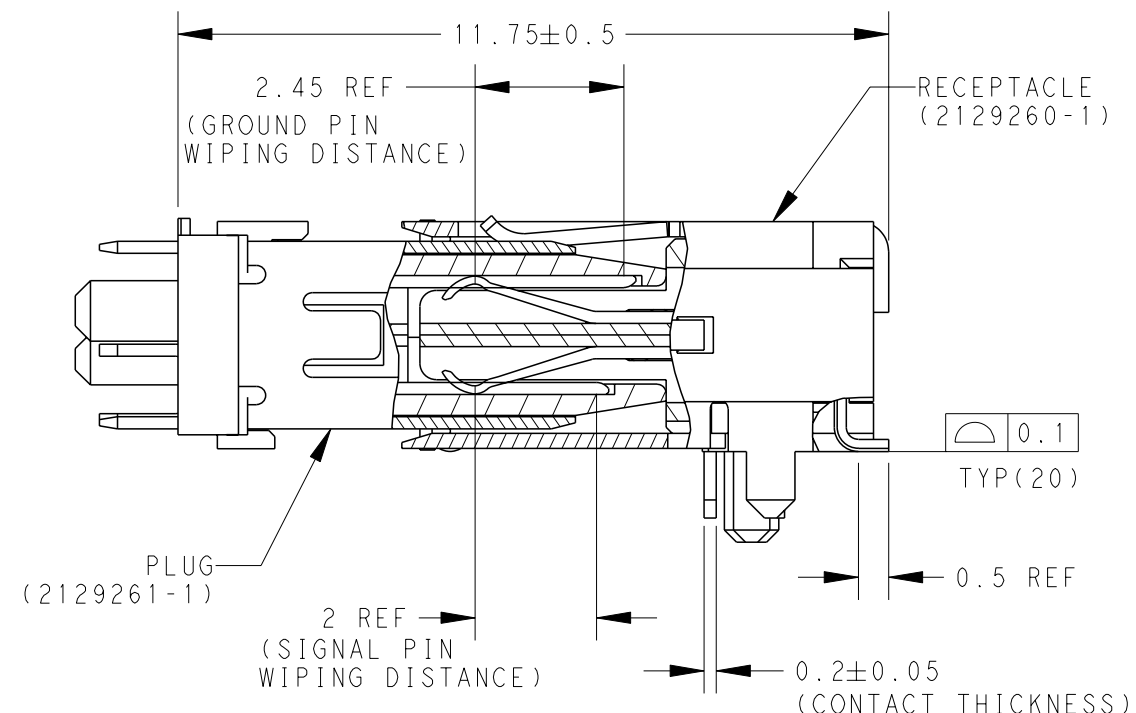
THIS DRAWING IS A CONTROLLED DOCUMENT.		DWN	 TE Connectivity					
DIMENSIONS: mm		CHK						
TOLERANCES UNLESS OTHERWISE SPECIFIED:		APVD						
0 PLC ±- 1 PLC ±- ±0.25 2 PLC ±- ±0.25 3 PLC ±- ±3° 4 PLC ±- ANGLES ±- FINISH -		PRODUCT SPEC						
MATERIAL -		APVD	NAME RECEPTACLE ASSY, 0.6mm PITCH CHAMP DOCKING CONNECTOR, 40POS					
		PRODUCT SPEC	SIZE	CAGE CODE	DRAWING NO	RESTRICTED TO		
		APPLICATION SPEC	A3	00779	C=2129260	-		
		WEIGHT	0.87g					
		CUSTOMER DRAWING	SCALE	5:1	SHEET	2 OF 6	REV	B

P	LTR	DESCRIPTION	DATE	DWN	APVD
		SEE SHEET 1			



VIEW A

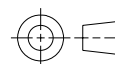
2129260-2 IS SAME AS 2129260-1



MATING CONDITION

THIS DRAWING IS A CONTROLLED DOCUMENT.

DIMENSIONS:
mm



TOLERANCES UNLESS OTHERWISE SPECIFIED:

- 0 PLC ±
- 1 PLC ± ±0.25
- 2 PLC ± ±3°
- 3 PLC ±
- 4 PLC ±
- ANGLES ±
- FINISH -

MATERIAL -

DWN	-
CHK	-
APVD	-
PRODUCT SPEC	-
APPLICATION SPEC	-
WEIGHT	-



NAME
RECEPTACLE ASSY, 0.6mm PITCH
CHAMP DOCKING CONNECTOR, 40POS

SIZE	CAGE CODE	DRAWING NO	RESTRICTED TO
A3	00779	C=2129260	-

4

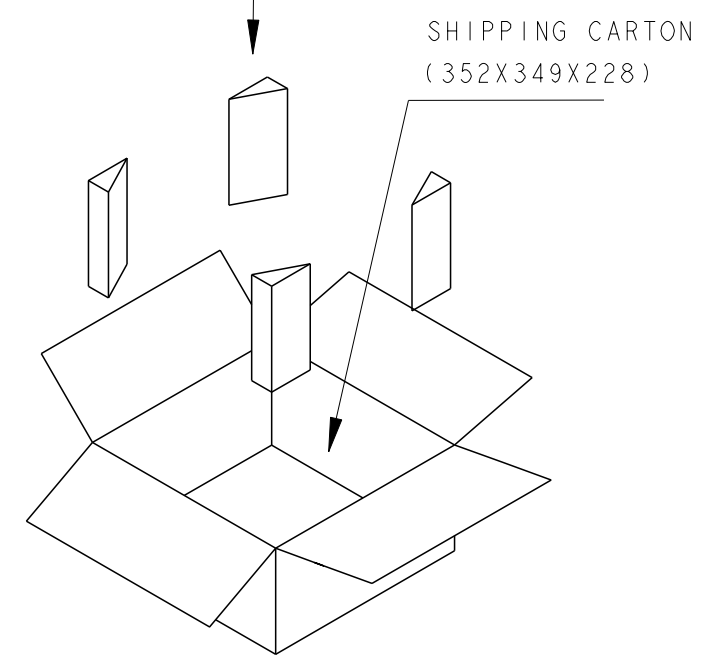
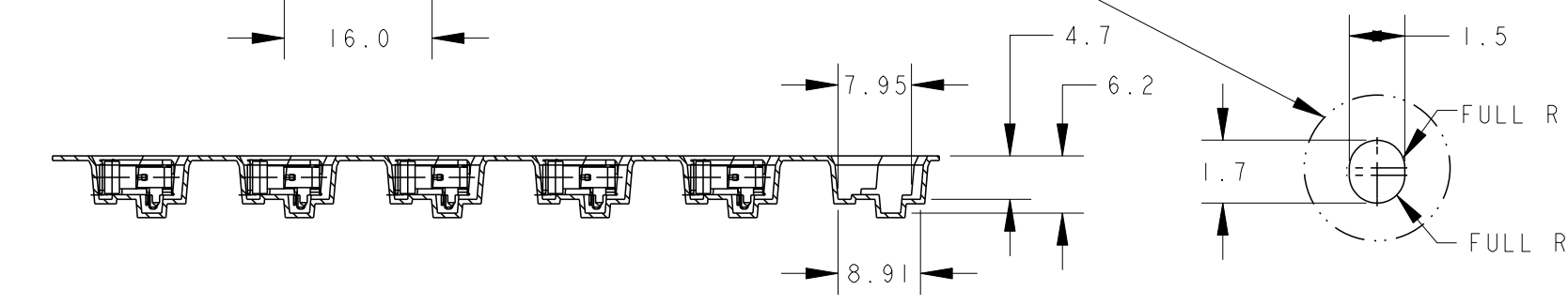
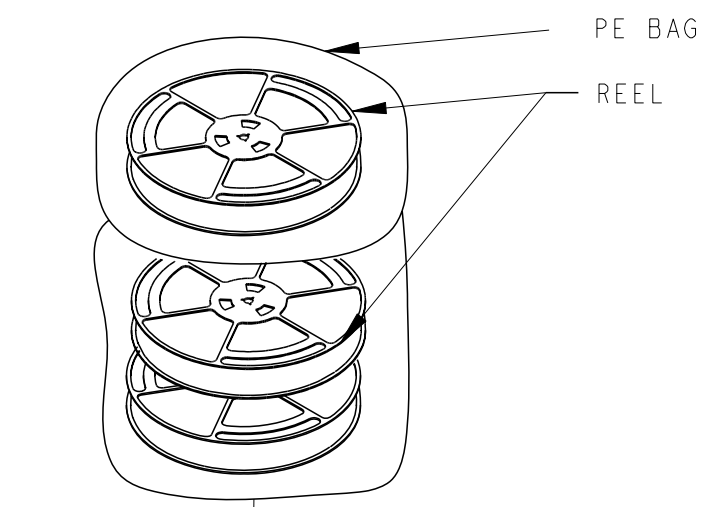
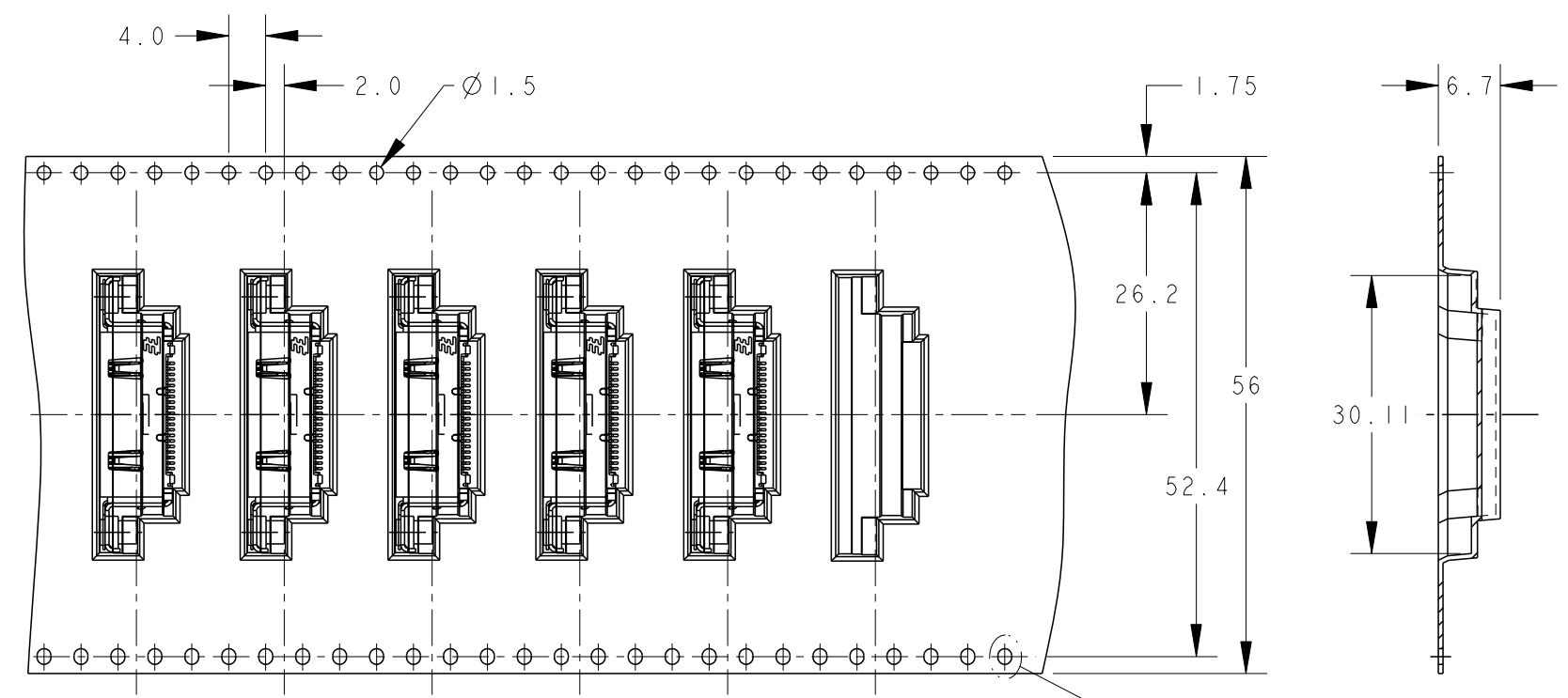
3

2

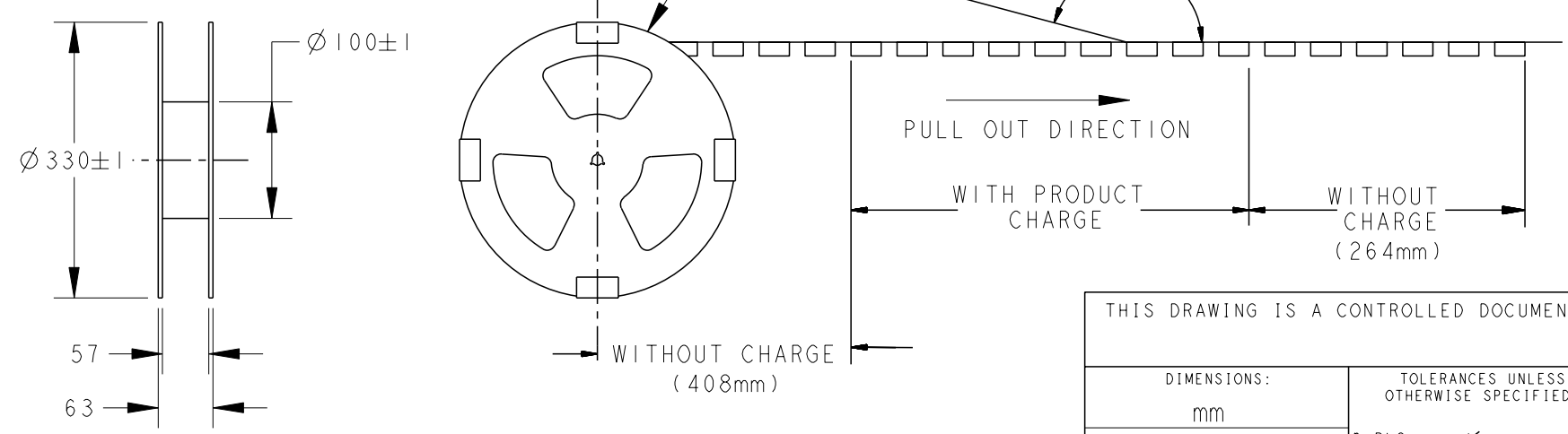
1

THIS DRAWING IS UNPUBLISHED. RELEASED FOR PUBLICATION 20
 © COPYRIGHT 20 BY - ALL RIGHTS RESERVED.

LOC		DIST		REVISIONS			
P	LTR	DESCRIPTION	DATE	DWN	APVD		
DW		SEE SHEET 1					



AROUND THE OUTER PERIPHERY IN A TURN.
 WEEDING THE COVER TAPE
 PEELING ANGLE: 165°~180°



7. PACKING MATERIAL:
 CARRY TAPE: PS; COLOR:BLACK.
 COVER TAPE: PET; COLOR: CLEAR.
 PEELING STRENGTH OF COVER TAPE: 0.2N~1.2N

2129260-1	600	3	1800
P/N	PCS/TAPE	REELS/CARTON	TOTAL QUANTITY

THIS DRAWING IS A CONTROLLED DOCUMENT.

DIMENSIONS: mm	TOLERANCES UNLESS OTHERWISE SPECIFIED:	DWN	-
0 PLC	±	CHK	-
1 PLC	±	APVD	-
2 PLC	± ±0.5	PRODUCT SPEC	-
3 PLC	± ±3°	APPLICATION SPEC	-
4 PLC	±	WEIGHT	-
ANGLES	±	<p>STE TE Connectivity</p> <p>NAME: RECEPTACLE ASSY, 0.6mm PITCH CHAMP DOCKING CONNECTOR, 40POS</p>	
FINISH	-	SIZE	A3
MATERIAL	-	CAGE CODE	00779
		DRAWING NO	C=2129260
		RESTRICTED TO	-

CUSTOMER DRAWING SCALE 5:1 SHEET 5 OF 6 REV B

THIS DRAWING IS UNPUBLISHED.

RELEASED FOR PUBLICATION

20

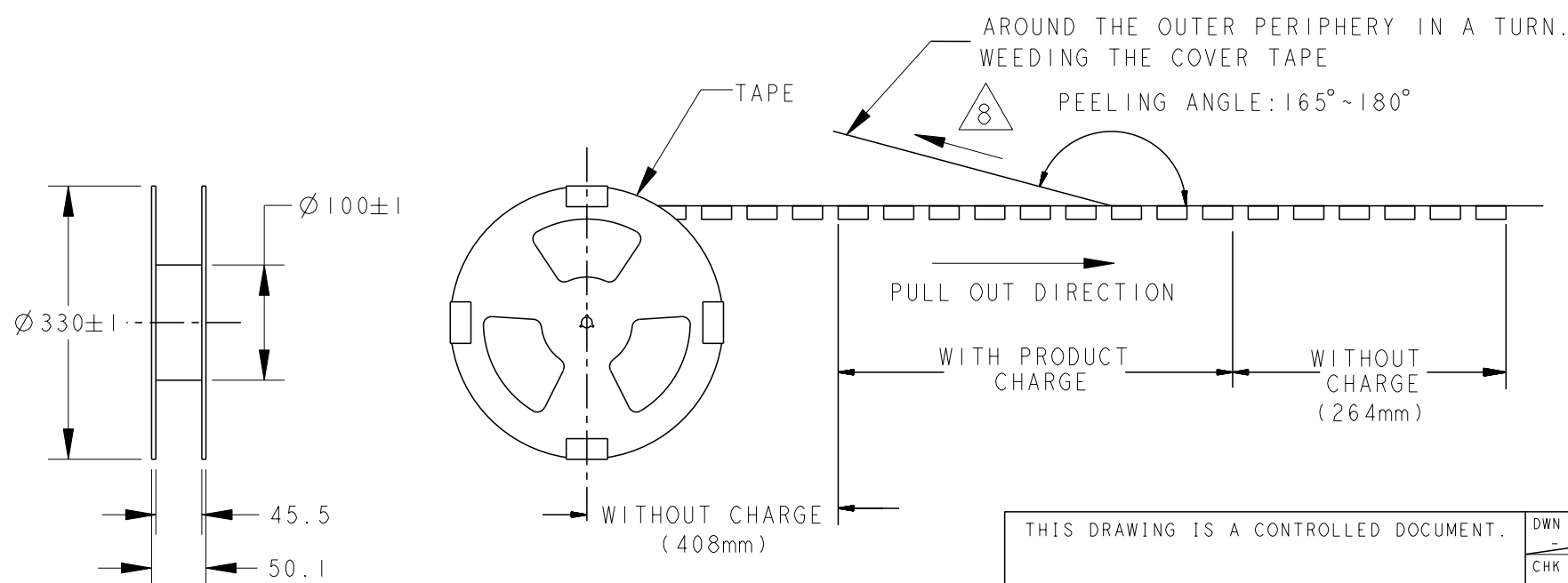
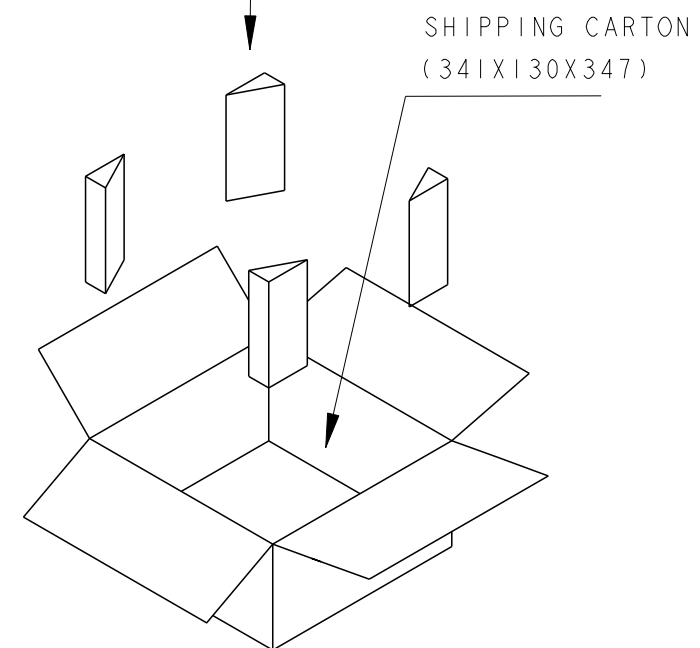
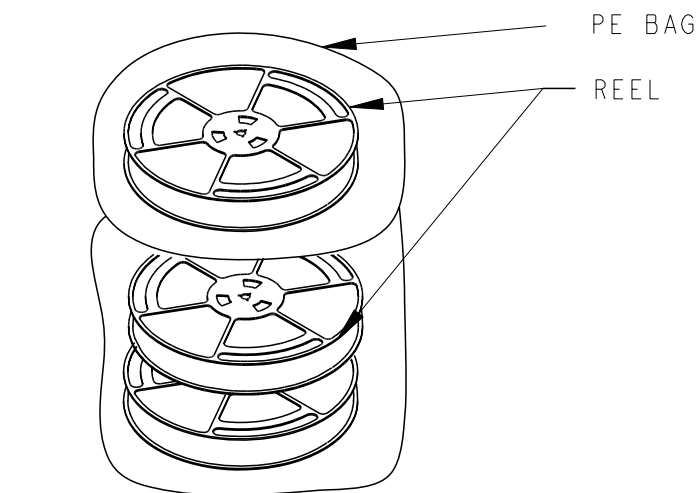
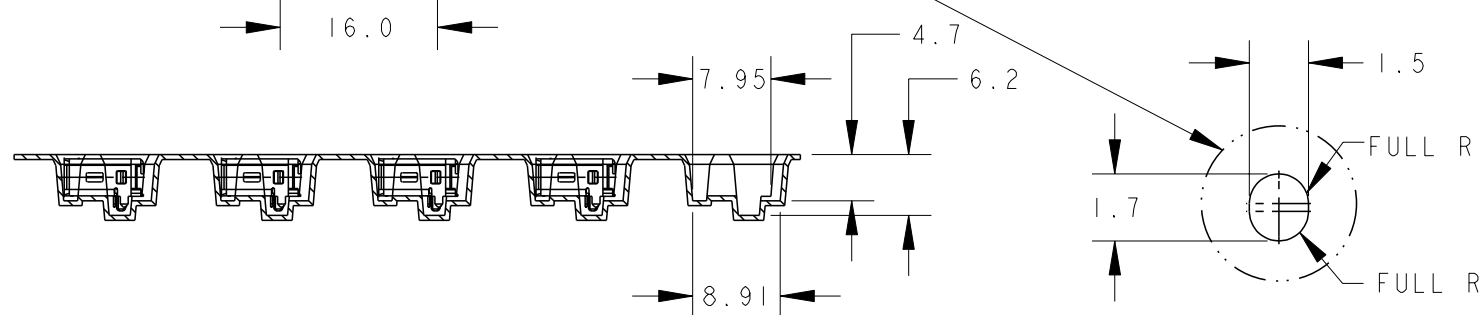
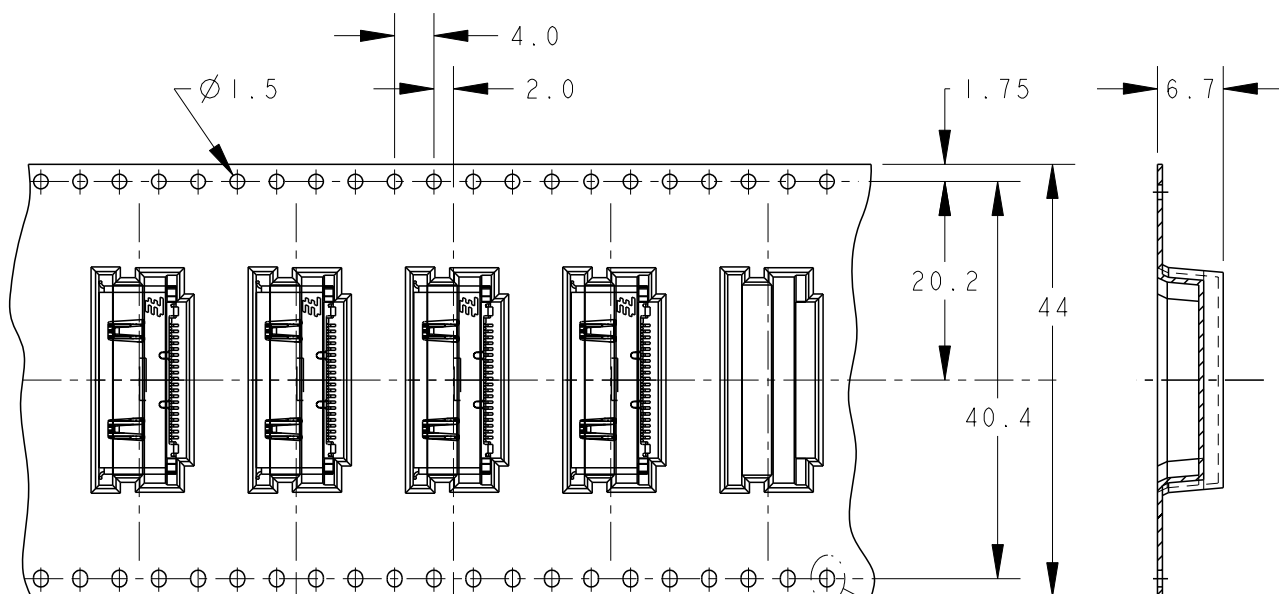
© COPYRIGHT 20 BY -

ALL RIGHTS RESERVED.

LOC DW DIST

REVISIONS

P	LTR	DESCRIPTION	DATE	DWN	APVD
		SEE SHEET 1			



P/N	PCS/TAPE	REELS/CARTON	TOTAL QUANTITY
2129260-2	600	2	1200

THIS DRAWING IS A CONTROLLED DOCUMENT.

DWN	-	 TE Connectivity	NAME RECEPTACLE ASSY, 0.6mm PITCH CHAMP DOCKING CONNECTOR, 40POS		
CHK	-				
APVD	-				
PRODUCT SPEC	-				
APPLICATION SPEC	-	SIZE	CAGE CODE	DRAWING NO	RESTRICTED TO
WEIGHT	-	A3	00779	C=2129260	-
CUSTOMER DRAWING	SCALE	SHEET		OF	REV
	5:1	6		6	B

单击下面可查看定价，库存，交付和生命周期等信息

[>>TE Connectivity\(泰科\)](#)