

LOC DW

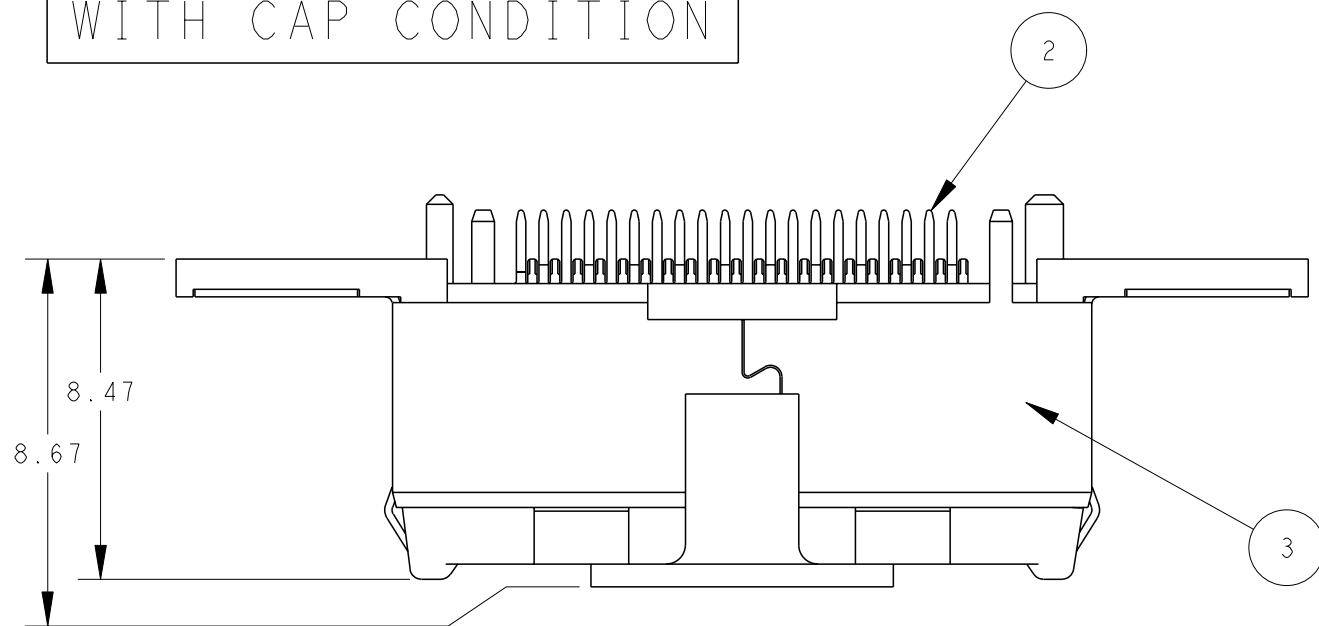
DIST

REVISIONS

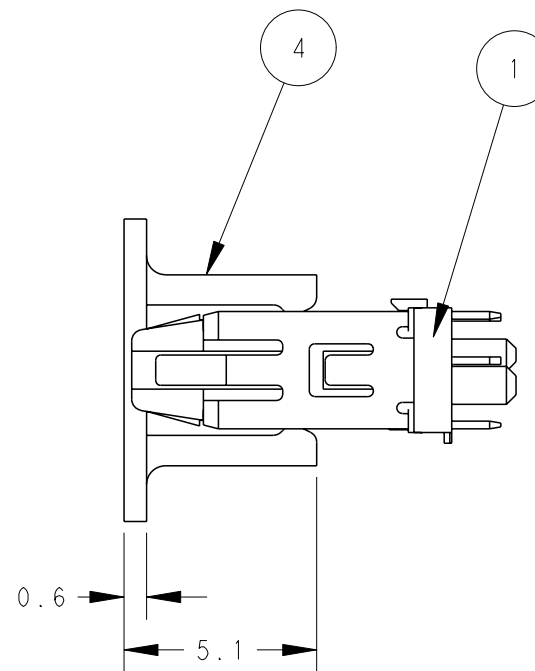
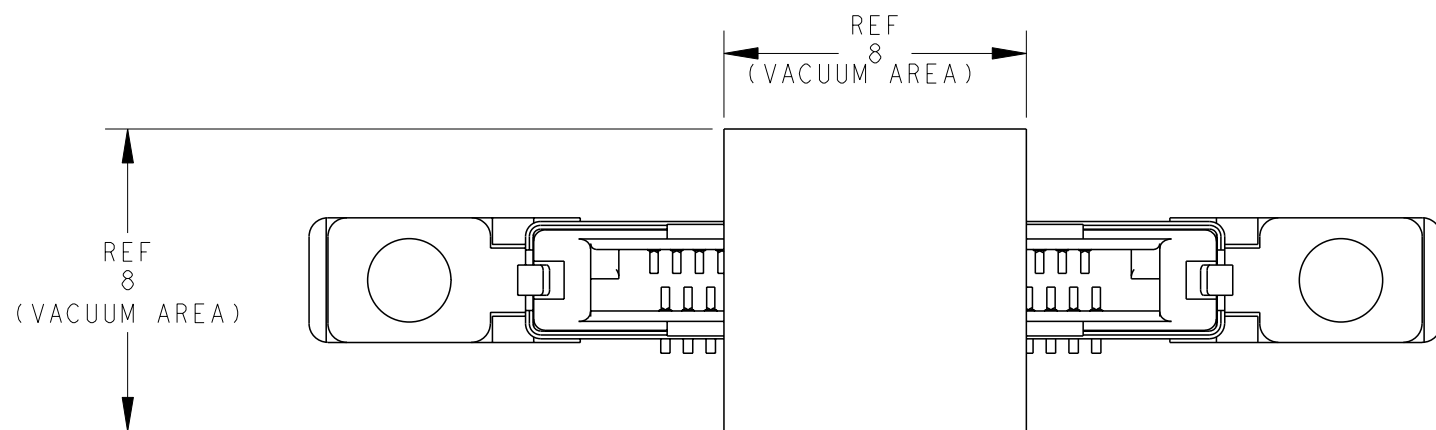
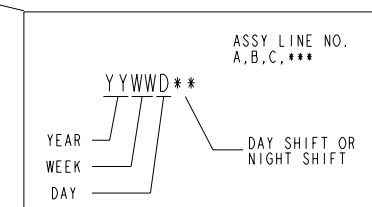
P	LTR	DESCRIPTION	DATE	DWN	APVD
B		REVISED (ECR-11-013643)	30JUN2011	T.K	H.K

WITH CAP CONDITION

2129261-1; AS SHOWN



- ① MATERIAL: HOUSING: THERMO-PLASTIC(UL94V-0, BLACK).
CONTACT: COPPER ALLOY.
SHELL: STAINLESS STEEL.
CAP: THERMO-PLASTIC(UL94V-0, BLACK).
- ② FINISH:
CONTACT: ALL OVER 2um MIN. Ni UNDER PLATING.
0.38um MIN. Au PLATING ON CONTACT AREA.
1~3um Tin PLATING ON TINE AREA.
SHELL: ALL OVER 1.3um MIN. Ni UNDER PLATING.
- 3. LOW HALOGEN SPECIFICATION
CHLORINE(Cl) : 900 ppm MAX.
BROMINE(Br) : 900 ppm MAX.
- ④ DATE CODE



Q'TY	NAME	ITEM
1	CAP	④
1	SHELL	③
40	CONTACT	②
1	HOUSING	①

THIS DRAWING IS A CONTROLLED DOCUMENT.		DWN T.KUO 21MAR2011	TE Connectivity	
DIMENSIONS: mm		CHK V.PENG 21MAR2011		
TOLERANCES UNLESS OTHERWISE SPECIFIED:		APVD H.KODAMA 21MAR2011		
0 PLC ± 1 PLC ± ±0.25 2 PLC ± ±3° 3 PLC ± 4 PLC ± ANGLES ±		PRODUCT SPEC 108-99033		
MATERIAL ①	FINISH ②	APPLICATION SPEC	NAME PLUG ASSY, 0.6mm PITCH CHAMP DOCKING CONNECTOR, 40POS	RESTRICTED TO
		WEIGHT 1.14	SIZE A3	CAGE CODE 00779
		CUSTOMER DRAWING	DRAWING NO C=2129261	SCALE 5:1
			SHEET 1 OF 5	REV B

4

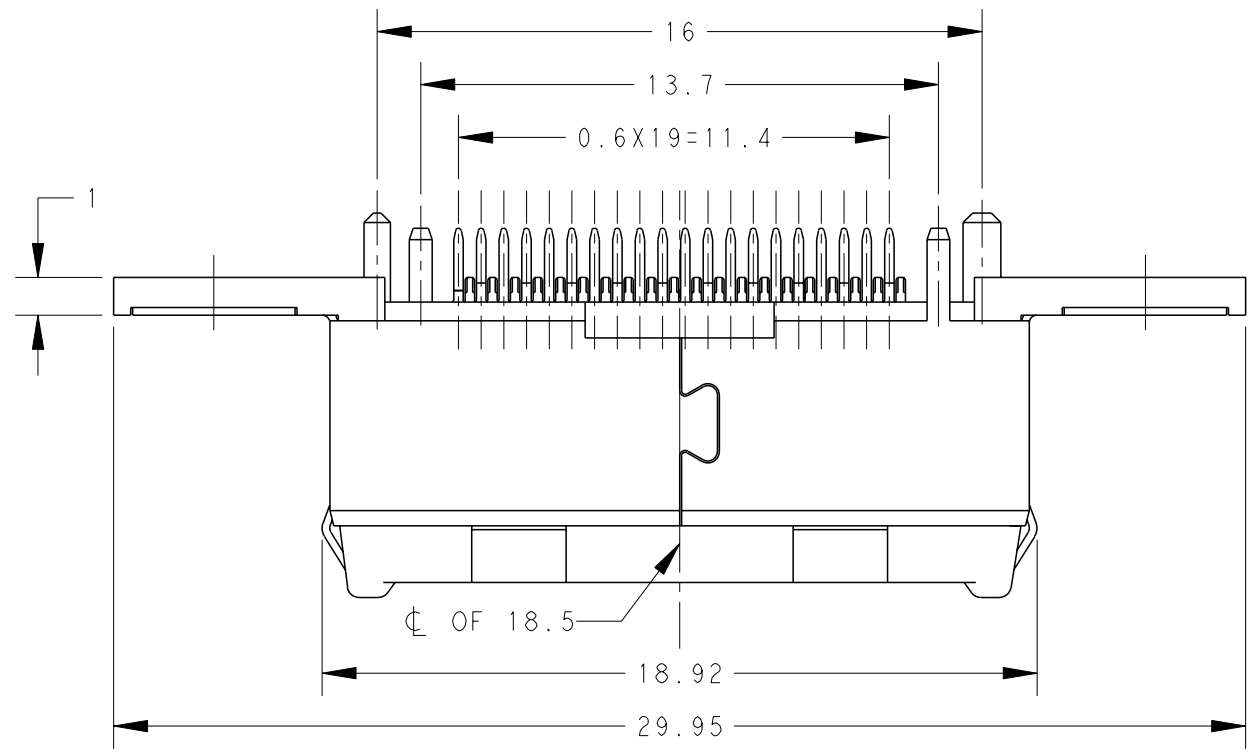
3

2

1

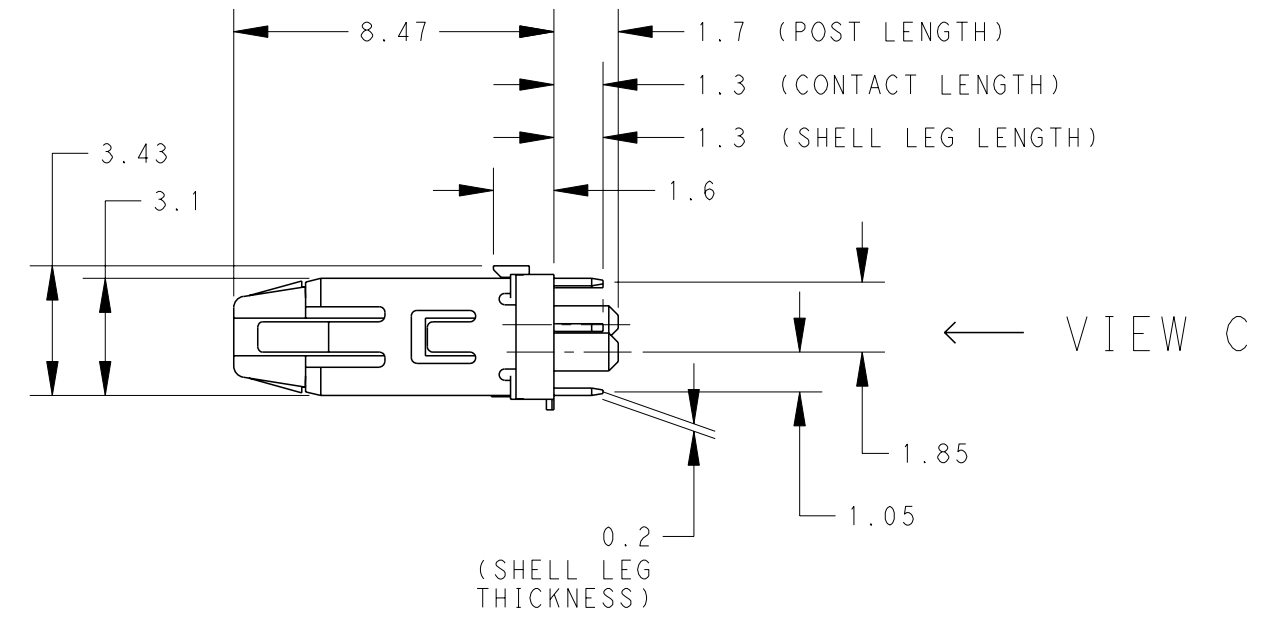
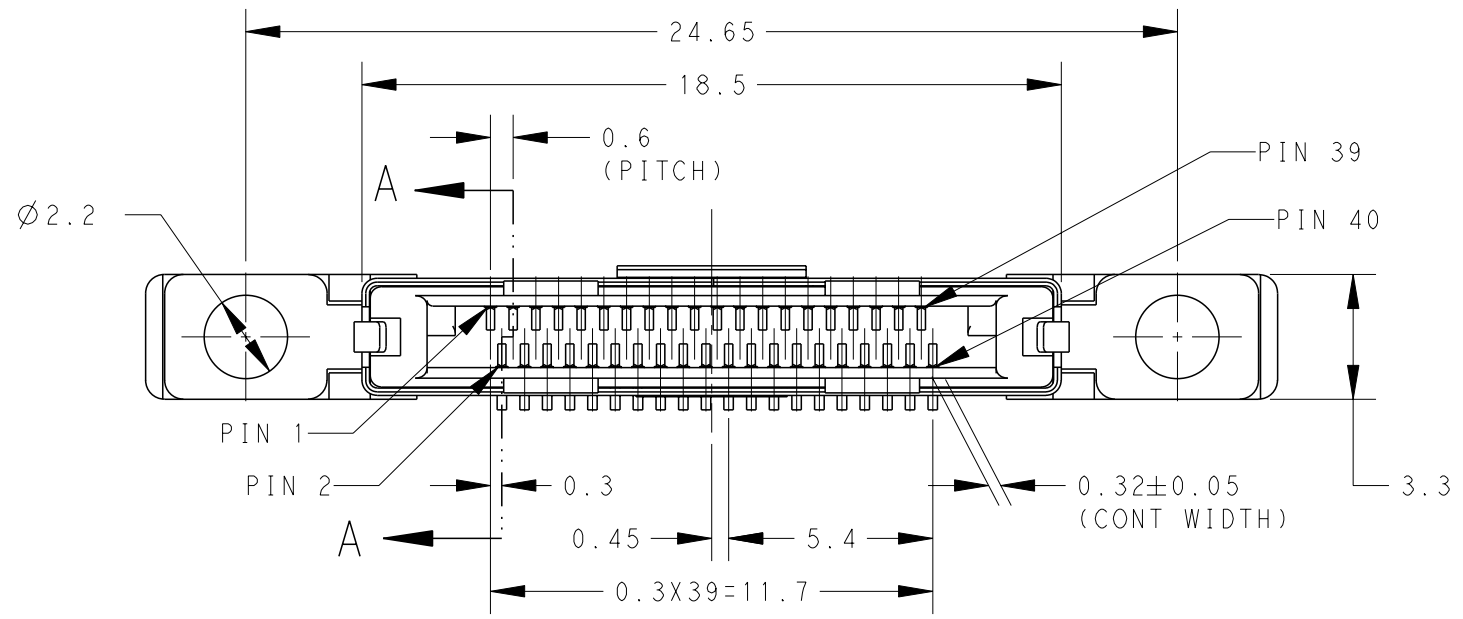
THIS DRAWING IS UNPUBLISHED. RELEASED FOR PUBLICATION 20
 © COPYRIGHT 20 BY - ALL RIGHTS RESERVED.

LOC		DIST		REVISIONS			
P	LTR	DESCRIPTION		DATE	DWN	APVD	
		SEE SHEET 1					




2129261-1; AS SHOWN

W/O CAP CONDITION



VIEW B

VIEW C

THIS DRAWING IS A CONTROLLED DOCUMENT.		DWN	-	 TE Connectivity
DIMENSIONS: mm		CHK	-	
TOLERANCES UNLESS OTHERWISE SPECIFIED:		APVD	-	
0 PLC ± ± 1 PLC ± ± ±0.25 2 PLC ± ± ±3° 3 PLC ± ± 4 PLC ± ± ANGLES ± ± FINISH -		PRODUCT SPEC	-	
MATERIAL -		APPLICATION SPEC	-	NAME PLUG ASSY, 0.6mm PITCH CHAMP DOCKING CONNECTOR, 40POS
		WEIGHT	0.97g	SIZE A3
		CUSTOMER DRAWING		CAGE CODE 00779
				DRAWING NO 2129261
				RESTRICTED TO
		SCALE	5:1	SHEET 2 OF 5
				REV B

4

3

2

1

THIS DRAWING IS UNPUBLISHED.

RELEASED FOR PUBLICATION

20

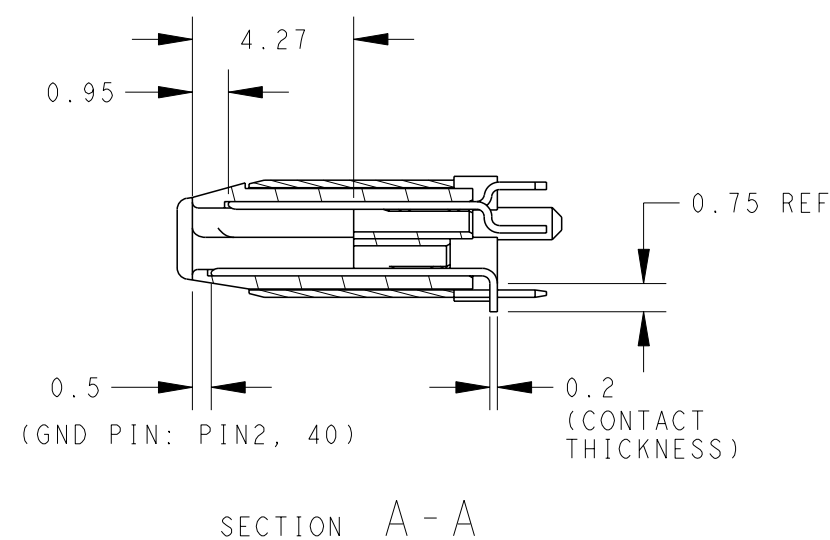
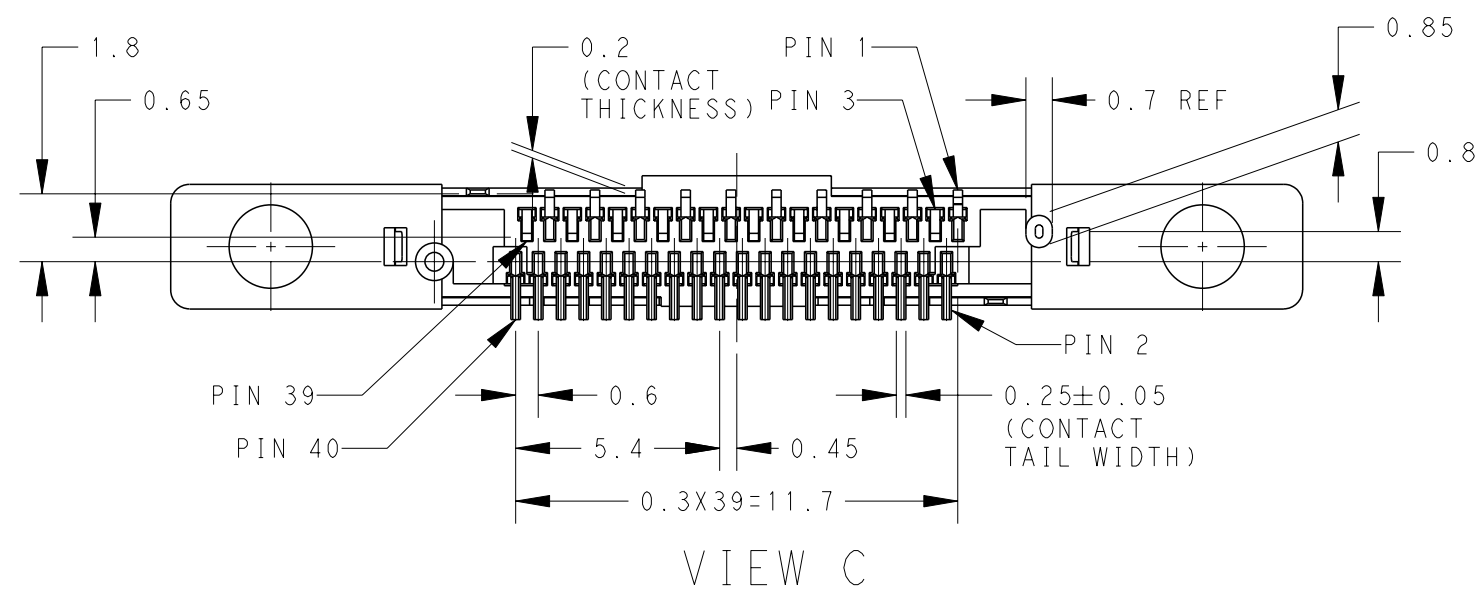
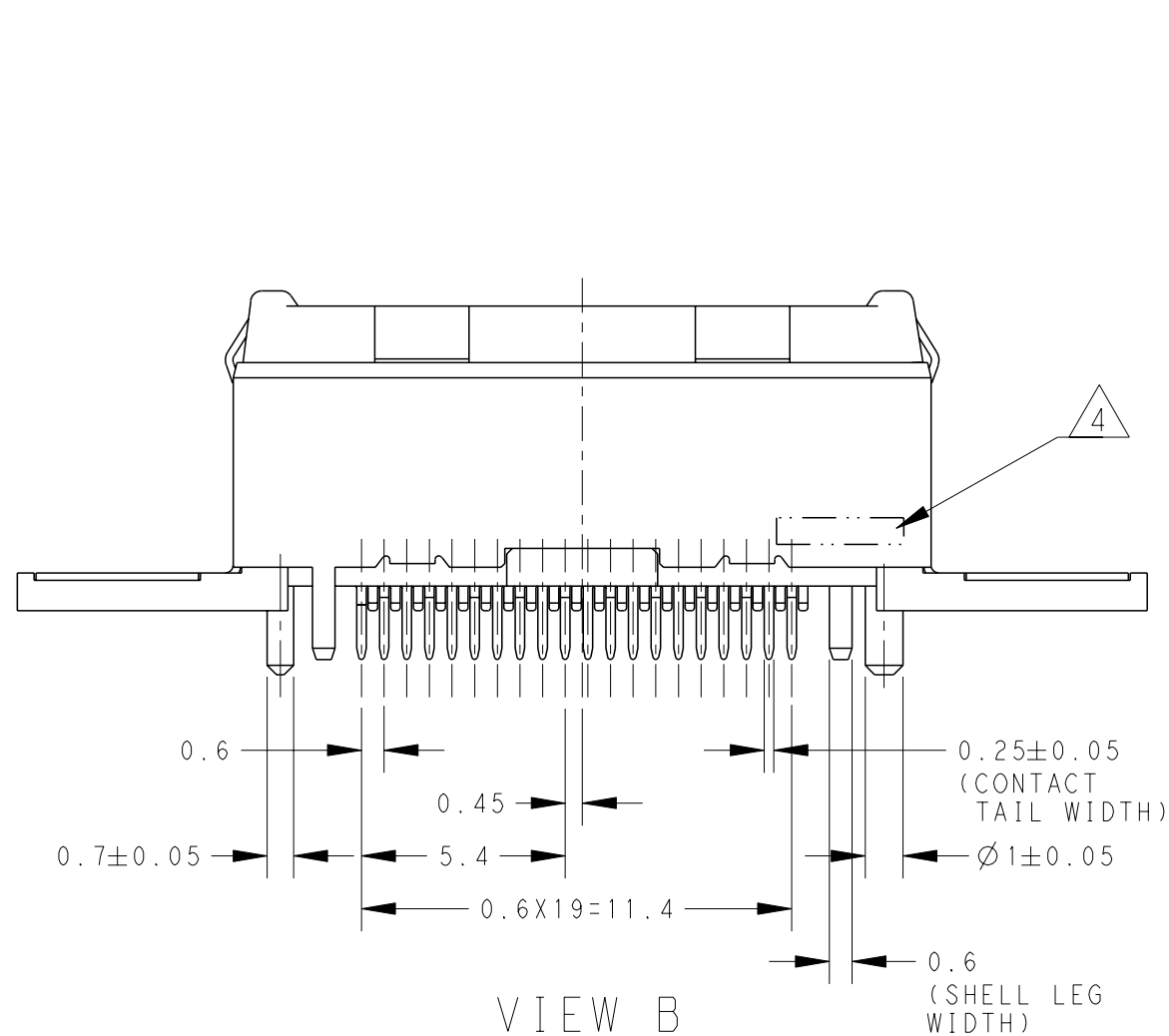
© COPYRIGHT 20 BY -


ALL RIGHTS RESERVED.

LOC DW DIST

REVISIONS

P	LTR	DESCRIPTION	DATE	DWN	APVD
		SEE SHEET 1			



THIS DRAWING IS A CONTROLLED DOCUMENT.		DWN	 TE Connectivity			
DIMENSIONS: mm		CHK				
TOLERANCES UNLESS OTHERWISE SPECIFIED:		APVD				
0 PLC ± ±0.25 1 PLC ± ±0.25 2 PLC ± ±3° 3 PLC ± ± 4 PLC ± ± ANGLES ± ± FINISH -		PRODUCT SPEC				
MATERIAL -		APVD	NAME PLUG ASSY, 0.6mm PITCH CHAMP DOCKING CONNECTOR, 40POS			
		PRODUCT SPEC	SIZE	CAGE CODE	DRAWING NO	RESTRICTED TO
		APPLICATION SPEC	A3	00779	C-2129261	-
		WEIGHT	CUSTOMER DRAWING		SCALE 5:1	SHEET 3 OF 5
					REV B	

4

3

2

1

THIS DRAWING IS UNPUBLISHED.

RELEASED FOR PUBLICATION

20

© COPYRIGHT 20

BY -

ALL RIGHTS RESERVED.

LOC
DW

DIST

REVISIONS


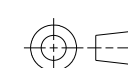
P	LTR	DESCRIPTION	DATE	DWN	APVD
		SEE SHEET 1			

RECOMMENDED P.C. BOARD LAYOUT
(TOP VIEW)

△ 5 CONNECTOR OUTLINE

RECOMMENDED P.C. BOARD LAYOUT
(TOP VIEW)

△ 5 CONNECTOR OUTLINE

THIS DRAWING IS A CONTROLLED DOCUMENT.		DWN	 TE Connectivity			
DIMENSIONS: mm		CHK				
		APVD				
TOLERANCES UNLESS OTHERWISE SPECIFIED: 0 PLC ± ±0.05 1 PLC ± ±0.05 2 PLC ± ±3° 3 PLC ± ± 4 PLC ± ± ANGLES ± ± FINISH -		PRODUCT SPEC				
MATERIAL		APVD	NAME PLUG ASSY, 0.6mm PITCH CHAMP DOCKING CONNECTOR, 40POS			
		PRODUCT SPEC	SIZE	CAGE CODE	DRAWING NO	RESTRICTED TO
		APPLICATION SPEC	A3	00779	C=2129261	
		WEIGHT	CUSTOMER DRAWING		SCALE	SHEET
					8:1	4 OF 5
						REV B

1470-19 (3/11)

Downloaded From Onevac.com

4

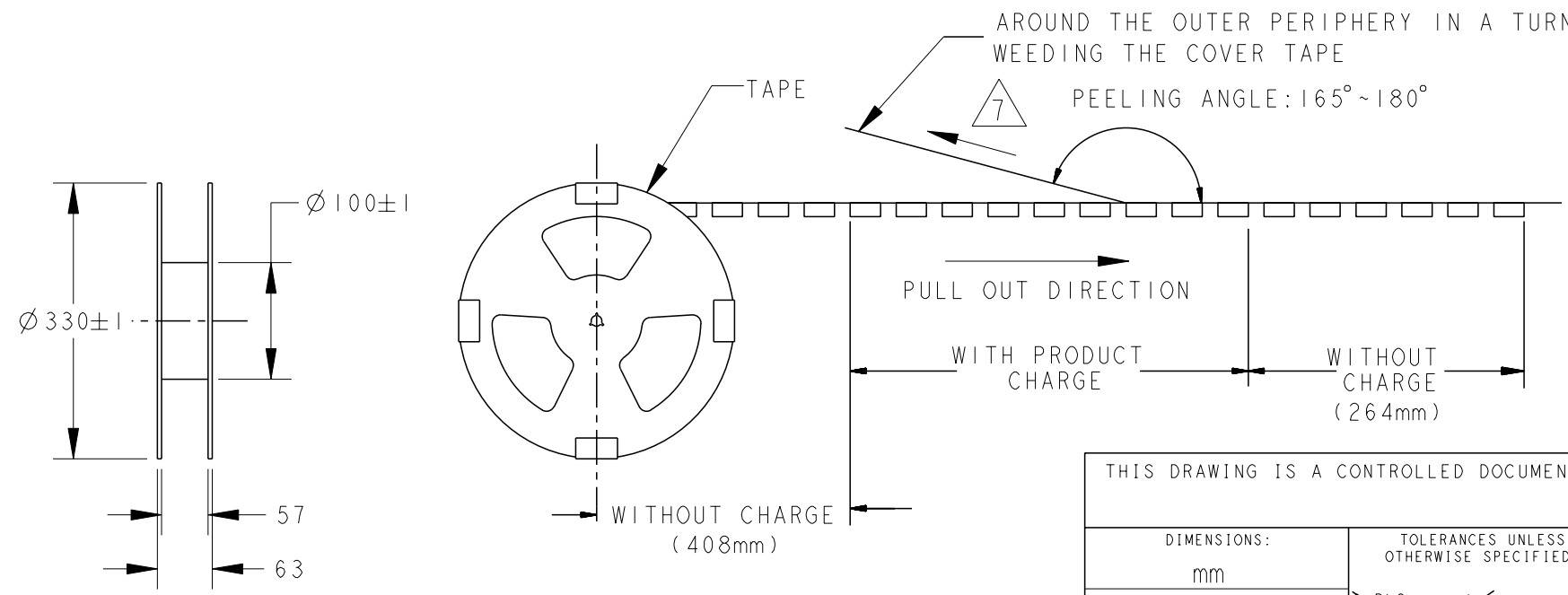
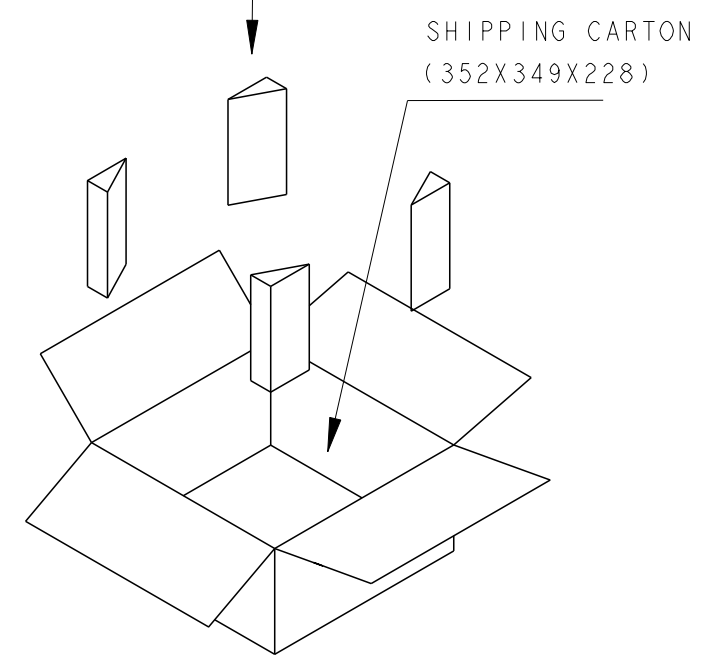
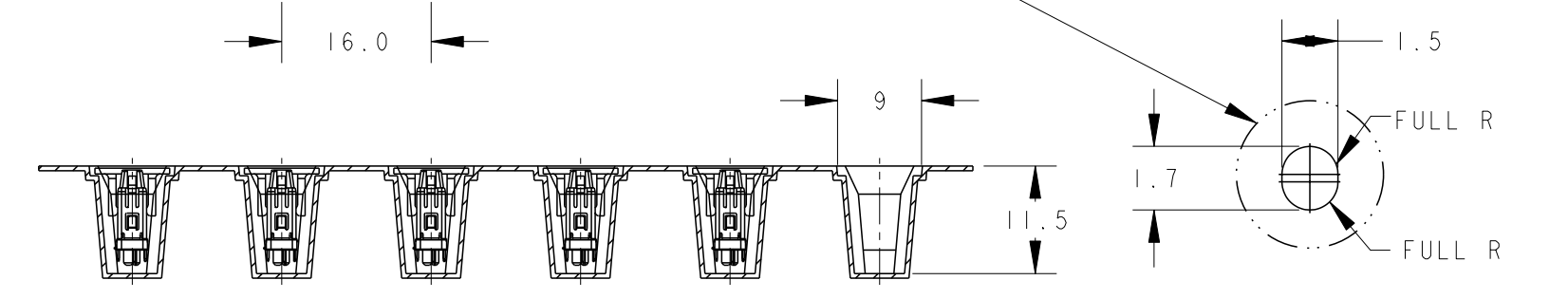
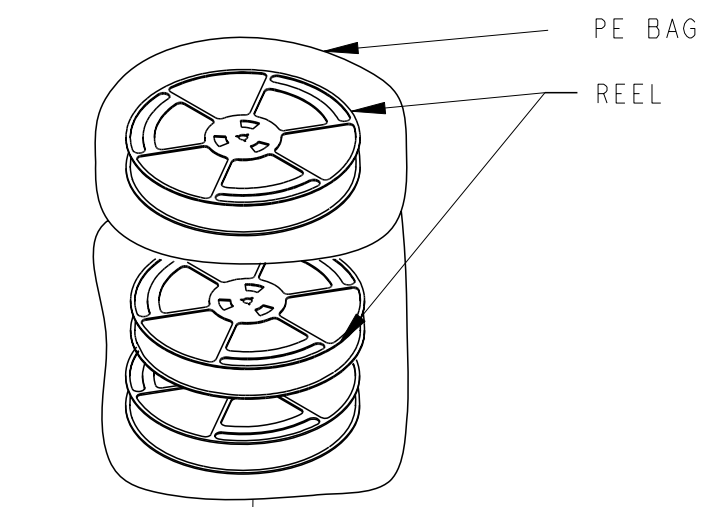
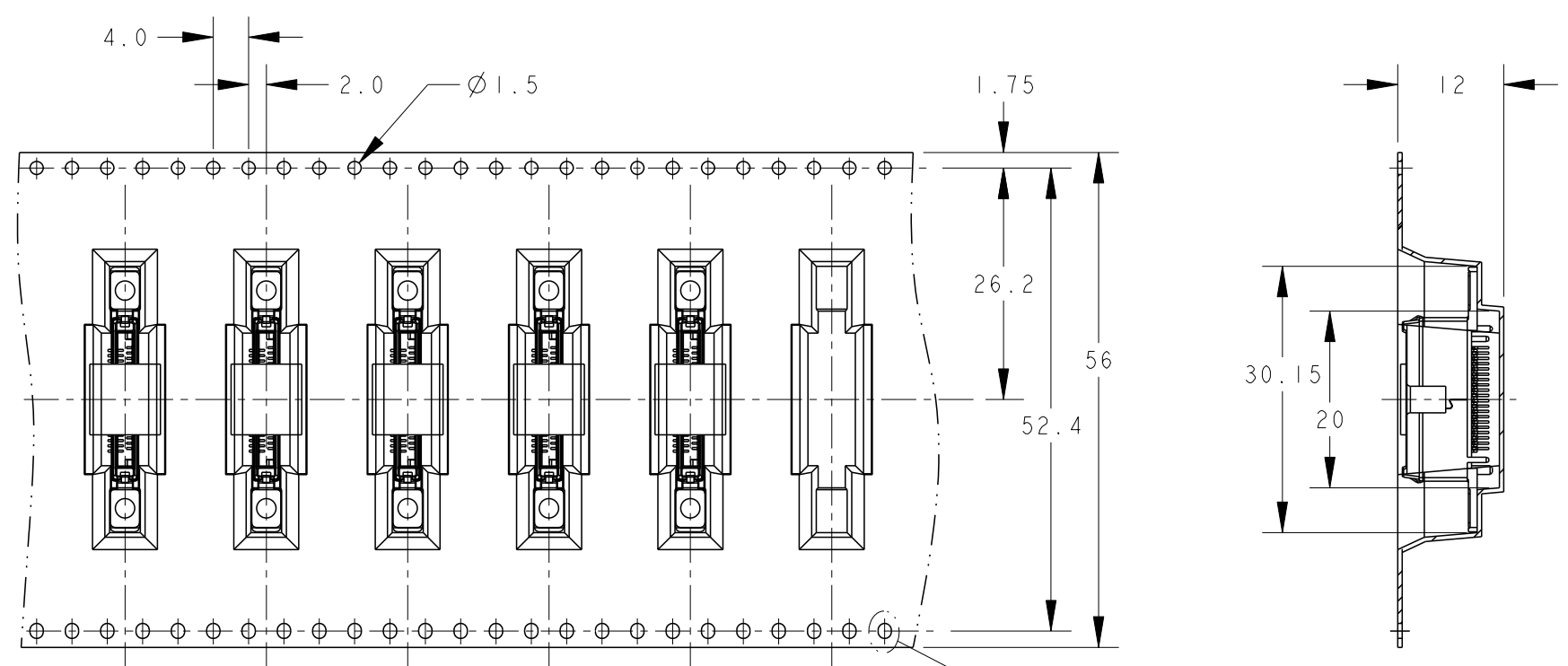
3

2

1

THIS DRAWING IS UNPUBLISHED. RELEASED FOR PUBLICATION 20
 © COPYRIGHT 20 BY - ALL RIGHTS RESERVED.

LOC	DIST	REVISIONS					
DW	-	P	LTR	DESCRIPTION	DATE	DWN	APVD
				SEE SHEET 1			



6. PACKING MATERIAL:
 CARRY TAPE: PS; COLOR:BLACK.
 COVER TAPE: PET; COLOR: CLEAR.
 PEELING STRENGTH OF COVER TAPE: 0.2N~1.2N

300	3	900
PCS/ TAPE	REELS/ CARTON	TOTAL QUANTITY

THIS DRAWING IS A CONTROLLED DOCUMENT.

DIMENSIONS: mm	TOLERANCES UNLESS OTHERWISE SPECIFIED: 0 PLC ± 1 PLC ± ±0.5 2 PLC ± ±3° 3 PLC ± 4 PLC ± ANGLES ± FINISH -	DWN - CHK - APVD - PRODUCT SPEC - APPLICATION SPEC - WEIGHT -	TE Connectivity PLUG ASSY, 0.6mm PITCH CHAMP DOCKING CONNECTOR, 40POS
MATERIAL -		CUSTOMER DRAWING	SIZE A3 CAGE CODE 00779 DRAWING NO C-2129261 SCALE 5:1 SHEET 5 OF 5 REV B

单击下面可查看定价，库存，交付和生命周期等信息

[>>TE Connectivity\(泰科\)](#)