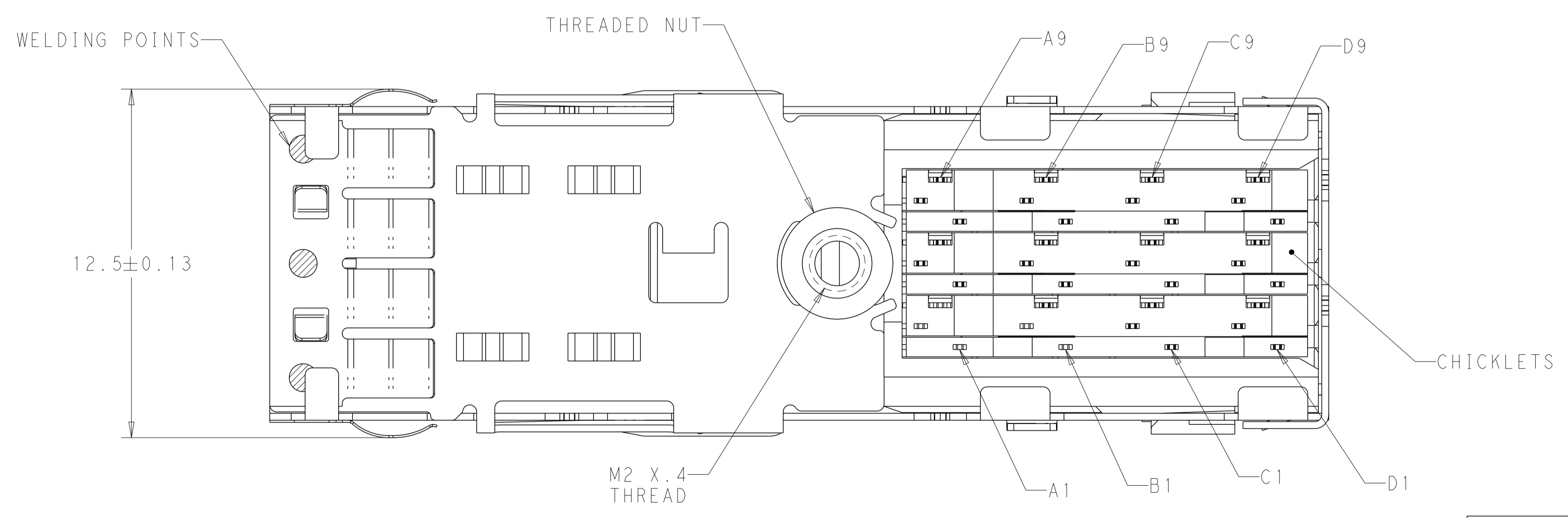
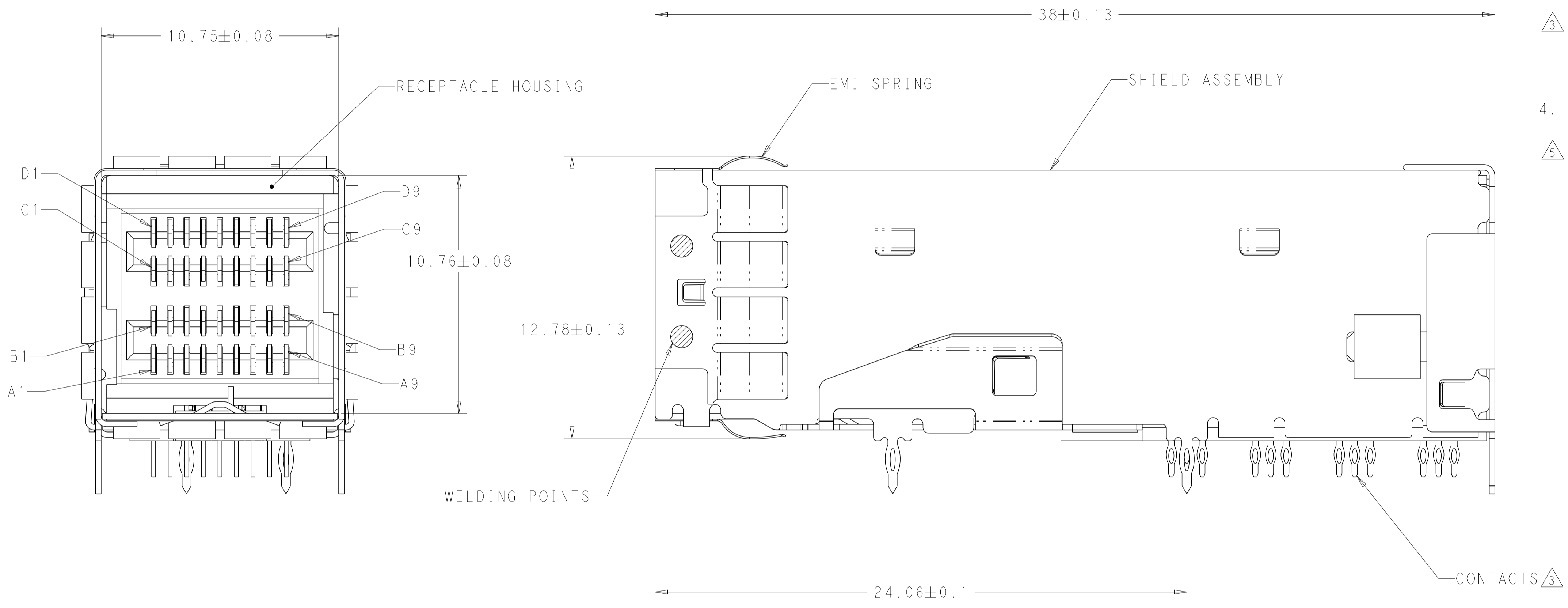


LOC	DIST	REVISIONS			
P	LTN	DESCRIPTION	DATE	DWN	APVD
AG	00				
A		REVISED PER ECO-14-018497	16DEC2014	AP	DG
B		REVISED PER ECO-16-006344	26APR2016	JY	SH

- MATERIALS**
 RECEPTACLE HOUSING, LCP, BLACK, UL94V-0 RATED
 SHIELD ASSEMBLY: NICKEL SILVER COPPER ALLOY
 CONTACTS: COPPER ALLOY
 EMI SPRING: COPPER ALLOY
 THREADED NUT: BRASS
 CHICKLETS: LCP, BLACK, UL 94V-0 RATED
 - FINISH**
 EMI SPRING: TIN PLATE OVER NICKEL PLATE
 NON-PLATED EDGES PERMISSABLE
 THREADED NUT: NICKEL PLATE
- △ CONTACT FINISH: CONFORMS TO THE REQUIREMENTS OF TE PRODUCT SPECIFICATION, 108-2462. BASED ON EIA/ECA-364-1000.01A. (CONTROLLED ENVIRONMENT APPLICATIONS) ON MATING END. TIN PLATED ON PCB TAIL
4. THREAD LENGTH OF FASTENER = PCB THICKNESS + 1.45 MAX
- △ RECOMMENDED TRACE KEEP OUT ZONE

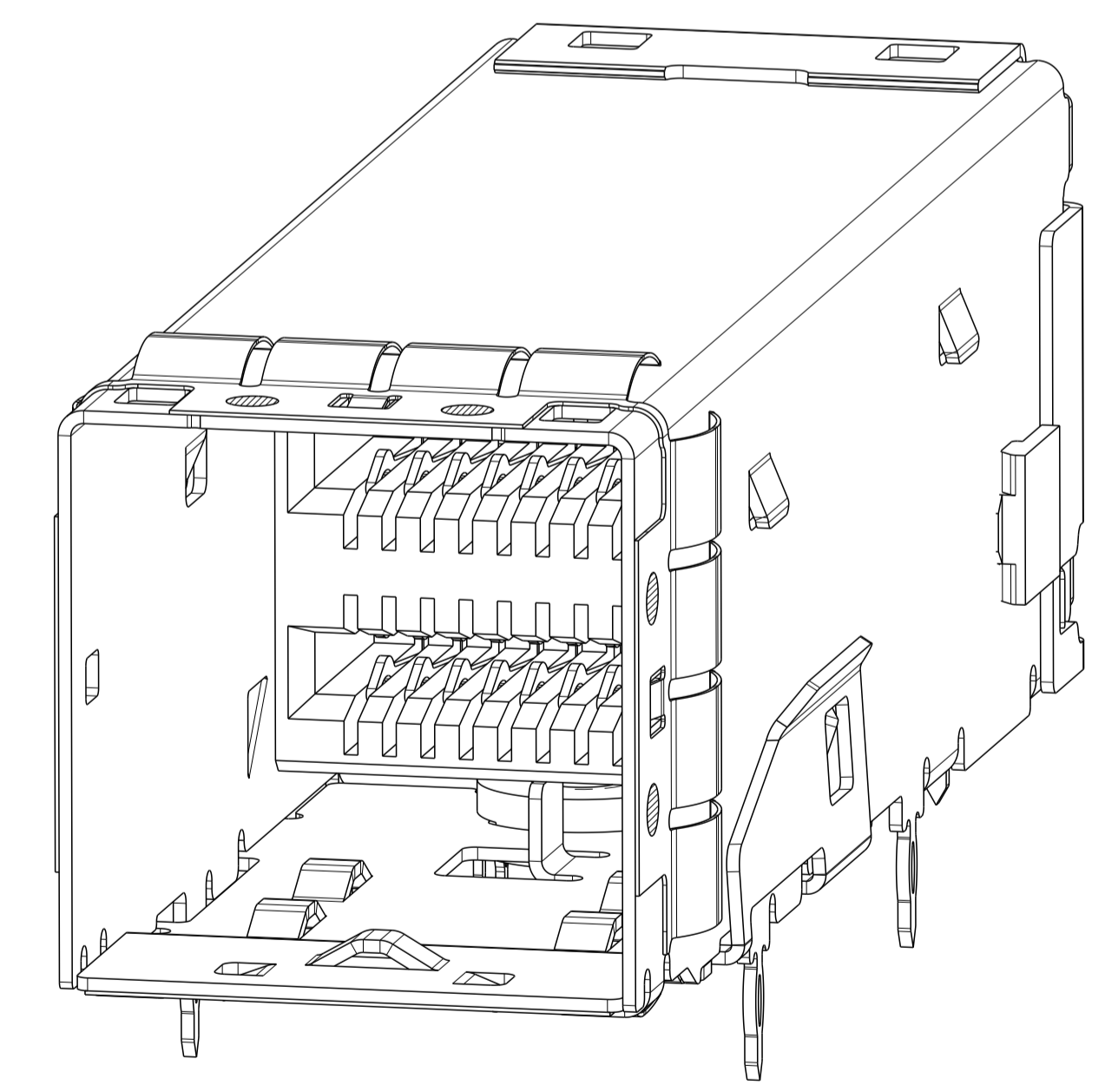
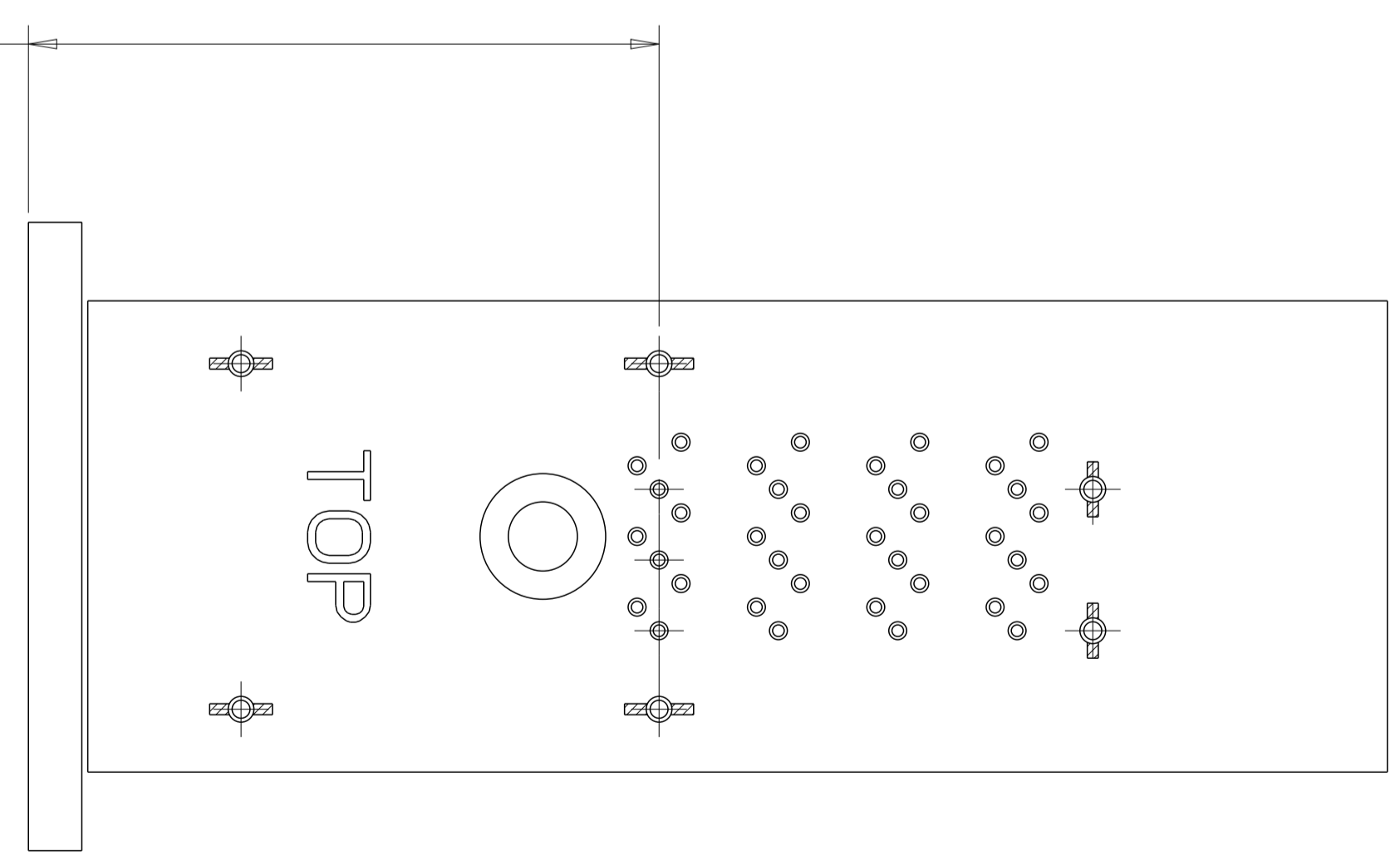
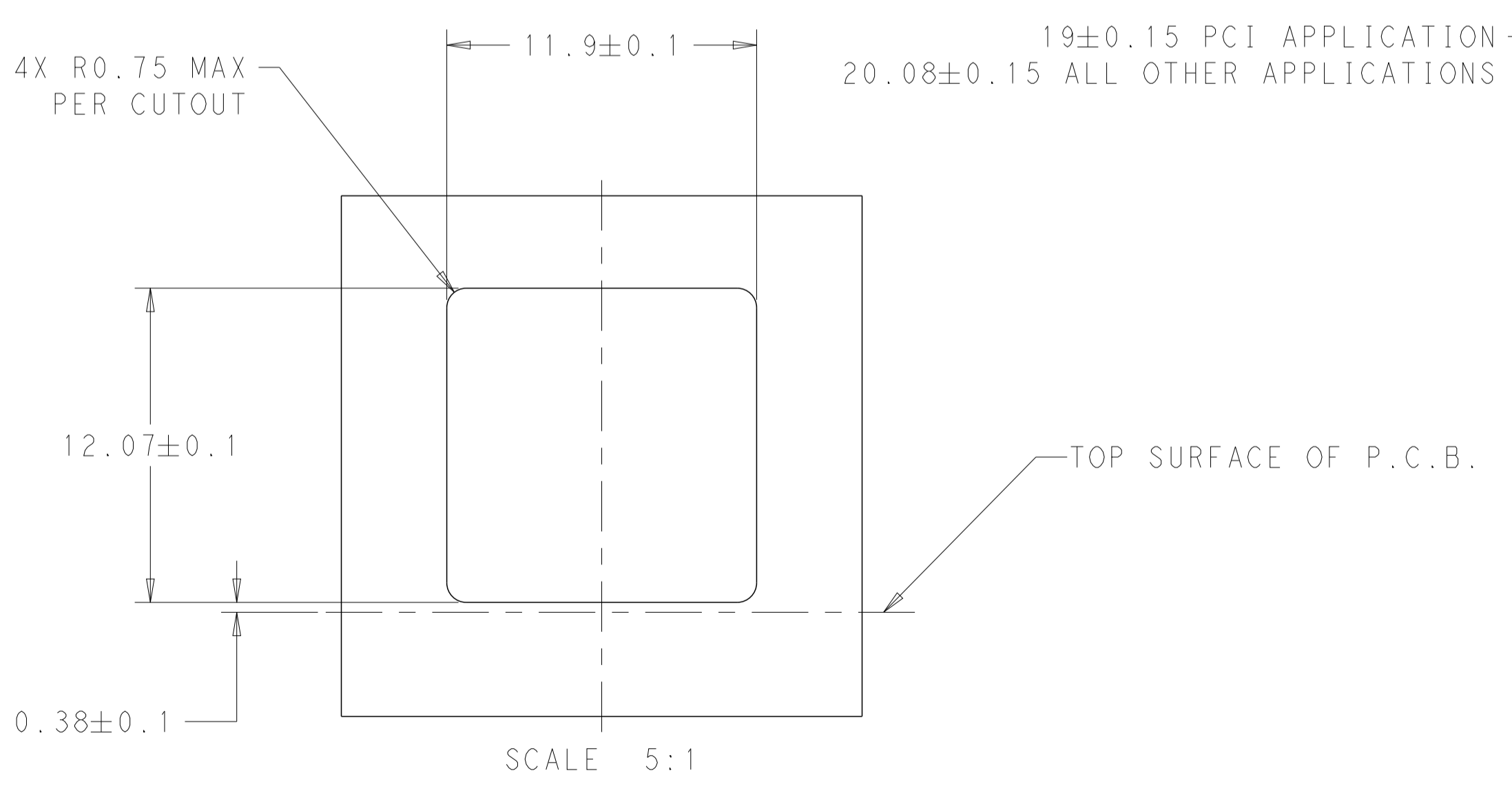
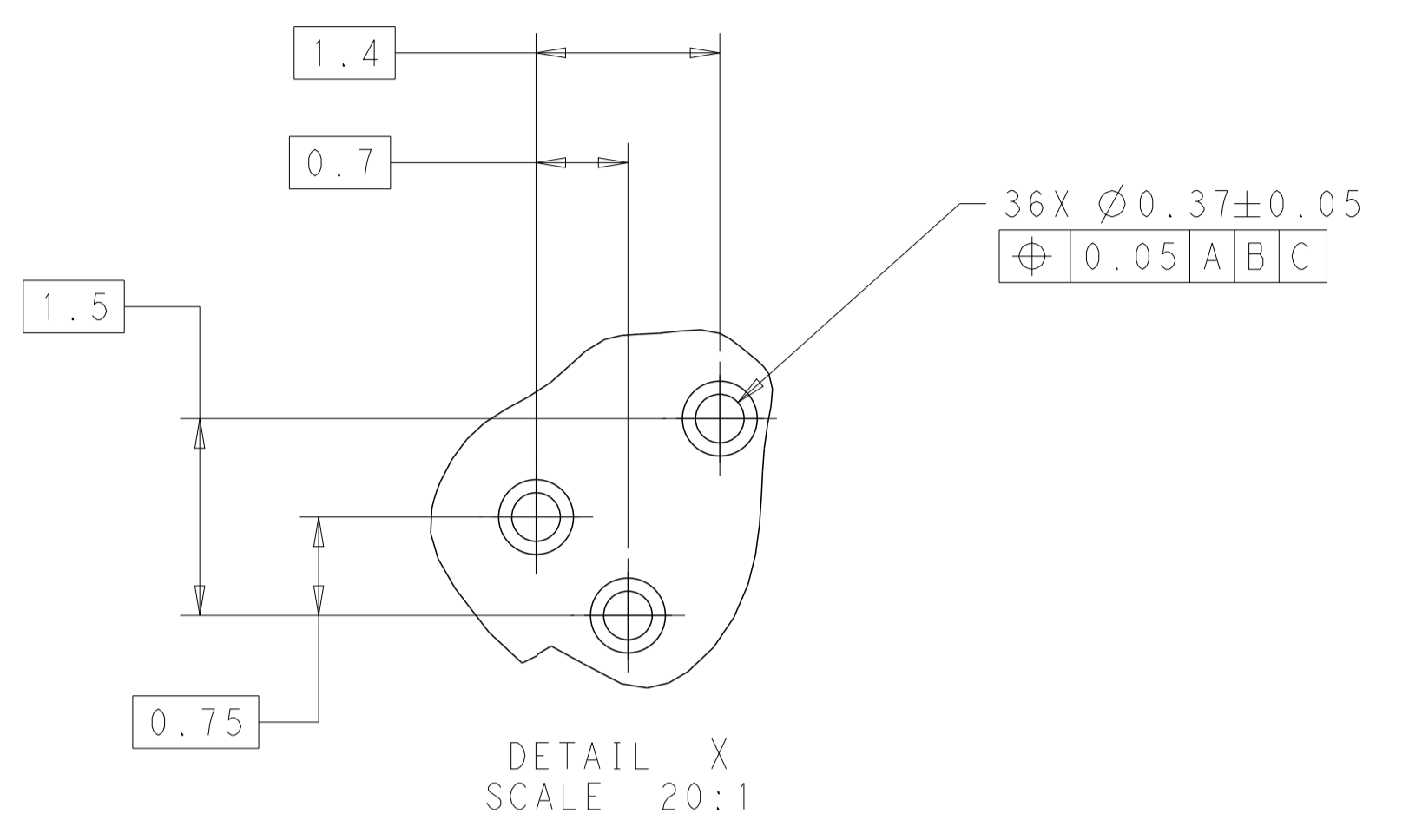
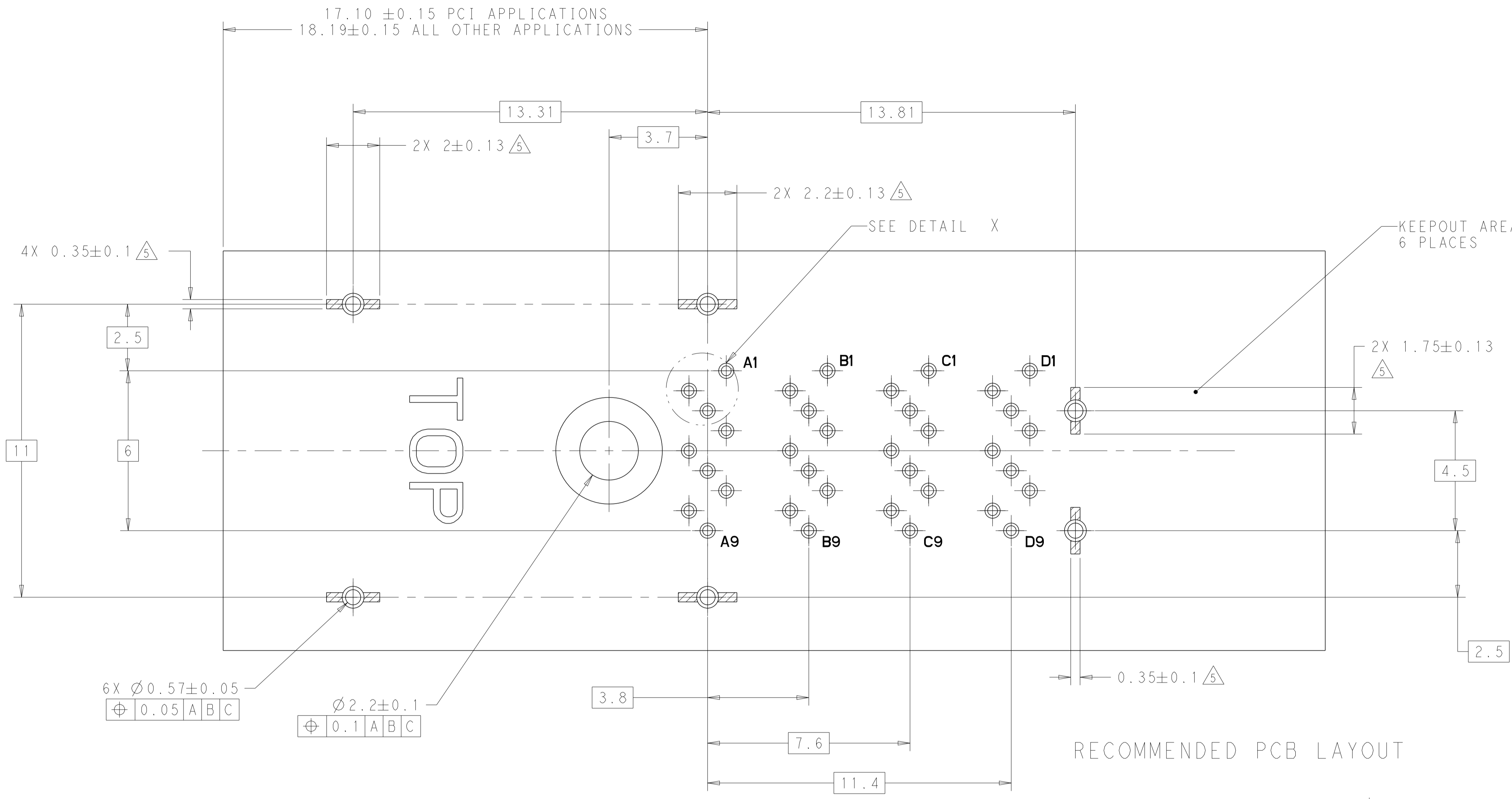


2149027-1
PART NUMBER

THIS DRAWING IS A CONTROLLED DOCUMENT.		DWN P. KERLIN 27JUL2010	TE Connectivity	
DIMENSIONS:		CHK J. SECHRIST 27JUL2010	NAME RECEPTACLE ASSEMBLY, MINI-SASS HD	
mm	TOLERANCES UNLESS OTHERWISE SPECIFIED:	APVD	PRODUCT SPEC	RESTRICTED TO
	0 PLC ±0.13		108-2462	
	2 PLC ±		APPLICATION SPEC	
	3 PLC ±		114-13316	
	4 PLC ±		WEIGHT	
	ANGLES ±		A100779C=2149027	
MATERIAL	FINISH		Customer Drawing	SCALE 8:1 SHEET 1 OF 2 REV B

LOC	DIST	REV	DATE	BY	APPV
AG	00				

REVISIONS			
NO.	DESCRIPTION	DATE	BY
1	SEE SHEET 1		



THIS DRAWING IS A CONTROLLED DOCUMENT.		OWN P. KERLIN 27JUL2010	TE Connectivity
DIMENSIONS: mm		CHK J. SECHRIST 27JUL2010	
TOLERANCES UNLESS OTHERWISE SPECIFIED:		APVD	NAME RECEPTACLE ASSEMBLY, MINI-SASS HD
0 PLC ±0.13	1 PLC ±0.13	PRODUCT SPEC	
2 PLC ±0.13	3 PLC ±0.13	108-2462	
4 PLC ±0.13	ANGLES ±0.13	APPLICATION SPEC	
MATERIAL	FINISH	114-13316	SIZE CAGE CODE DRAWING NO
		WEIGHT	A100779C=2149027
Customer Drawing		SCALE 8:1	RESTRICTED TO
		SHEET 2 OF 2	REV B

单击下面可查看定价，库存，交付和生命周期等信息

[>>TE Connectivity\(泰科\)](#)