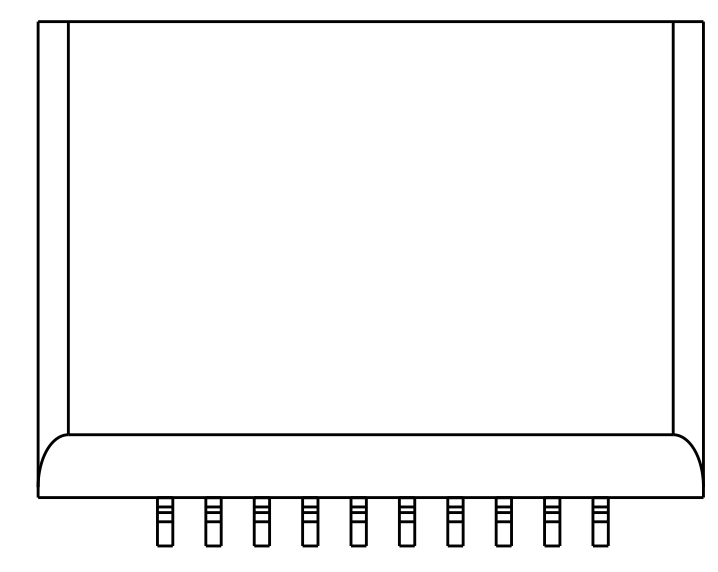


THIS DRAWING IS UNPUBLISHED. RELEASED FOR PUBLICATION 20
 © COPYRIGHT 20 BY - ALL RIGHTS RESERVED.

LOC		DIST		REVISIONS			
P	LTR	DESCRIPTION	DATE	DWN	APVD		
-	-	A	RELEASED	21NOV2013	JW	SH	

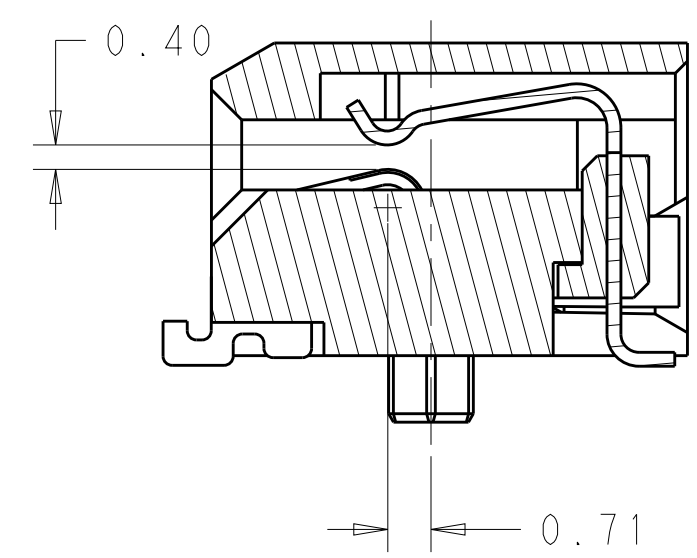
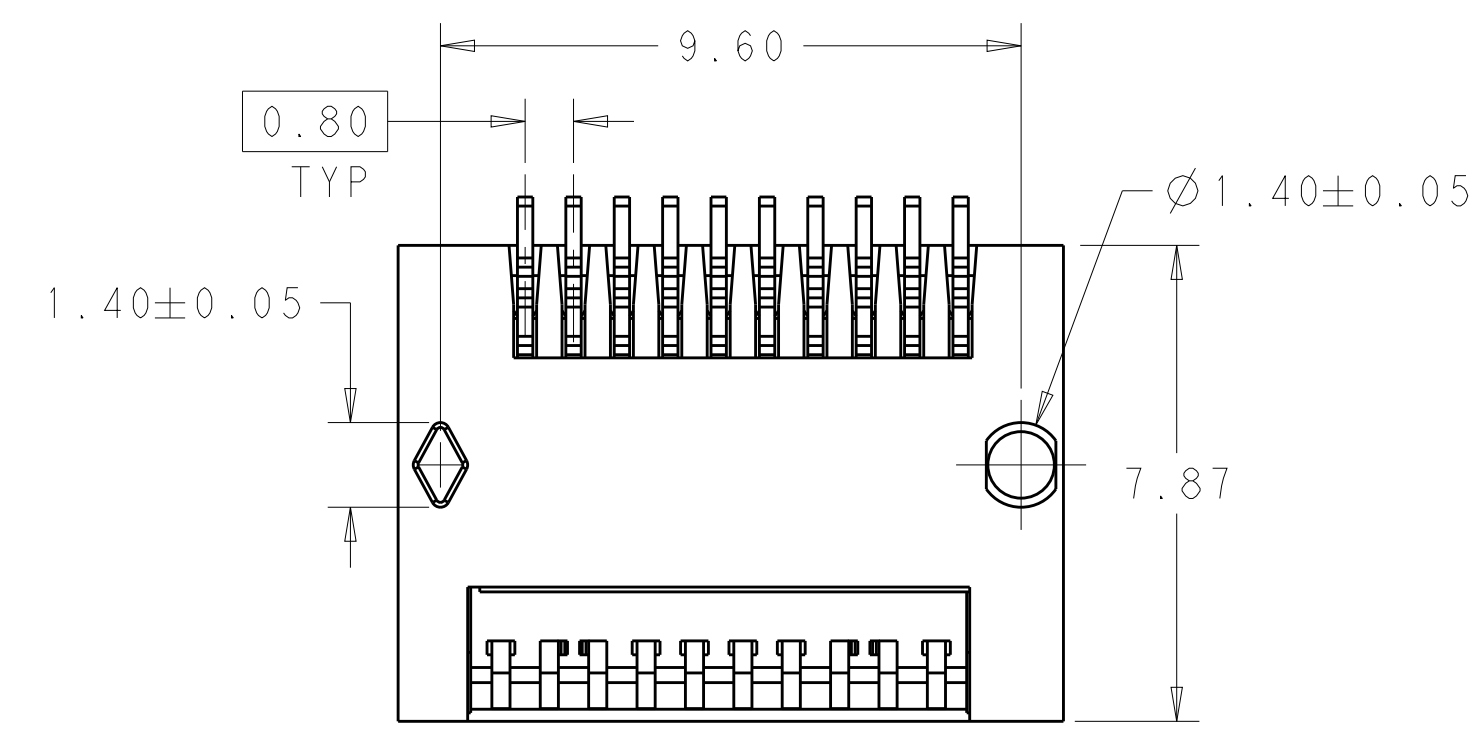
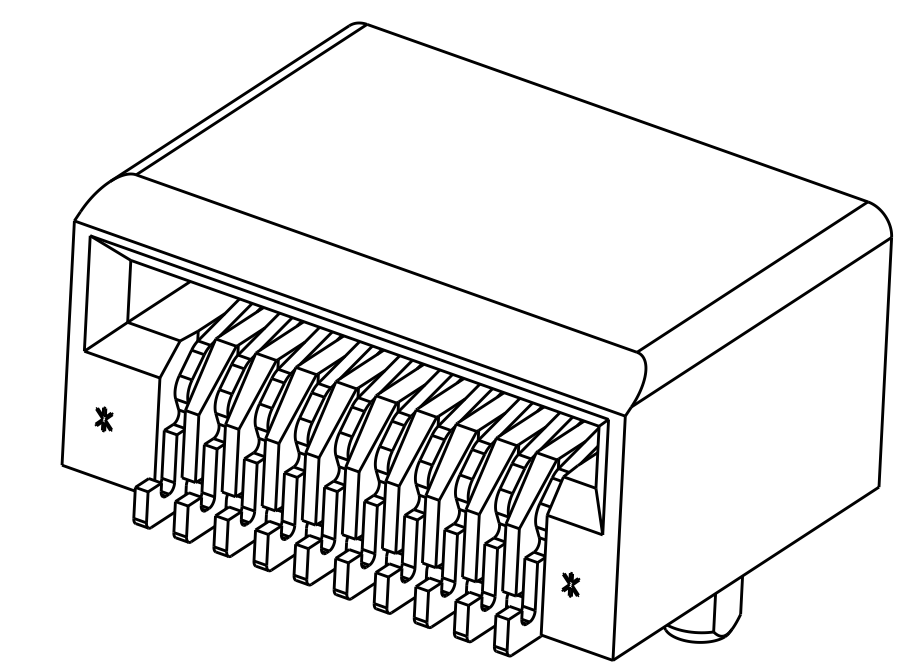
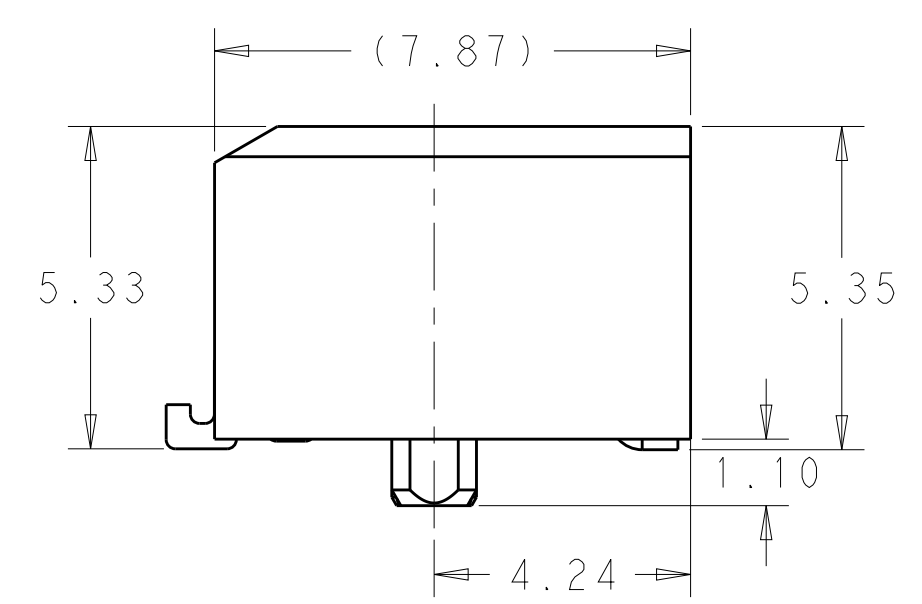
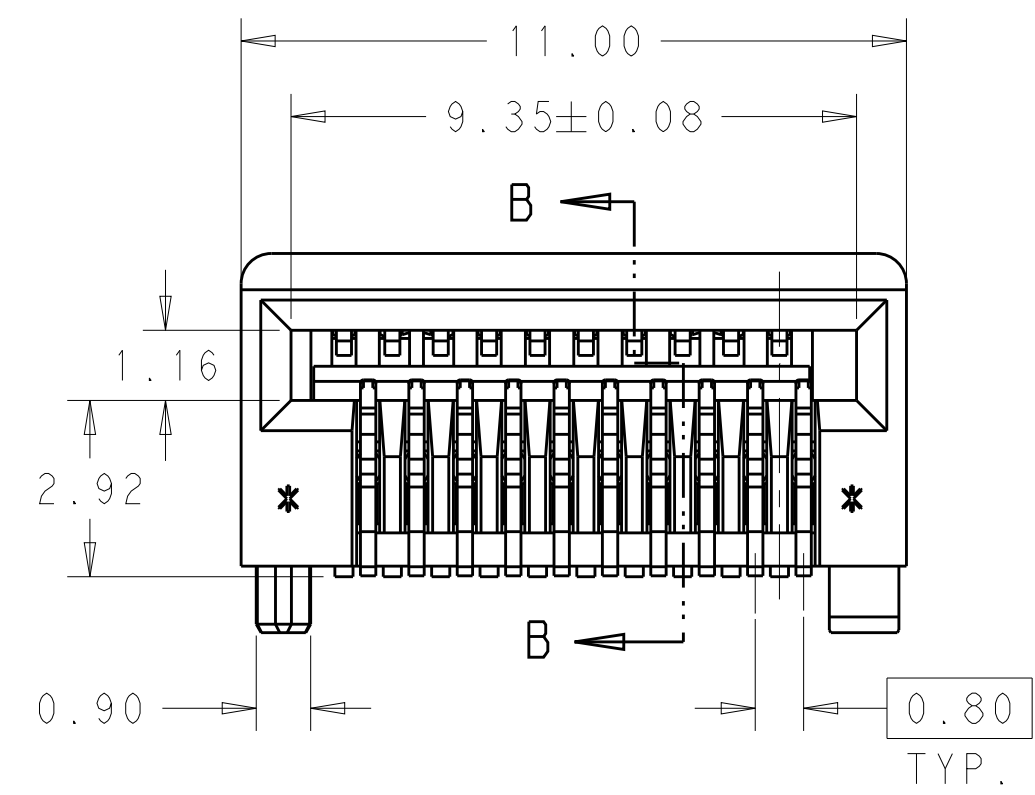
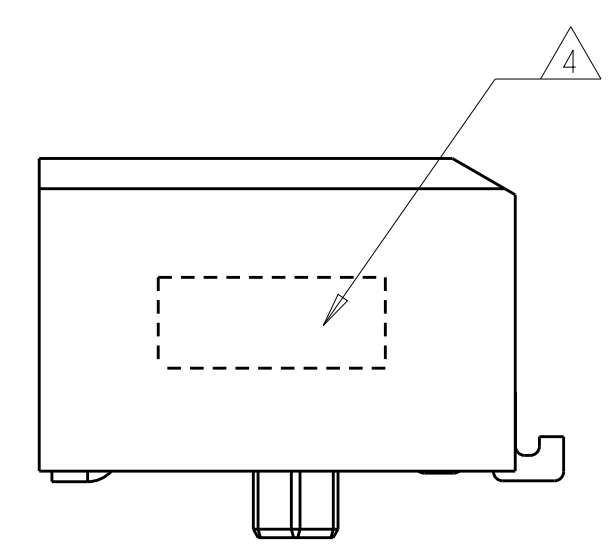


1 MATERIAL:
 CONTACT: COPPER ALLOY
 HOUSING: THERMOPLASTIC

2 FINISH:
 CONTACT AREA: GOLD FLASH OVER PALLADIUM-NICKEL
 OR GOLD PLATING, 0.76um MIN TOTAL
 SOLDER AREA: GOLD FLASH
 UNDERPLATING: 2.54um MIN NICKEL OVER ALL

3 FINISH:
 CONTACT AREA: GOLD FLASH OVER PALLADIUM-NICKEL
 OR GOLD PLATING, 0.38um MIN TOTAL
 SOLDER AREA: GOLD FLASH
 UNDERPLATING: 2.54um MIN NICKEL OVER ALL

4 PART NUMBER AND DATE CODE APPROXIMATELY
 MARKED IN THIS AREA.



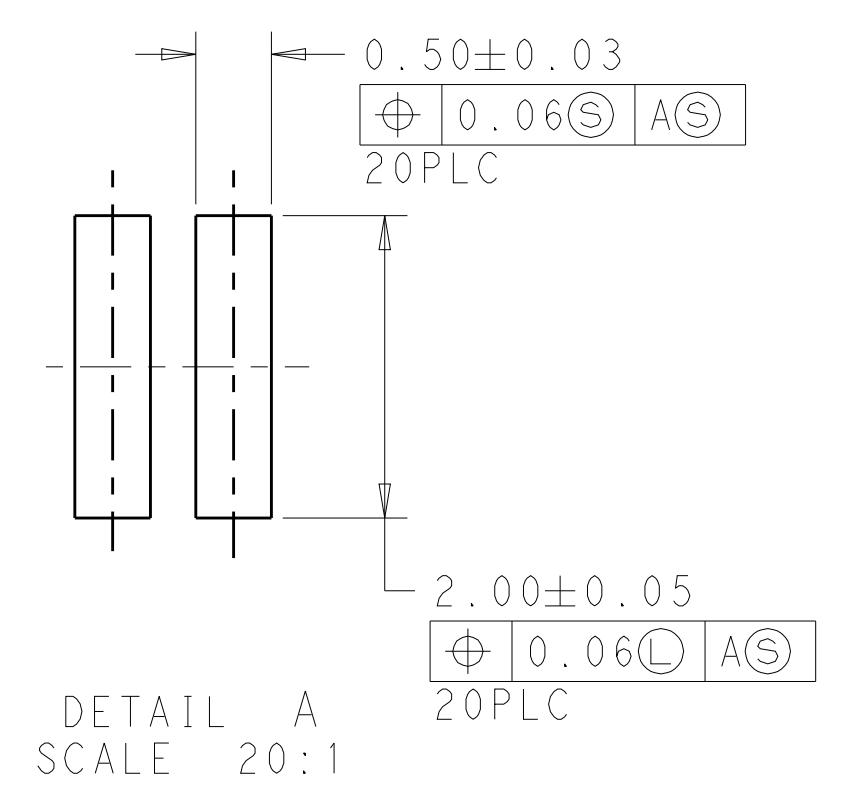
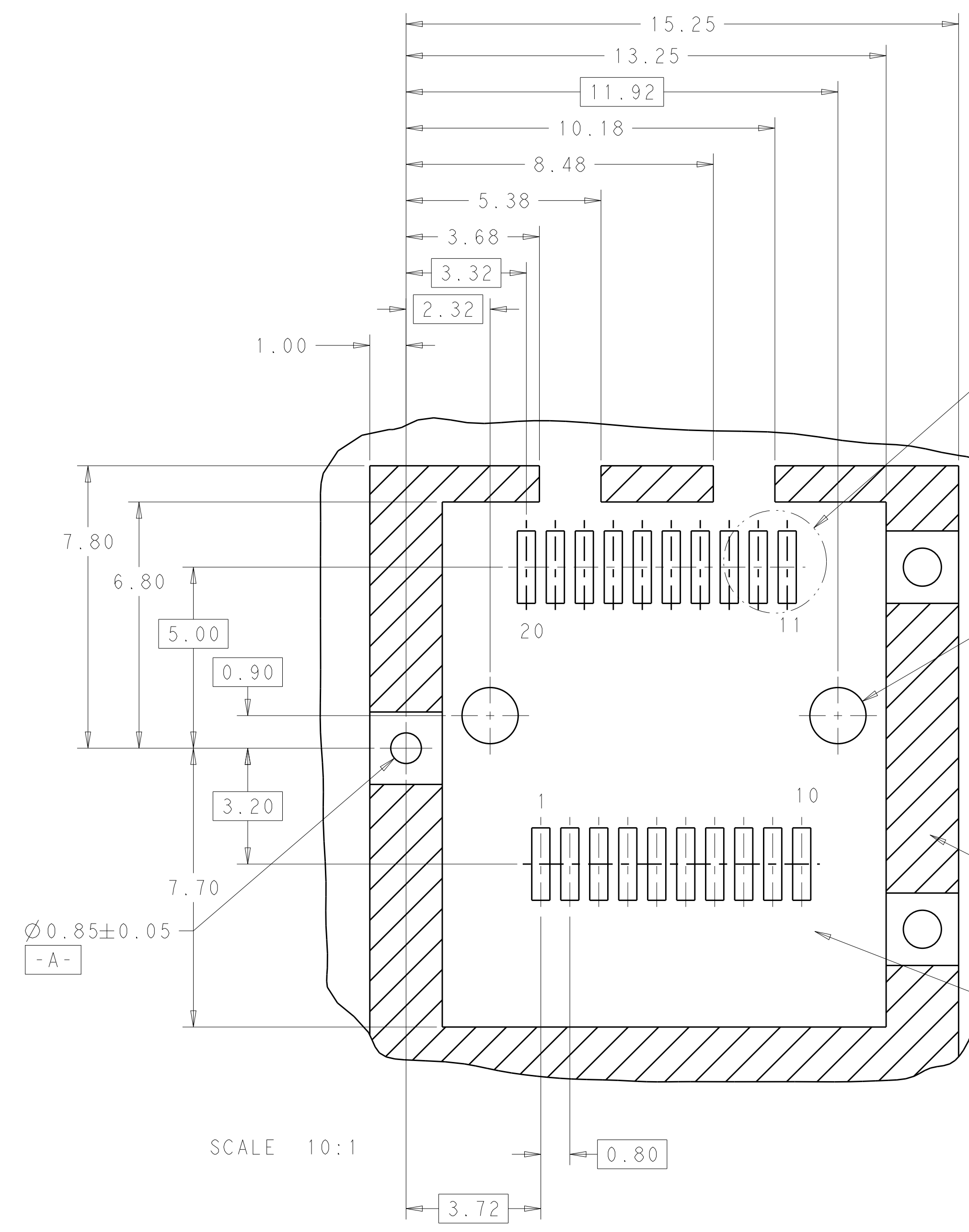
SECTION B-B

1	2170088-2
2	2170088-1
FINISH	TE PART NO.

THIS DRAWING IS A CONTROLLED DOCUMENT.		DWN	28MAR2011	STE		TE Connectivity	
DIMENSIONS: mm		CHK	28MAR2011	ASSEMBLY DRAWING			
TOLERANCES UNLESS OTHERWISE SPECIFIED:		APVD	28MAR2011	SMT, 20POS, ZSFP+			
0 PLC	±	MANQIAN WANG		NAME	-		
1 PLC	±0.25	MANQIAN WANG		SIZE	CAGE CODE	DRAWING NO	RESTRICTED TO
2 PLC	±0.13	MANQIAN WANG		108-60099	-	-	-
3 PLC	±	MANQIAN WANG		114-13120	A200779	C-2170088	-
4 PLC	±	MANQIAN WANG		WEIGHT	-	-	-
ANGLES	±	MANQIAN WANG		Customer Drawing	SCALE	8:1	SHEET 1 OF 2
FINISH	2 3	MANQIAN WANG		Customer Drawing		SCALE	8:1

THIS DRAWING IS UNPUBLISHED. RELEASED FOR PUBLICATION 20
 © COPYRIGHT 20 BY - ALL RIGHTS RESERVED.

LOC		DIST		REVISIONS			
P	LTR	DESCRIPTION	DATE	DWN	APVD		
-	-	SEE SHEET 1	-	-	-		



Ø1.55±0.05
 Ø 0.1(L) A(S)

CROSS HATCHED AREA DENOTES
 COMPONENT AND TRACE KEEP-OUT
 (EXCEPT CHASIS GROUND)

THIS AREA DENOTES
 COMPONENT KEEP-OUT
 (TRACES ALLOWED)

SCALE 10:1

THIS DRAWING IS A CONTROLLED DOCUMENT.		DWN 28MAR2011 ALEX SHOAL	TE Connectivity	
DIMENSIONS: mm		CHK 28MAR2011 MANQIAN WANG		
TOLERANCES UNLESS OTHERWISE SPECIFIED:		APVD 28MAR2011 MANQIAN WANG	NAME ASSEMBLY DRAWING SMT, 20POS, ZSFP+	
0 PLC ± 1 PLC ±0.25 2 PLC ±0.13 3 PLC ± 4 PLC ± ANGLES ± FINISH ±		PRODUCT SPEC 108-60099	SIZE CAGE CODE DRAWING NO A200779 C-2170088	
MATERIAL		APPLICATION SPEC 114-13120	RESTRICTED TO	
		WEIGHT	SCALE 8:1 SHEET 2 OF 2 REV A	
		Customer Drawing		

单击下面可查看定价，库存，交付和生命周期等信息

[>>TE Connectivity\(泰科\)](#)