

4

3

2

1

THIS DRAWING IS UNPUBLISHED.

RELEASED FOR PUBLICATION

REVISIONS

© COPYRIGHT - TE Connectivity Ltd.

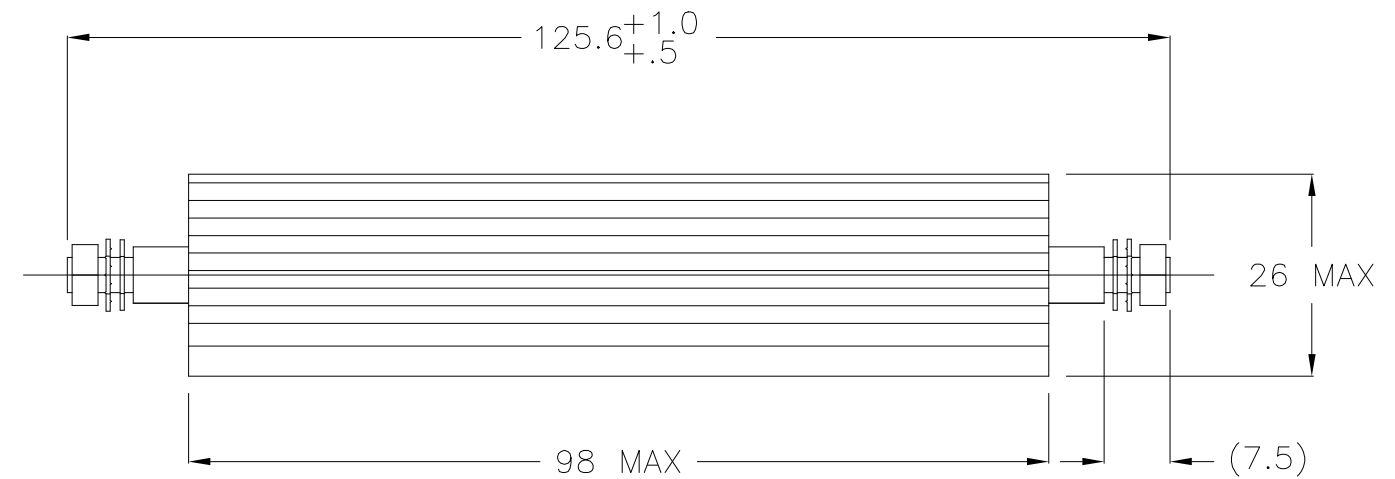
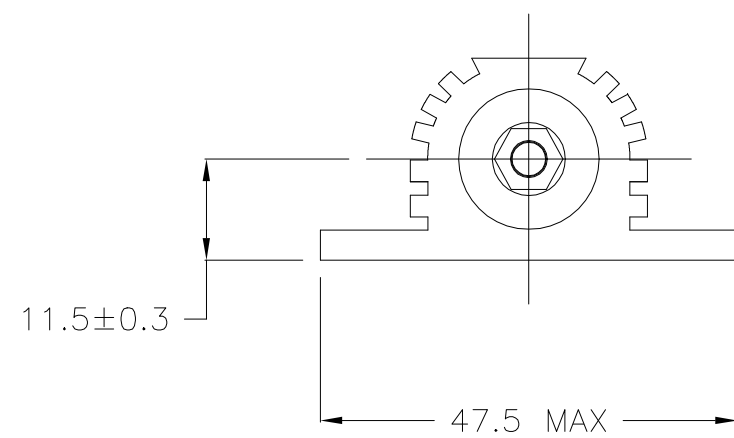
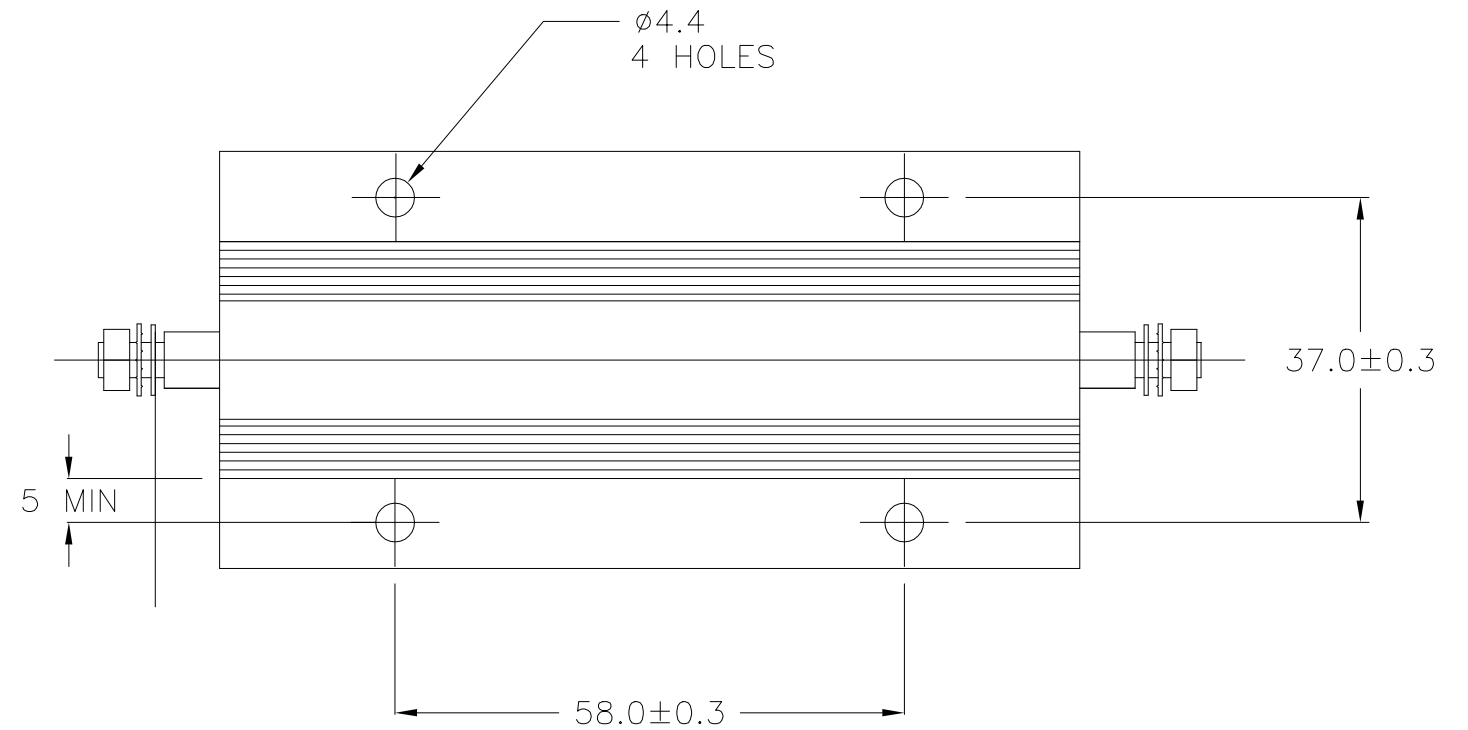
ALL RIGHTS RESERVED.

P	LTR	DESCRIPTION	DATE	DWN	APVD
	A1	ECR-18-011860	25JUL2018	GCM	CB

R1714 (HSC150 VARIANT)
DISSIPATION AT 25 DEG C 150 WATTS MOUNTED HEATSINK

CUSTOM TERMINALS: M4 THREADED TERMINALS, M4 WASHER, LOCK WASHER, NUT.

FOR FURTHER INFORMATION SEE
DATA SHEET FOR HS SERIES
ALUMINIUM HOUSED RESISTORS



THIS DRAWING IS A CONTROLLED DOCUMENT.		DWN C BOLLE	30MAY18	TE TE Connectivity	
DIMENSIONS: mm		CHK A PILE	30MAY18		
TOLERANCES UNLESS OTHERWISE SPECIFIED:		APVD T NORTHCOTT	30MAY18	NAME R1714 ALUMINIUM HOUSED POWER RESISTORS	
0 PLC ± 0.5		PRODUCT SPEC		RESTRICTED TO	
1 PLC ± 0.2		APPLICATION SPEC		SIZE	CAGE CODE
2 PLC ± 0.1				A3	00779
3 PLC ± -				DRAWING NO	
4 PLC ± -				C-2176260	
ANGLES ± 5				REVISIONS	
MATERIAL	FINISH	WEIGHT		SCALE	SHEET
-	-			NTS	1 OF 1
CUSTOMER DRAWING				REV	A1

单击下面可查看定价，库存，交付和生命周期等信息

[>>TE Connectivity\(泰科\)](#)