

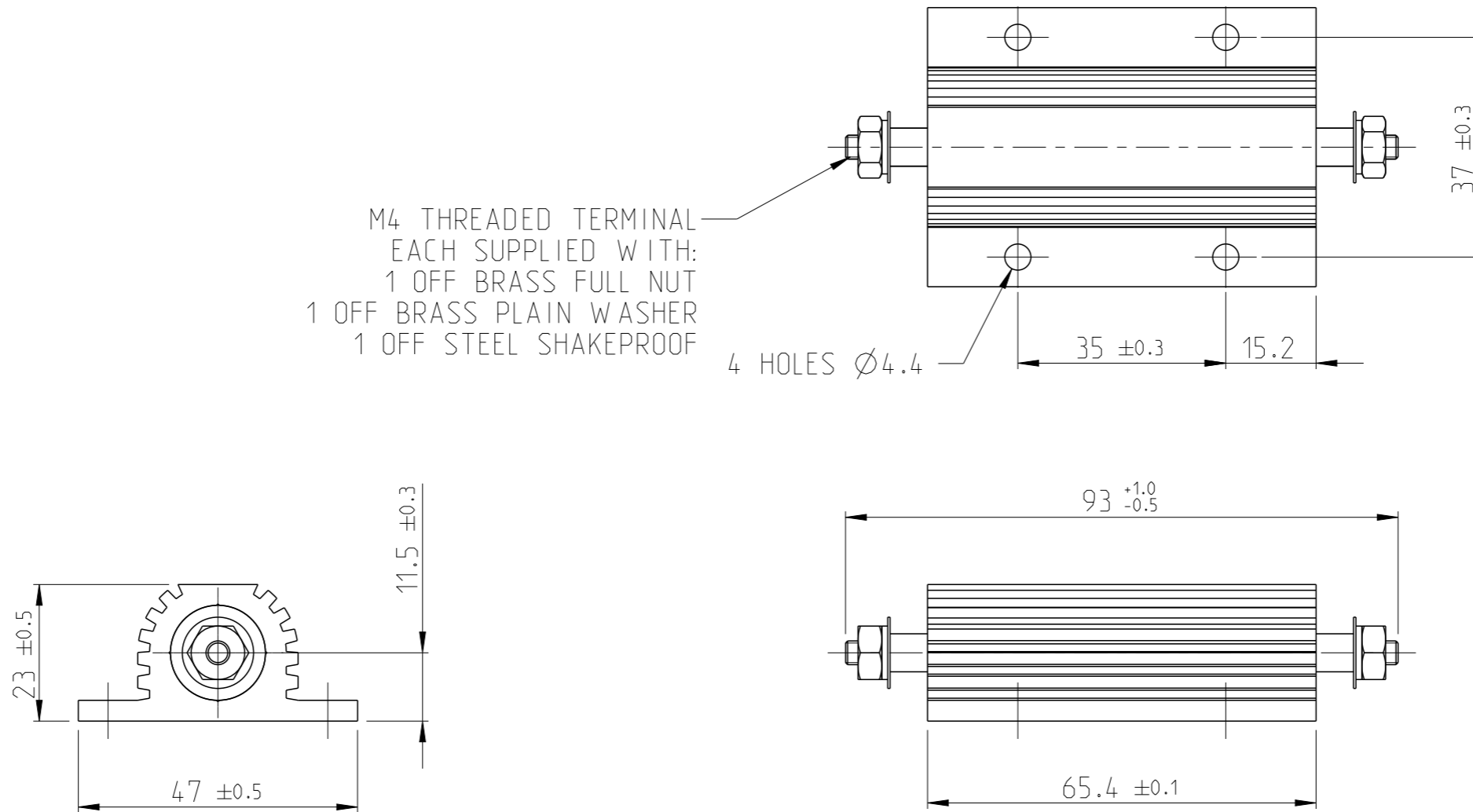
P	LTR	DESCRIPTION	DATE	DWN	APVD
1		PRELIMINARY DRAWING	19JUL2018	GCM	CB
A		REVISED PER ECR-18-017116	30OCT2018	SR	CB
A1		REVISED PER ECR-20-014580	15OCT2020	SB	CB

ELECTRICALLY & MECHANICALLY SIMILAR TO STANDARD HSC100 EXCEPT:-

TERMINALS - BRASS M4 THREAD

M4 THREADED TERMINAL EACH SUPPLIED WITH:
 1 OFF BRASS FULL NUT
 1 OFF BRASS PLAIN WASHER
 1 OFF STEEL SHAKEPROOF

4 HOLES $\phi 4.4$



TE PART NO.	DESCRIPTION
2176393-1	R1735 60R 5%
2176393-2	R1735 200R 5%

THIS DRAWING IS A CONTROLLED DOCUMENT.		DWN GANESH CM 19JUL2018														
DIMENSIONS: mm		CHK C BOLLE 19JUL2018														
TOLERANCES UNLESS OTHERWISE SPECIFIED:		APVD C BOLLE 20JUL2018	NAME R1735 SERIES (HSC100 WITH M4 TERMINALS)													
<table border="0"> <tr> <td>0 PLC</td> <td>±</td> </tr> <tr> <td>1 PLC</td> <td>±</td> </tr> <tr> <td>2 PLC</td> <td>±</td> </tr> <tr> <td>3 PLC</td> <td>±</td> </tr> <tr> <td>4 PLC</td> <td>±</td> </tr> <tr> <td>ANGLES</td> <td>±</td> </tr> </table>		0 PLC	±	1 PLC	±	2 PLC	±	3 PLC	±	4 PLC	±	ANGLES	±	PRODUCT SPEC -	SIZE A3	CAGE CODE -
0 PLC	±															
1 PLC	±															
2 PLC	±															
3 PLC	±															
4 PLC	±															
ANGLES	±															
MATERIAL -		FINISH -	APPLICATION SPEC -	DRAWING NO C=2176393												
-		WEIGHT -	RESTRICTED TO													
CUSTOMER DRAWING			SCALE 1:1	SHEET 1 OF 1												
			REV A1													

RoHS Compliant

单击下面可查看定价，库存，交付和生命周期等信息

[>>TE Connectivity\(泰科\)](#)