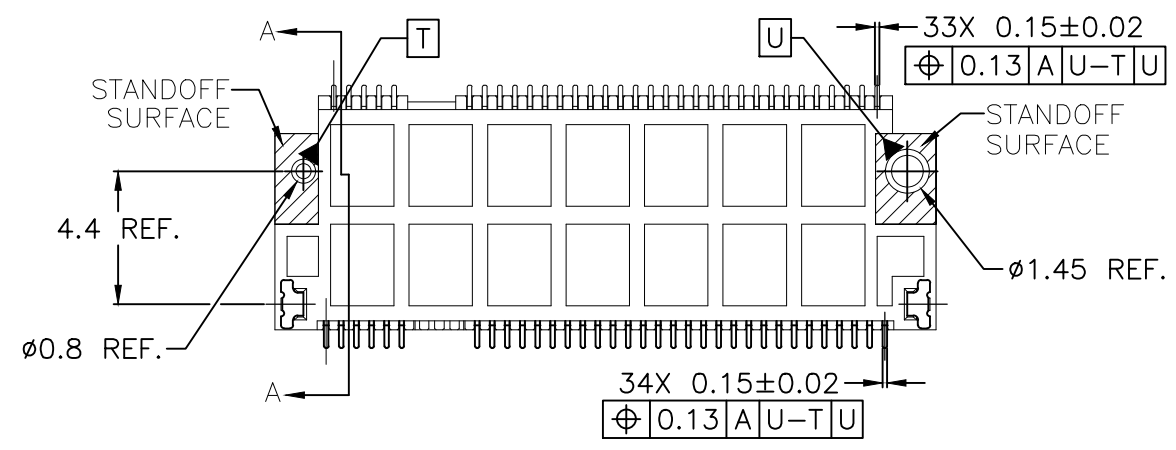
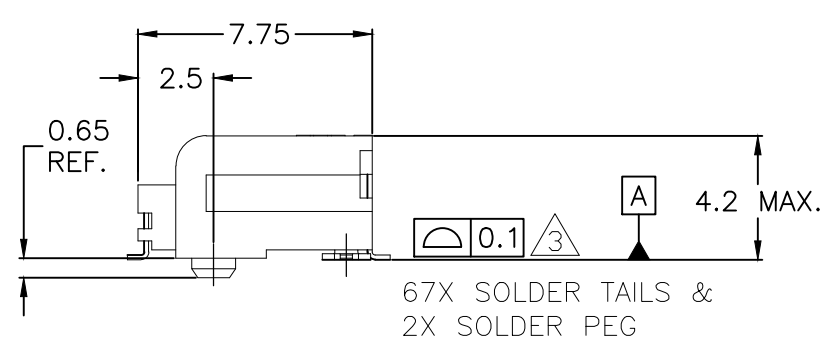
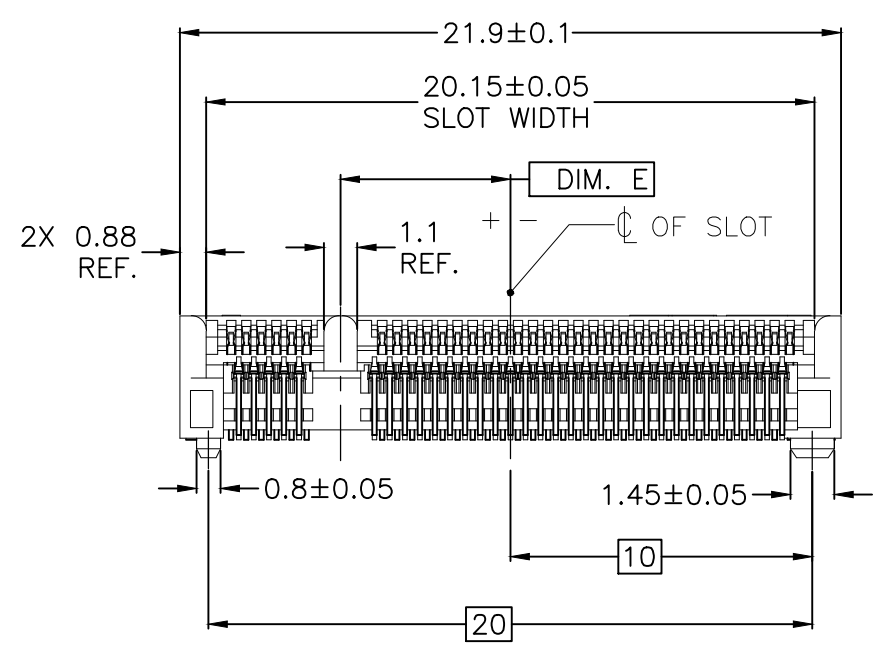
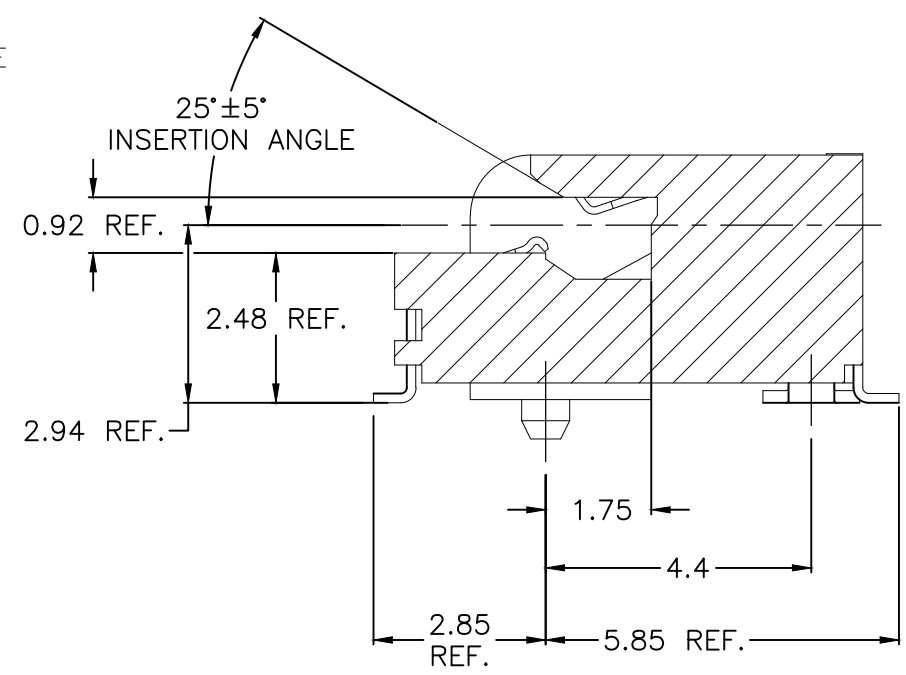
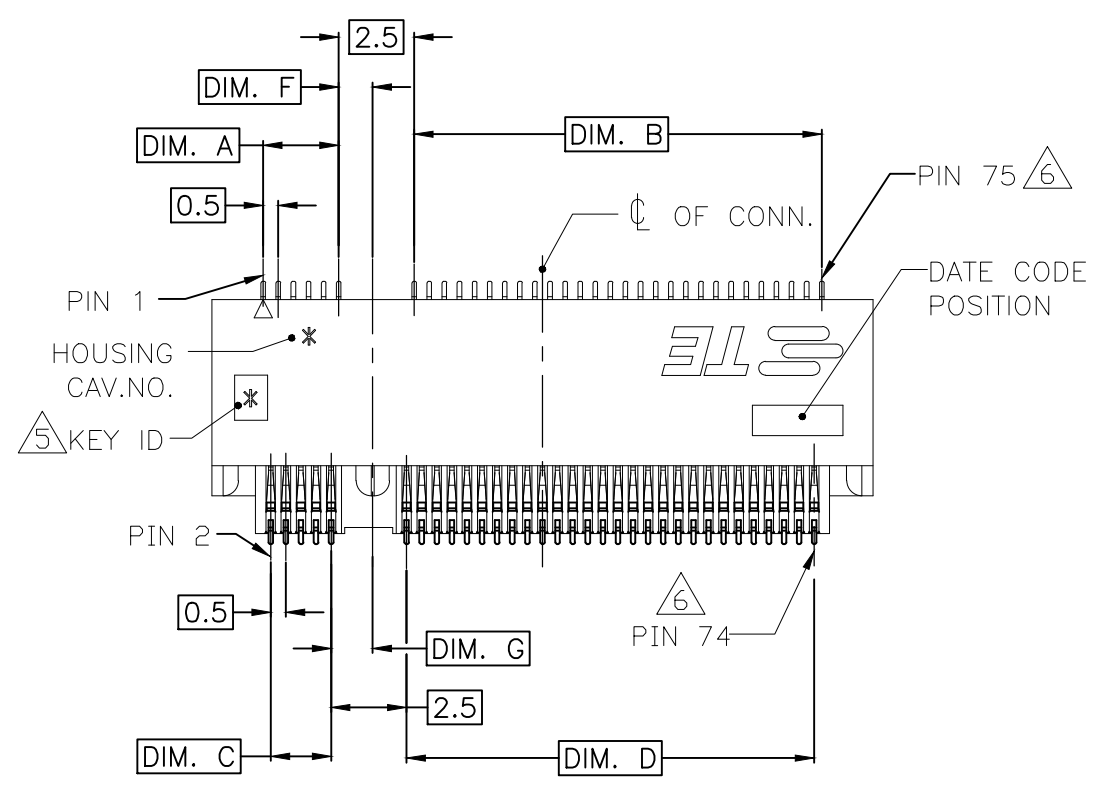


THIS DRAWING IS UNPUBLISHED. RELEASED FOR PUBLICATION  
 © COPYRIGHT - By - ALL RIGHTS RESERVED.

REVISIONS					
P	LTR	DESCRIPTION	DATE	DWN	APVD
	B3	REVISED PER ECR-19-000415	27SEP2019	E.Z	W.H



- NOTES:
- MATERIAL:
    - HOUSING : HIGH TEMPERATURE THERMOPLASTIC UL94V-0, COLOR: BLACK.
    - CONTACT: COPPER ALLOY.
    - SOLDER PEG: STAINLESS STEEL.
  - FINISH:
    - CONTACT: UNDERCOAT NICKEL 50u" min. ALL OVER; MATING AREA: GOLD PLATING, THE THICKNESS SEE TABLE LIST; SOLDERABLE AREA: GOLDFLASH.
    - SOLDER PEG: UNDERCOAT: NICKEL 50u" min. ALL OVER SOLDERABLE AREA: MATTE TIN 100u" min.
  - COPLANARITY: 0.10mm MAX.(BEFORE SOLDERING).
  - ACCEPTED MODULE BASED ON INDUSTRY STD
  - KEY ID, "\*" IS A CAPITAL LETTER PER THE PART NO.
  - THE PIN NO. DEFINITIONS ARE ACCORDING TO PCB FOOTPRINT, THE ACTUAL PIN QUANTITY IS ONLY 67 POS. FOR KEY TAKING OUT 8 POS.
  - THE PRODUCT IS RoHS COMPLIANT, BR 900PPM MAX., CL 900PPM MAX. BR+CL 1500 PPM MAX.
  - MINUS MEANS  $\phi$  OF KEY IS ON THE RIGHT SIDE OF CONN.  $\phi$  IN PAGE 1.

THIS DRAWING IS A CONTROLLED DOCUMENT.		DWN SIMON WU 9OCT2012	TE Connectivity Ltd.		
DIMENSIONS: mm		CHK SIMON LI 9OCT2012			
TOLERANCES UNLESS OTHERWISE SPECIFIED:		APVD COREL WANG 9OCT2012	NAME		
0 PLC ± 0.30		PRODUCT SPEC	M.2(NGFF) MINI CARD MOUNTING TYPE		
1 PLC ± 0.30		APPLICATION SPEC	0.50mm PITCH 67 POS. 4.2mm HEIGHT		
2 PLC ± 0.20		114-115006	FOR DOUBLE SIDED MODULE		
3 PLC ± 0.10		0.64 G	SIZE	CAGE CODE	DRAWING NO
4 PLC ± -		CUSTOMER DRAWING	A3	00779	C-2199230
ANGLES ± 3°			RESTRICTED TO	SCALE	SHEET
FINISH			-	4:1	1 OF 4
MATERIAL					REV B3

THIS DRAWING IS UNPUBLISHED.

RELEASED FOR PUBLICATION

- . - .

REVISIONS


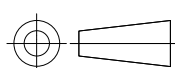
ALL RIGHTS RESERVED.

© COPYRIGHT - By -

P	LTR	DESCRIPTION	DATE	DWN	APVD
-	-	SEE SHEET 1	-	-	-

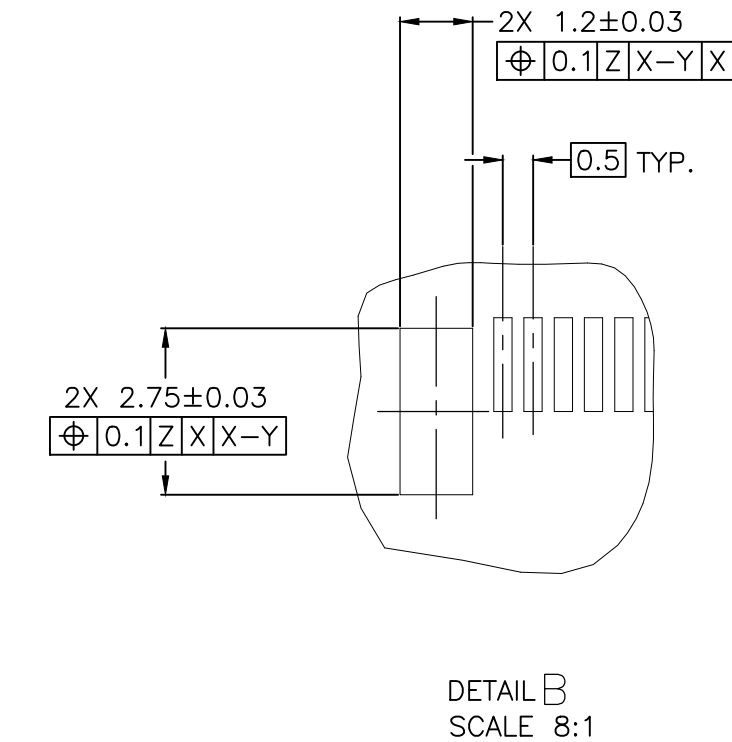
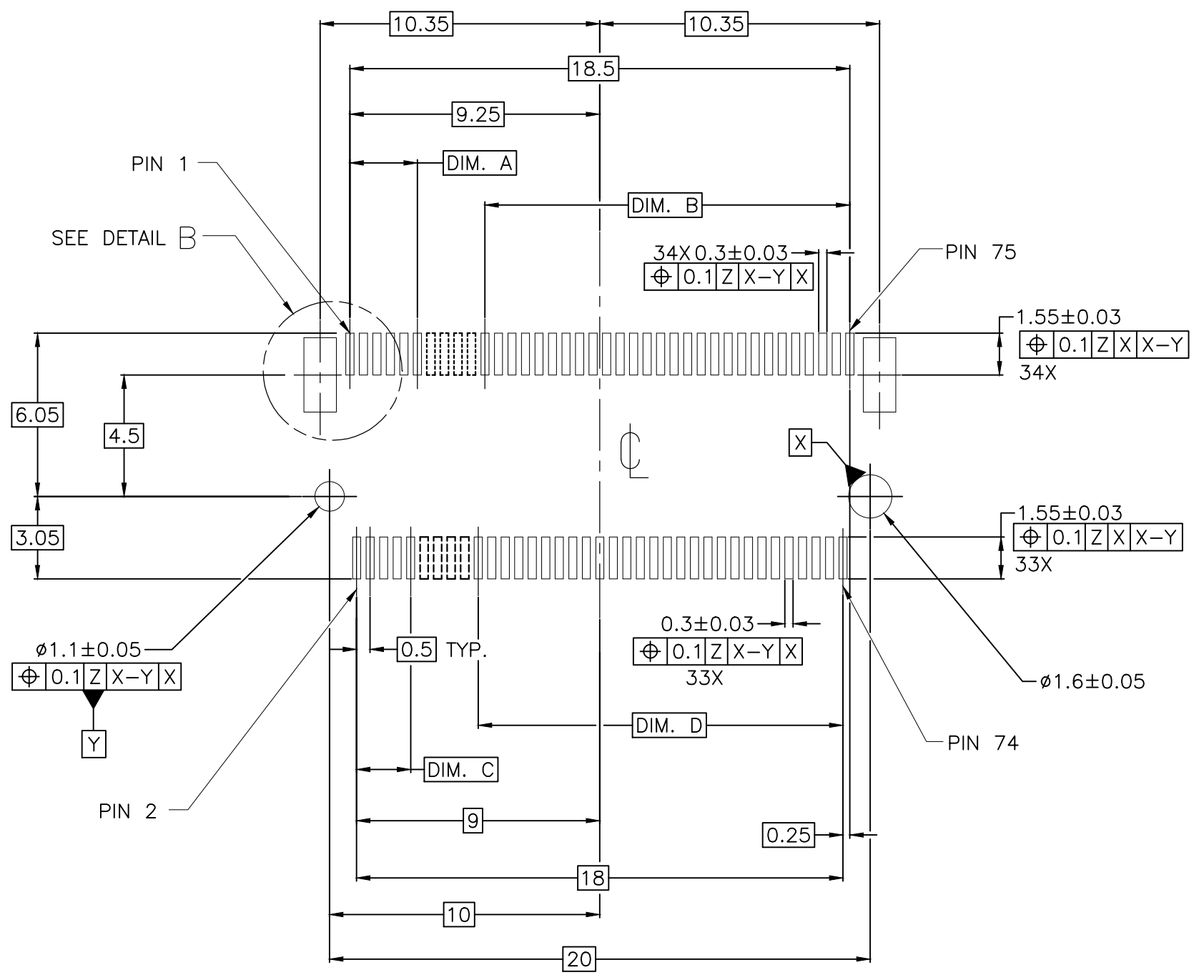


KEY ID.	PRODUCT SPEC.	GOLD SPEC.	DIM. G	DIM. F	DIM. E	DIM. D	DIM. C	DIM. B	DIM. A	PART NO.
M	108-115042	50u" MIN.	1.125	1.375	-6.125	1.5	14.0	2.0	14.0	1-2199230-7
		30u" MIN.								1-2199230-6
		15u" MIN.								1-2199230-5
		10u" MIN.								1-2199230-4
	108-115049	GOLD FLASH								1-2199230-3
A	108-115042	10u" MIN.			6.625	14.5	1.0	14.5	1.5	1-2199230-2
E					2.625	10.5	5.0	10.5	5.5	1-2199230-1
B					5.625	13.5	2.0	13.5	2.5	1-2199230-0
A	108-115042	30u" MIN.	1.375	1.125	6.625	14.5	1.0	14.5	1.5	2199230-9
		15u" MIN.								2199230-8
	108-115049	GOLD FLASH								2199230-7
E	108-115042	30u" MIN.			2.625	10.5	5.0	10.5	5.5	2199230-6
B					5.625	13.5	2.0	13.5	2.5	2199230-5
E					2.625	10.5	5.0	10.5	5.5	2199230-4
B					5.625	13.5	2.0	13.5	2.5	2199230-3
E	108-115042	15u" MIN.			2.625	10.5	5.0	10.5	5.5	2199230-2
B					5.625	13.5	2.0	13.5	2.5	2199230-1
	108-115049	GOLD FLASH			5.625	13.5	2.0	13.5	2.5	2199230-1

THIS DRAWING IS A CONTROLLED DOCUMENT.		DWN SIMON WU 90CT2012	 <b>TE Connectivity Ltd.</b>				
		CHK SIMON LI 90CT2012					
DIMENSIONS: mm 		TOLERANCES UNLESS OTHERWISE SPECIFIED: 0 PLC ± 0.30 1 PLC ± 0.30 2 PLC ± 0.20 3 PLC ± 0.10 4 PLC ± - ANGLES ± 3°	APVD COREL WANG 90CT2012	NAME M.2(NGFF) MINI CARD MOUNTING TYPE 0.50mm PITCH 67 POS. 4.2mm HEIGHT FOR DOUBLE SIDED MODULE			
MATERIAL -		FINISH -	PRODUCT SPEC	SIZE A3	CAGE CODE 00779	DRAWING NO C-2199230	RESTRICTED TO -
CUSTOMER DRAWING			APPLICATION SPEC	SCALE 4:1	SHEET 2 of 4	REV B3	


THIS DRAWING IS UNPUBLISHED. RELEASED FOR PUBLICATION  
 © COPYRIGHT - By - ALL RIGHTS RESERVED.

REVISIONS				
P	LTR	DESCRIPTION	DATE	APVD
-	-	SEE SHEET 1	-	-



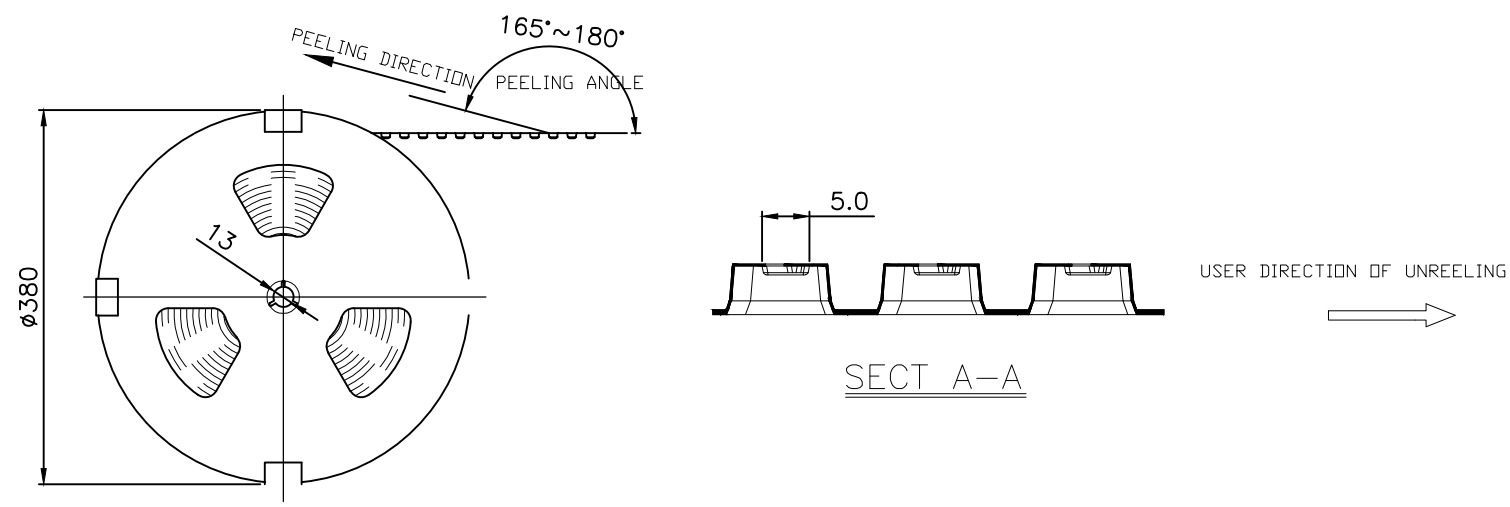
RECOMMENDED NGFF MINI CARD MOUNTING TYPE\_SMT\_PCB OUTLINE  
 DATUM Z: PCB SOLDER SURFACE

M	1.5	14.0	2.0	14.0
E	10.5	5.0	10.5	5.5
B	13.5	2.0	13.5	2.5
A	14.5	1.0	14.5	1.5
KEY ID.	DIM. D	DIM. C	DIM. B	DIM. A

THIS DRAWING IS A CONTROLLED DOCUMENT.		DWN SIMON_WU 90CT2012	 TE Connectivity Ltd.	
DIMENSIONS: mm		CHK SIMON_LI 90CT2012		
TOLERANCES UNLESS OTHERWISE SPECIFIED:		APVD COREL_WANG 90CT2012	NAME M.2(NGFF) MINI CARD MOUNTING TYPE 0.50mm PITCH 67 POS. 4.2mm HEIGHT FOR DOUBLE SIDED MODULE	
0 PLC ± 0.30 1 PLC ± 0.30 2 PLC ± 0.20 3 PLC ± 0.10 4 PLC ± - ANGLES ± 3°		PRODUCT SPEC	RESTRICTED TO	
MATERIAL		APPLICATION SPEC	SIZE A3	CAGE CODE 00779
FINISH		WEIGHT	DRAWING NO C-2199230	REV B3
CUSTOMER DRAWING			SCALE 5:1	SHEET 3 OF 4

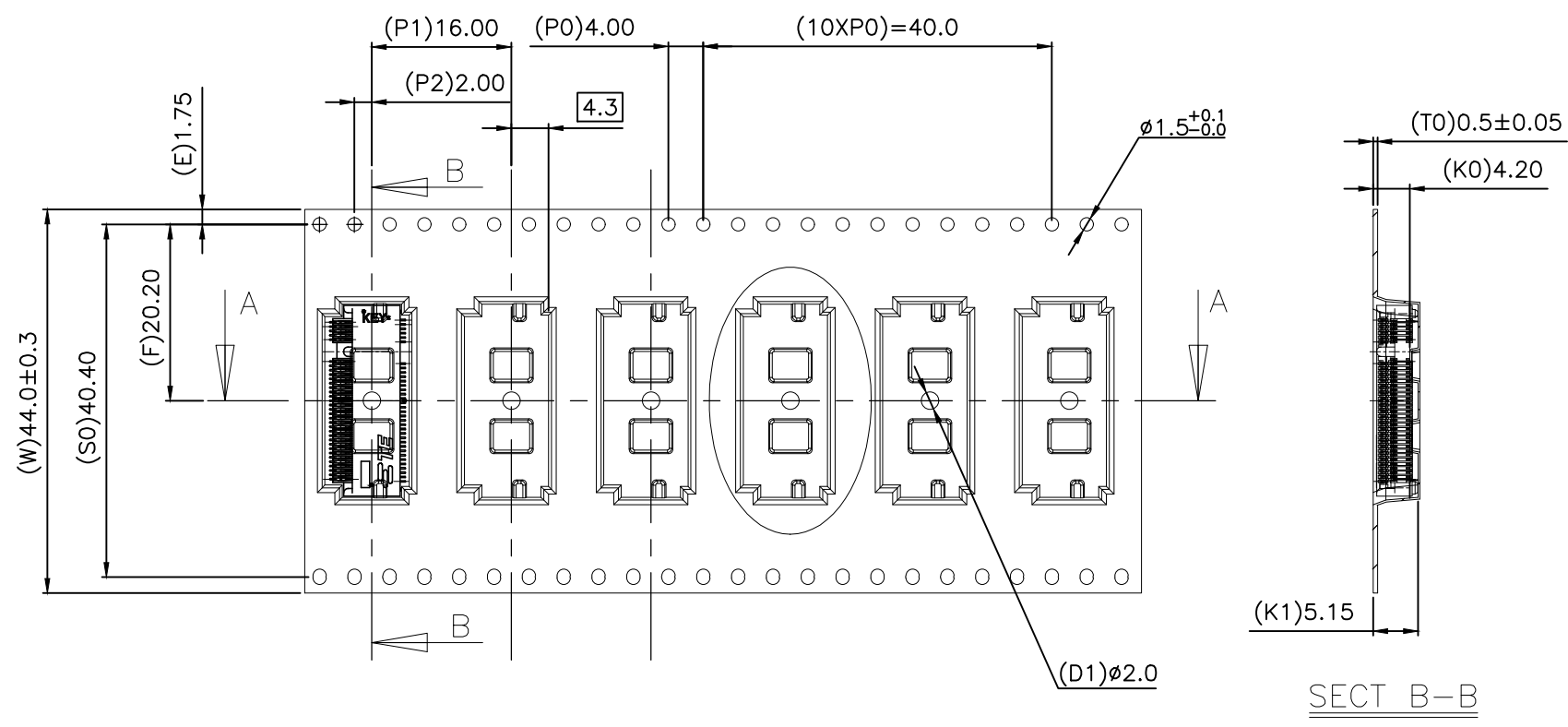
THIS DRAWING IS UNPUBLISHED. RELEASED FOR PUBLICATION  
 © COPYRIGHT - By - ALL RIGHTS RESERVED.

REVISIONS					
P	LTR	DESCRIPTION	DATE	DWN	APVD
-	-	SEE SHEET 1	-	-	-



NOTES: (APPLIED TO CURRENT SHEET)

1. THE DIRECTION OF EACH CONNECTOR ON A EMBOSS IS REFERRED TO THIS DRAWING.
2. GENERAL TOLERANCE:  $\pm 0.5$ ,  $\pm 3^\circ$
3. PACKAGED IN EMBOSS TAPE AND PLASTIC RELL 1000PCS PER REEL.



THIS DRAWING IS A CONTROLLED DOCUMENT.		DWN SIMON WU 90CT2012	<b>TE Connectivity Ltd.</b>					
DIMENSIONS: mm		CHK SIMON LI 90CT2012				NAME		
		APVD COREL WANG 90CT2012				M.2(NGFF) MINI CARD MOUNTING TYPE 0.50mm PITCH 67 POS. 4.2mm HEIGHT FOR DOUBLE SIDED MODULE		
TOLERANCES UNLESS OTHERWISE SPECIFIED:		PRODUCT SPEC				SIZE		
0 PLC ± 0.30 1 PLC ± 0.30 2 PLC ± 0.20 3 PLC ± 0.10 4 PLC ± - ANGLES ± 3°		APPLICATION SPEC	CAGE CODE	DRAWING NO	RESTRICTED TO			
MATERIAL		WEIGHT	A3	00779	C-2199230	-		
FINISH		CUSTOMER DRAWING	SCALE	SHEET	REV			
-			N/A	4 OF 4	B3			

单击下面可查看定价，库存，交付和生命周期等信息

[>>TE Connectivity\(泰科\)](#)