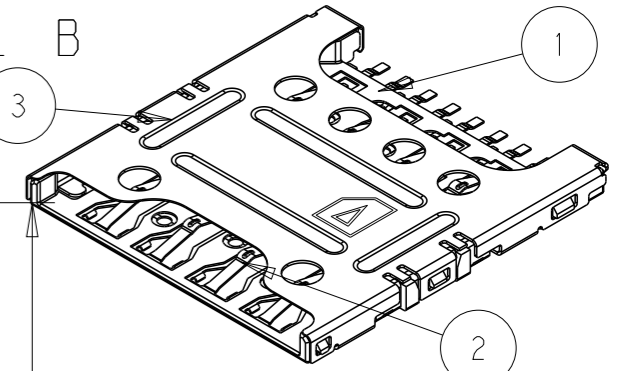
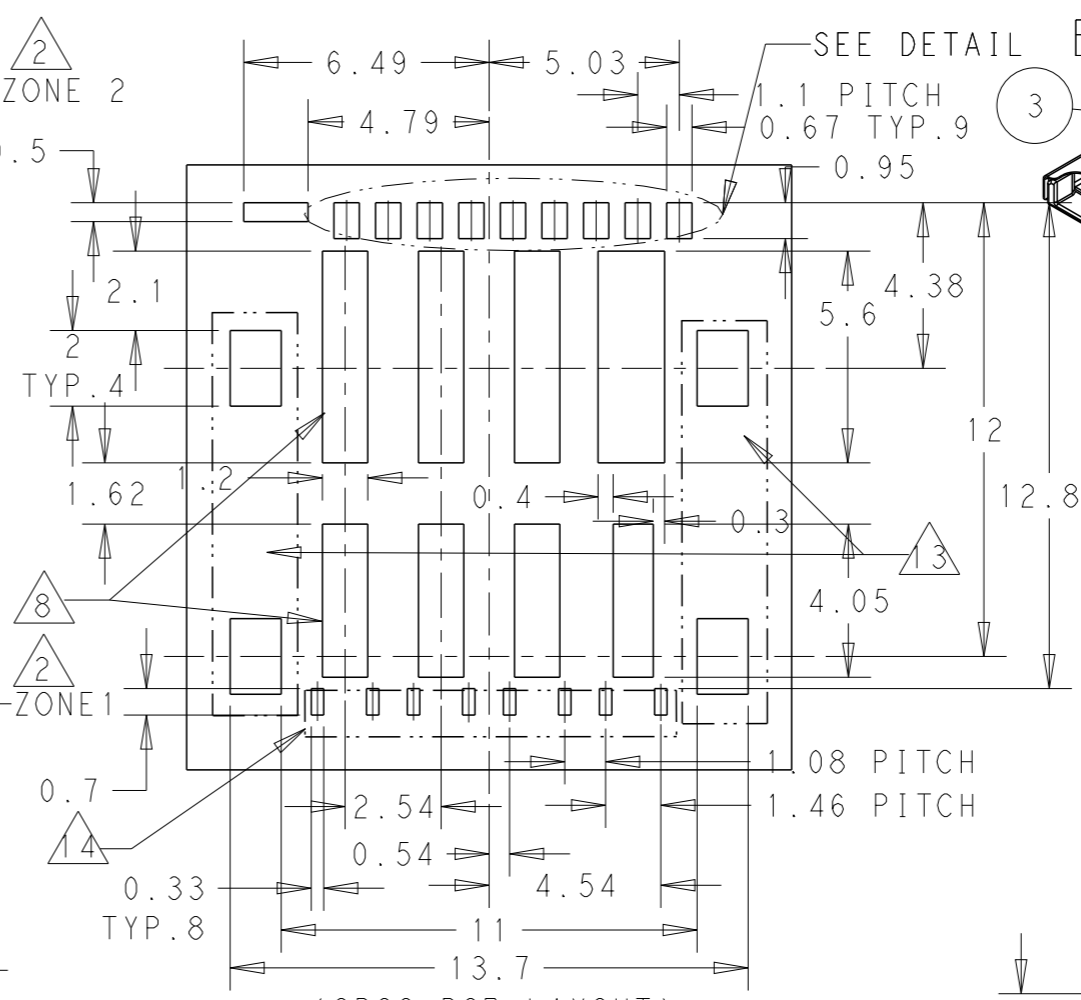
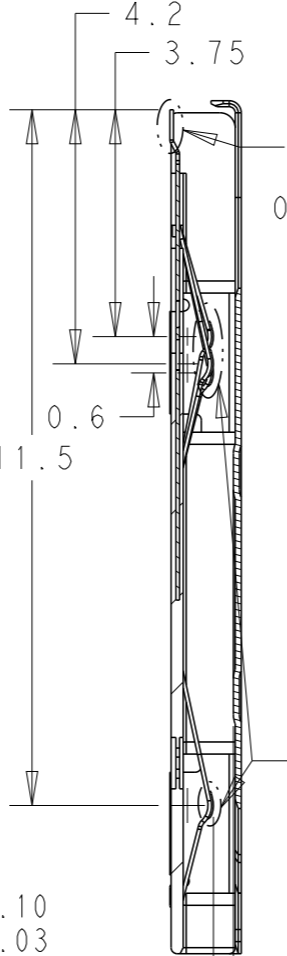
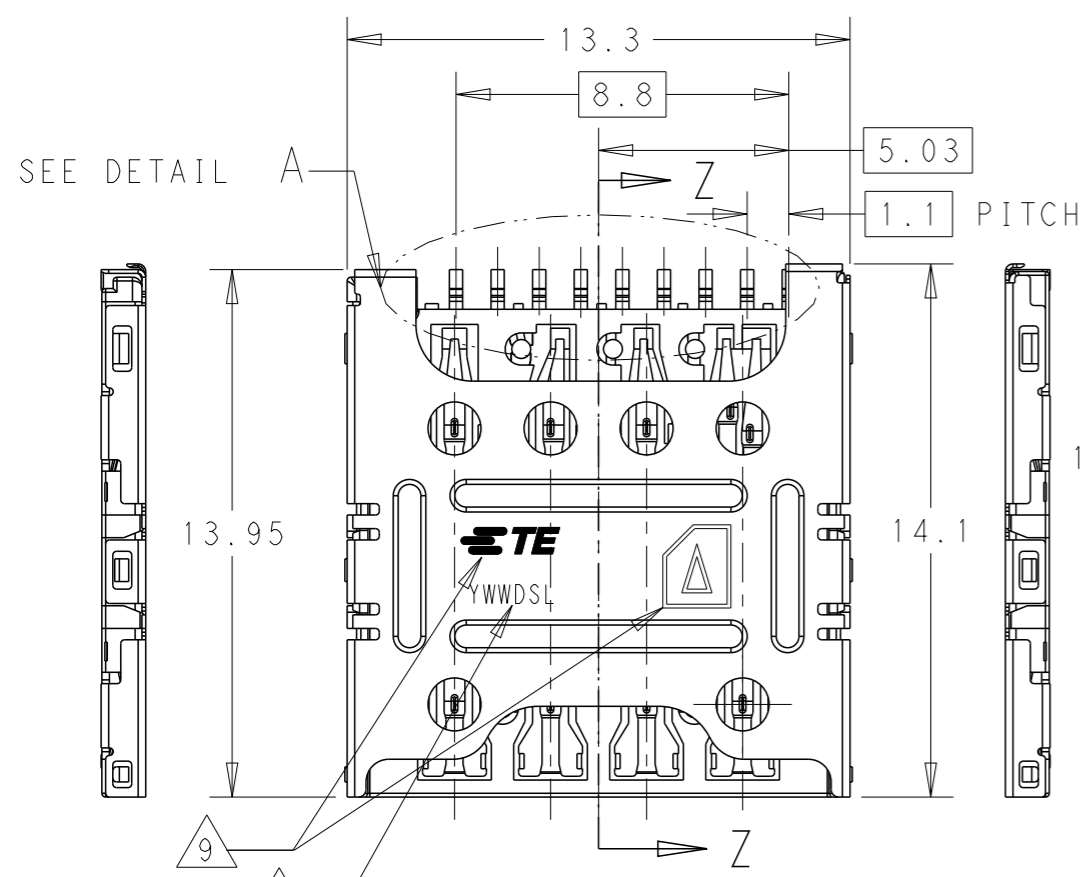


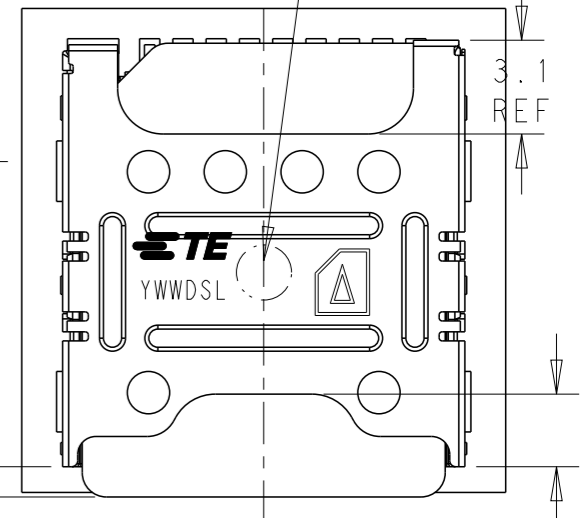
THIS DRAWING IS UNPUBLISHED. RELEASED FOR PUBLICATION 20
© COPYRIGHT 20 BY - ALL RIGHTS RESERVED.

P		LTR		DESCRIPTION	DATE	DWN	APVD
A		THE OFFICIAL VERSION RELEASED		19APR17	R.Z	C.W	

8POS AS SHOWN



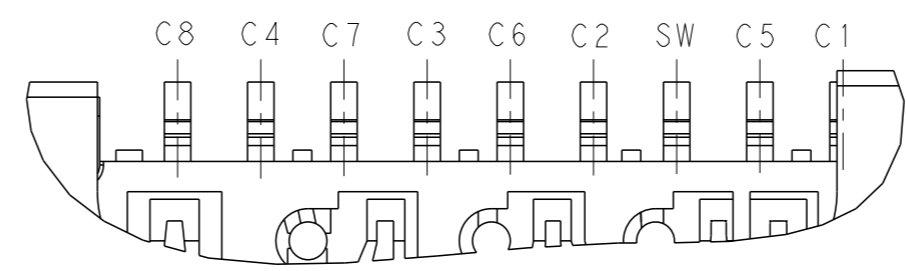
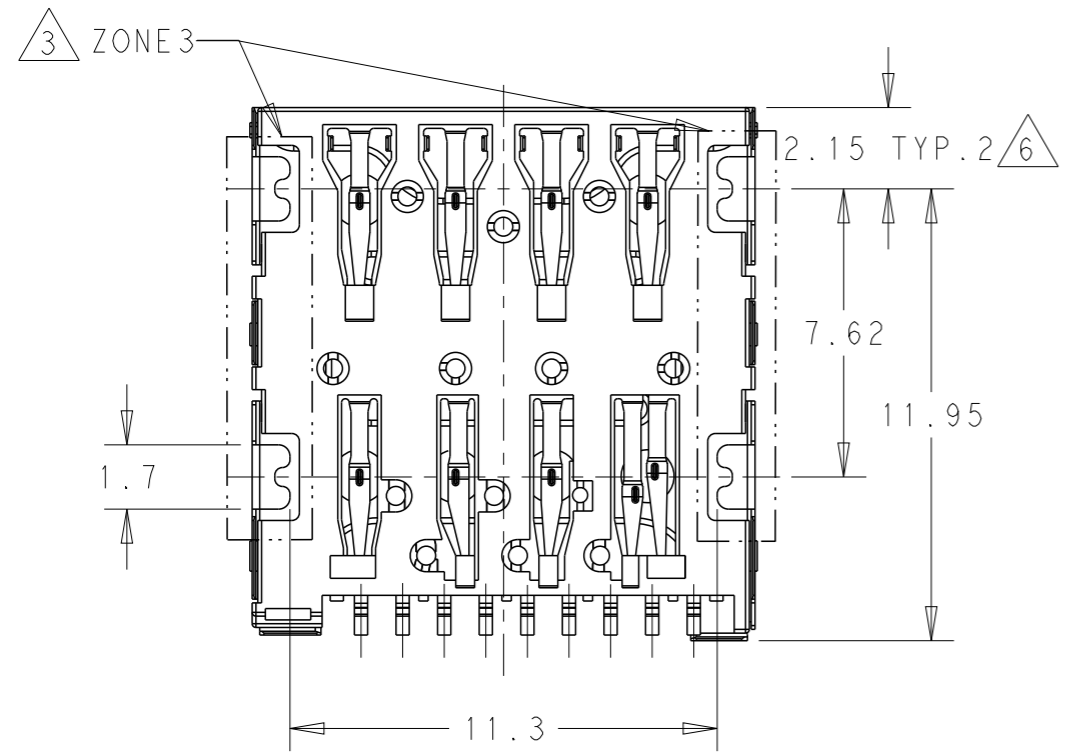
VACUUM AREA (Ø2.0)



SECTION Z-Z SCALE 8:1

(8POS PCB LAYOUT) TOLERANCE: ±0.05

(MATING CONDITION)



DETAIL A SCALE 10:1

2199337-5 (8POS)	3	SHELL	3
	2	CONTACT	2
	1	HOUSING	1
P/N	NO	COMPONENT	MATERIAL/FINISH

THIS DRAWING IS A CONTROLLED DOCUMENT.		DWN	B.Wong	27-Mar-14
DIMENSIONS: mm		CHK	S.Li	27-Mar-14
TOLERANCES UNLESS OTHERWISE SPECIFIED:		APVD	C.Wang	27-Mar-14
0 PLC	±0.2	PRODUCT SPEC	108-115082	
1 PLC	±0.2	APPLICATION SPEC	-	
2 PLC	±0.2	WEIGHT	0.195g	
3 PLC	±0.2	CUSTOMER DRAWING	-	
4 PLC	±0.2			
ANGLES	±			
FINISH	-			

STE TE Connectivity

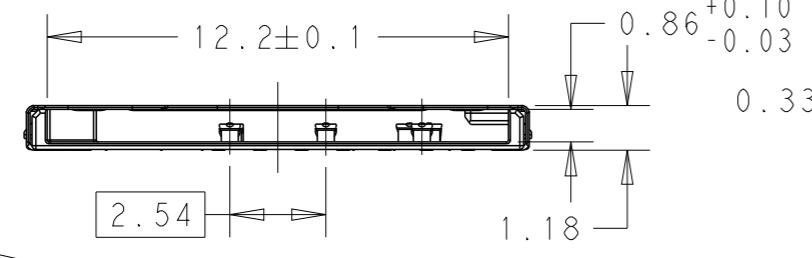
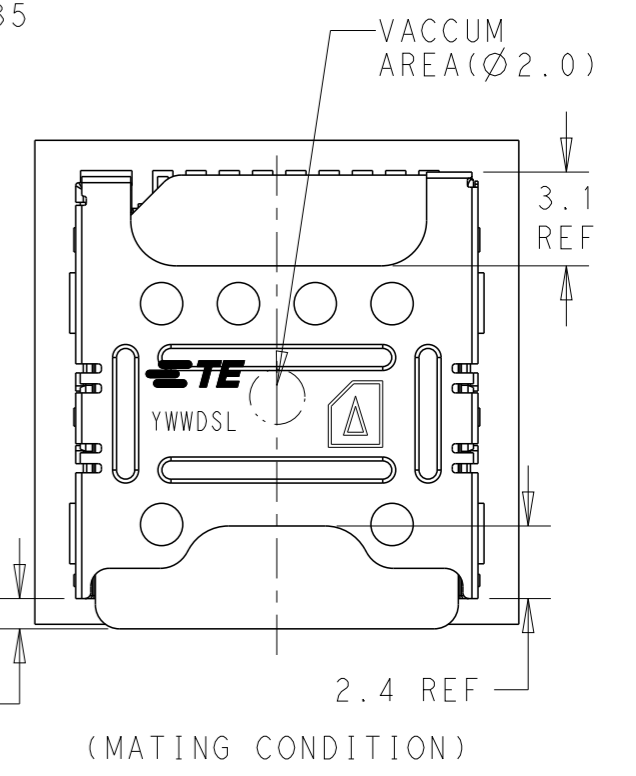
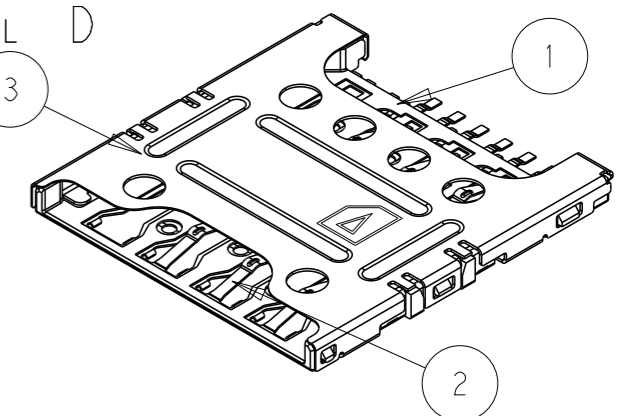
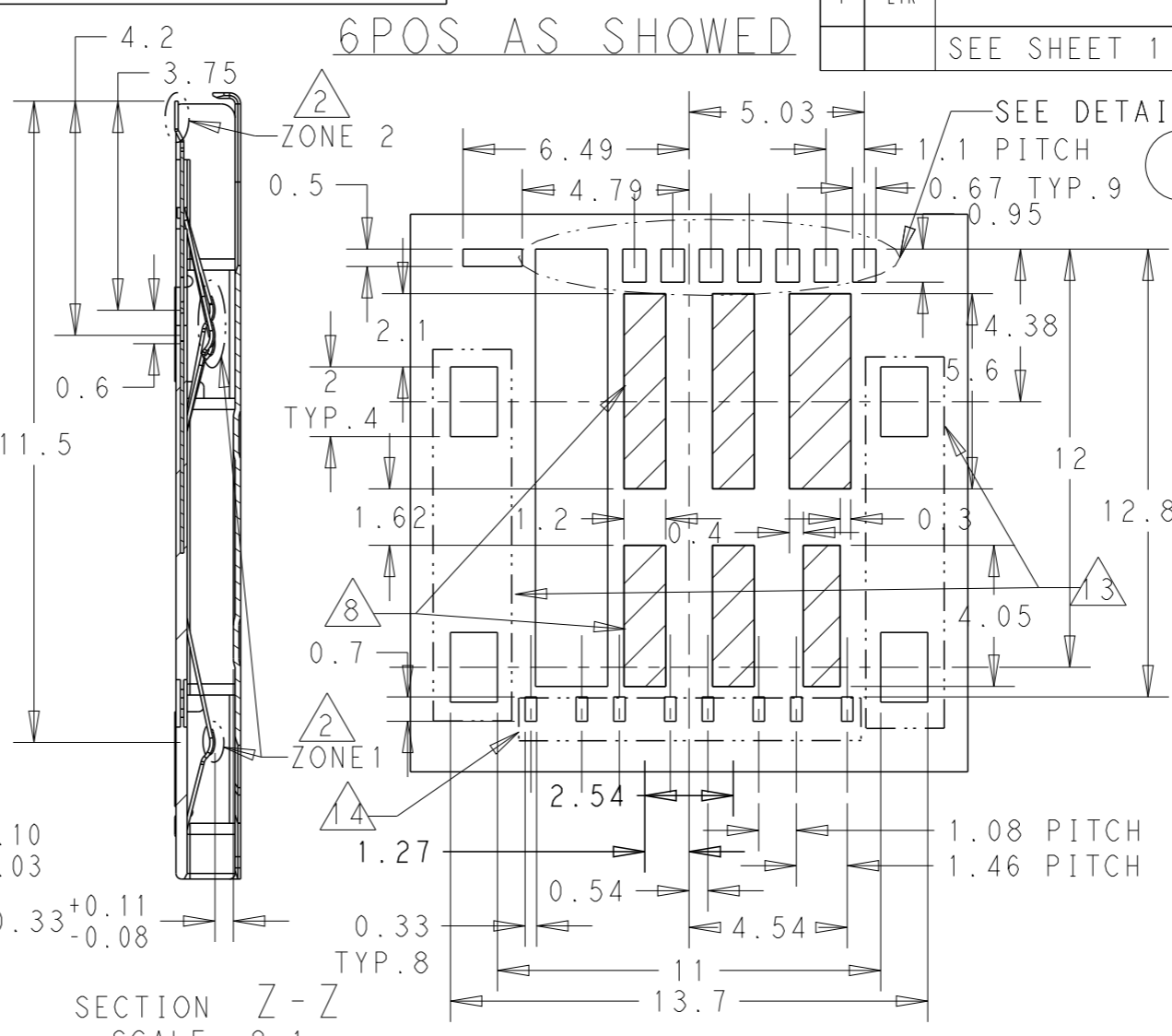
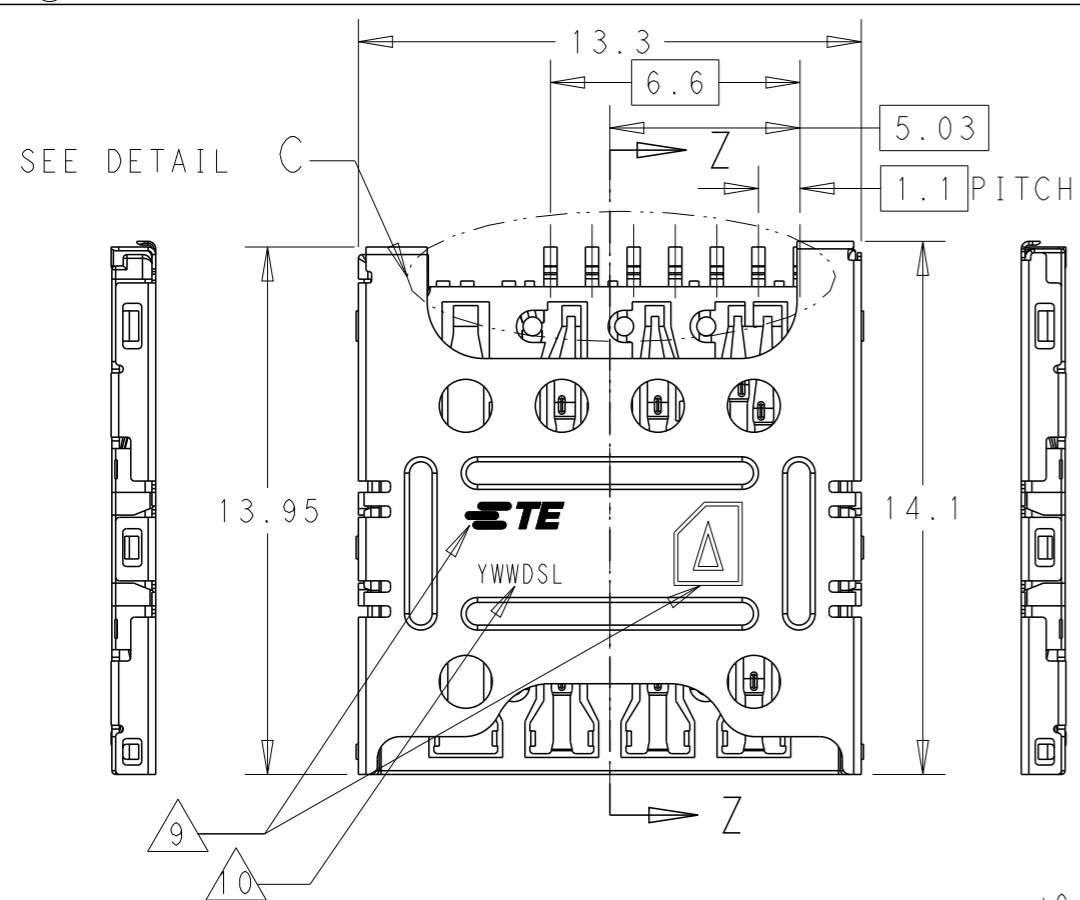
ASSEMBLY FOR MICRO SIM H1.18 PUSH-PULL

SIZE	CAGE CODE	DRAWING NO	RESTRICTED TO
A3	00779	C-2199337	-

SCALE 5:1 SHEET 1 OF 4 REV A

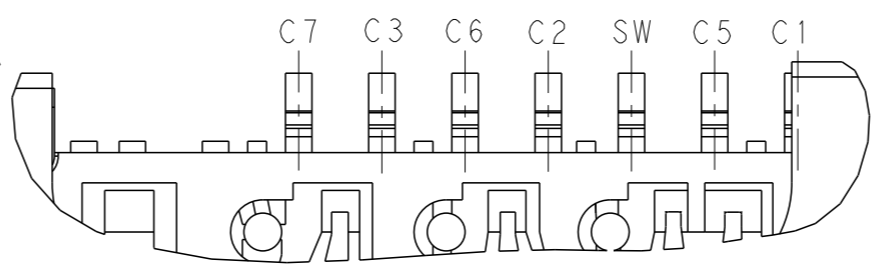
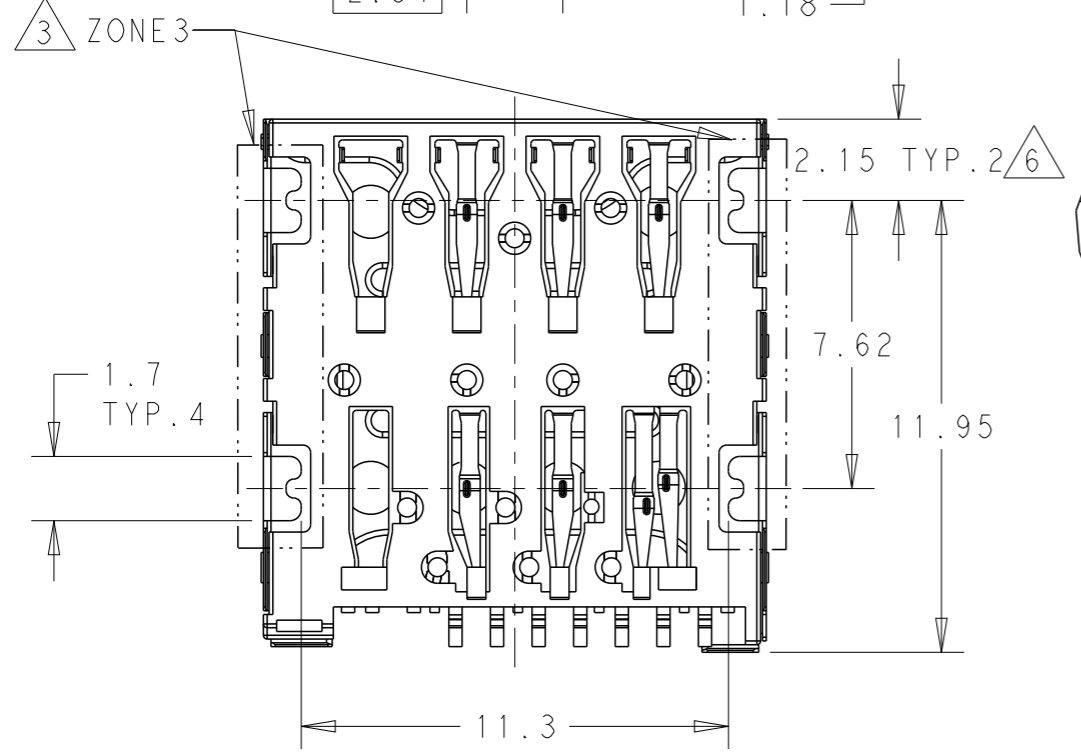
THIS DRAWING IS UNPUBLISHED. RELEASED FOR PUBLICATION 20
COPYRIGHT 20 BY - ALL RIGHTS RESERVED.

P		LTR		DESCRIPTION	DATE	DWN	APVD
				SEE SHEET 1			



SECTION Z-Z
SCALE 8:1

(6POS PCB LAYOUT)
TOLERANCE: ±0.05



DETAIL C
SCALE 10:1
PIN NO.

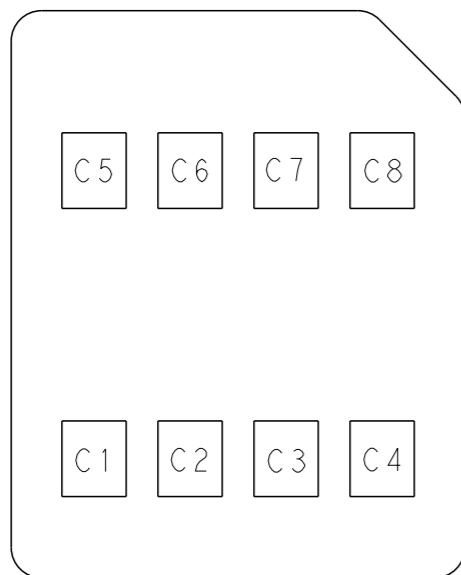
P/N	NO	COMPONENT	MATERIAL/FINISH
2199337-2 (6POS)	3	SHELL	3
	2	CONTACT	2
	1	HOUSING	1

THIS DRAWING IS A CONTROLLED DOCUMENT.		DWN B. Wong 27-Mar-14	STE TE Connectivity NAME ASSEMBLY FOR MICRO SIM H1.18 PUSH-PULL SIZE A3 CAGE CODE - DRAWING NO C-2199337 RESTRICTED TO - SCALE 5:1 SHEET 2 OF 4 REV A
DIMENSIONS: mm	TOLERANCES UNLESS OTHERWISE SPECIFIED:	CHK S. Li 27-Mar-14	
	0 PLC ±0.2 1 PLC ±0.2 2 PLC ±0.2 3 PLC ±0.2 4 PLC ±0.2 ANGLES ±	APVD C. Wang 27-Mar-14	
MATERIAL	FINISH	PRODUCT SPEC APPLICATION SPEC WEIGHT	
CUSTOMER DRAWING			

REVISIONS

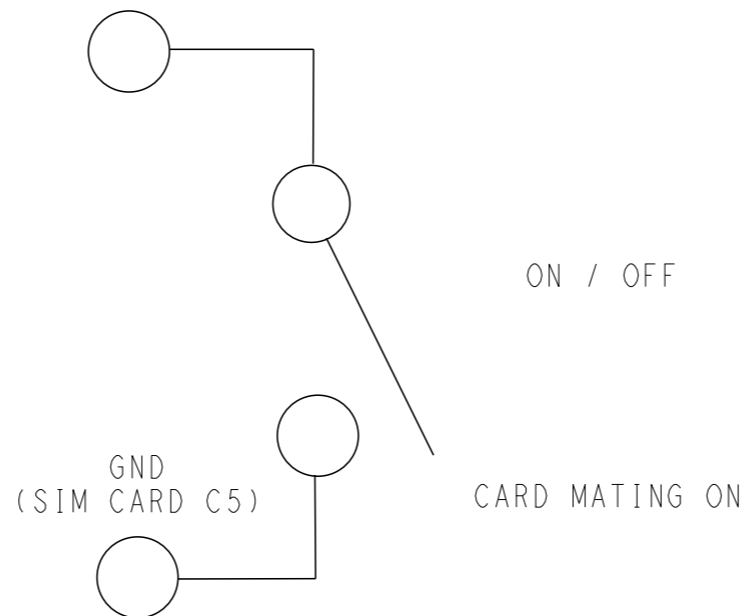
P	LTR	DESCRIPTION	DATE	DWN	APVD
		SEE SHEET 1			

0.76±0.08

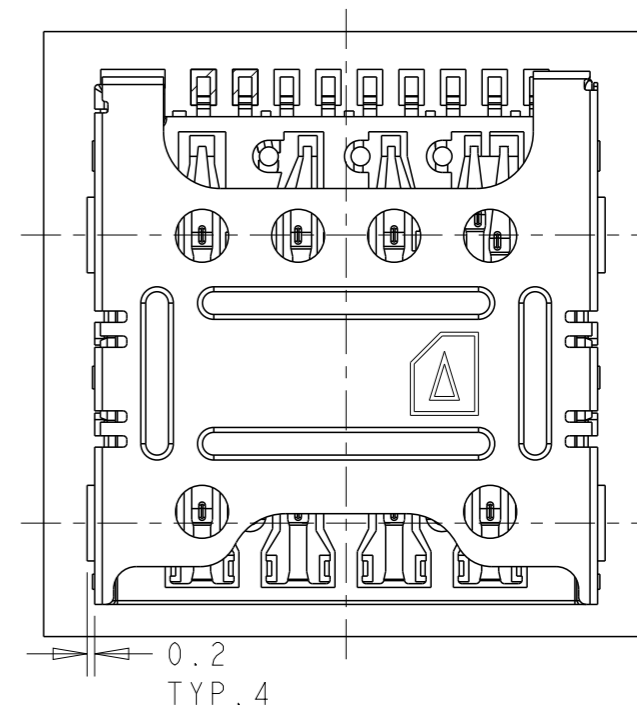


SIM CARD PAD LAYOUT

DETECTION SWITCH(SW)



CIRCUIT DRAWING OF SWITCH

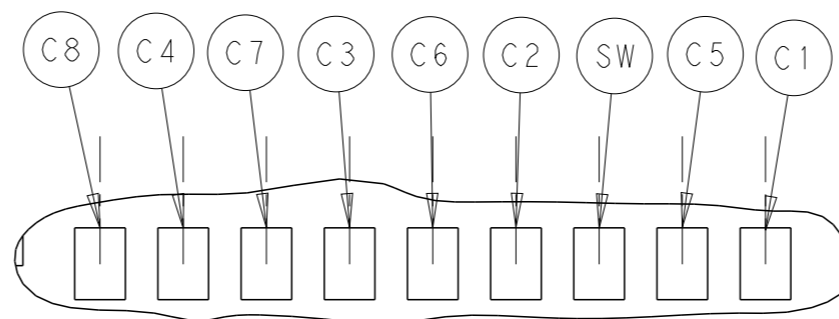


MATCH WITH PCB LAYOUT

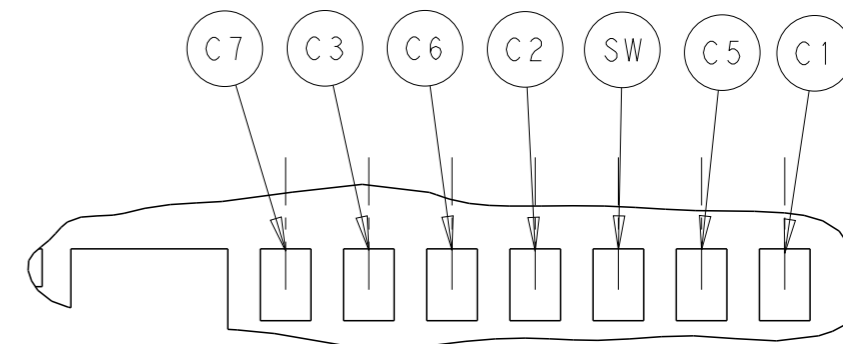
SCALE <5:1>

SW	DETECTION SWITCH
C8	RESERVED
C7	I/O
C6	VPP
C5	GND
C4	RESERVED
C3	CLK
C2	RST
C1	VCC
PIN No.	PIN NAME

SIM CARD PIN ASSIGNMENT




DETAIL B
SCALE 10:1
8POS TYPE



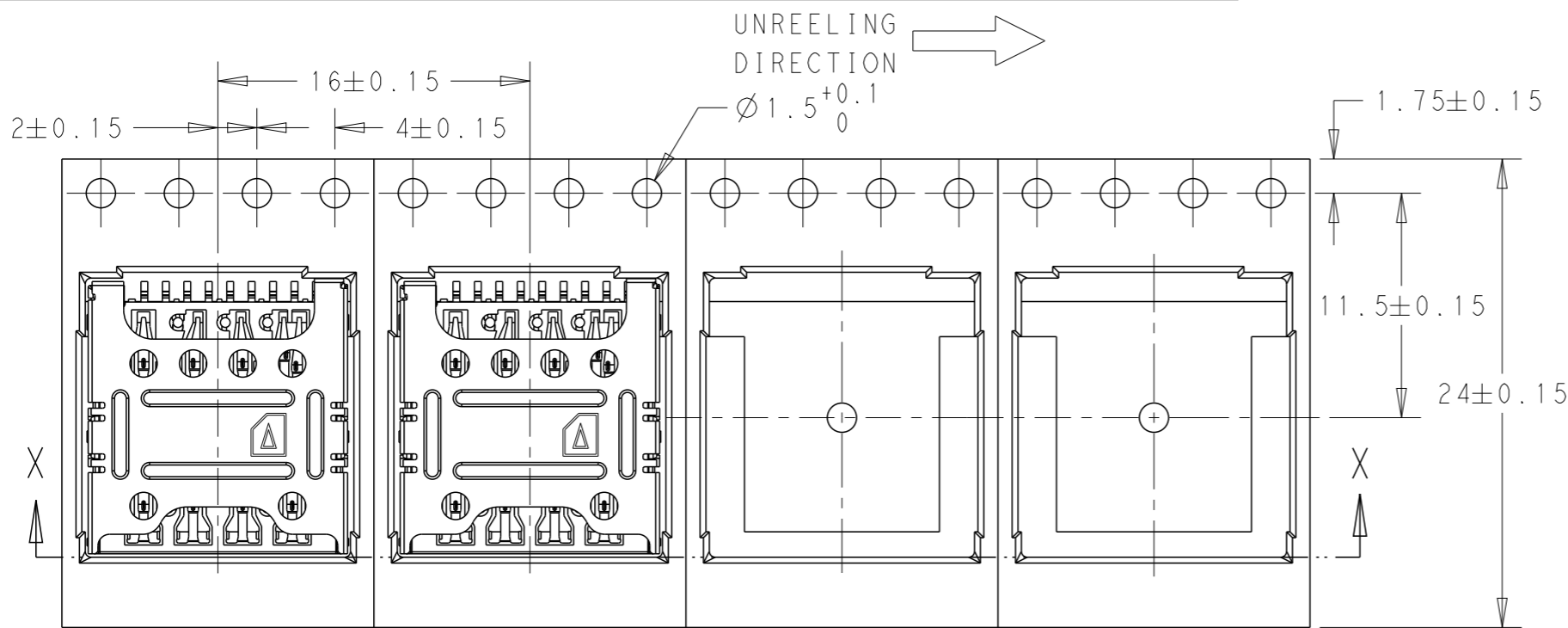
DETAIL D
SCALE 10:1
6POS TYPE

PCB LAYOUT(REFERENCE)
(VIEW FROM CONNECTOR MOUNT SIDE)

THIS DRAWING IS A CONTROLLED DOCUMENT.		DWN B. Wong 27-Mar-14	 TE Connectivity	NAME		
DIMENSIONS: mm		CHK S. Li 27-Mar-14		ASSEMBLY FOR MICRO SIM H1.18 PUSH-PULL		
TOLERANCES UNLESS OTHERWISE SPECIFIED:		APVD C. Wang 27-Mar-14		SIZE	CAGE CODE	DRAWING NO
0 PLC ±0.2 1 PLC ±0.2 2 PLC ±0.2 3 PLC ±0.2 4 PLC ±0.2 ANGLES ±-		PRODUCT SPEC		A3	-	©-2199337
MATERIAL		APPLICATION SPEC	WEIGHT	RESTRICTED TO		
		FINISH	CUSTOMER DRAWING	SCALE 3:1	SHEET 3 OF 4	
				REV A		

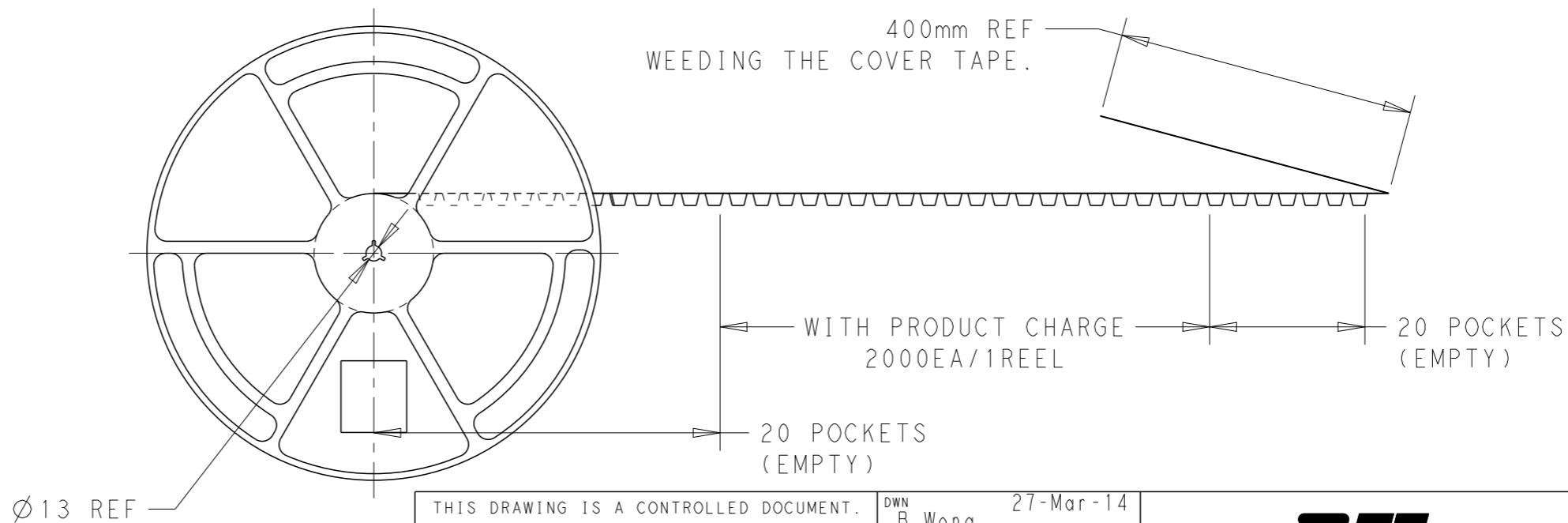
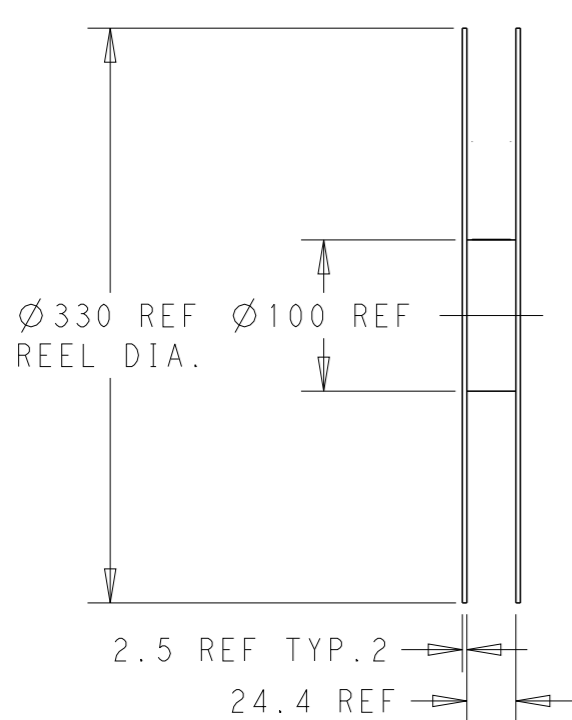
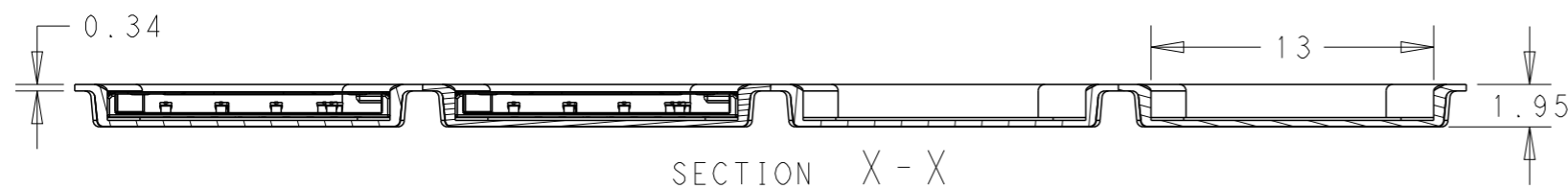
REVISIONS

P	LTR	DESCRIPTION	DATE	DWN	APVD
		SEE SHEET 1			



1. HOUSING MATERIAL : THERMO PLASTIC RESIN.
2. CONTACT MATERIAL : COPPER ALLOY.
FINISH : 1.3um MIN. NICKEL UNDERPLATING ALL OVER, GOLD PLATING 0.3um MIN. ON ZONE 1, GOLD PLATING 0.05um MIN. ON ZONE 2.
3. SHELL MATERIAL : STAINLESS STEEL.
FINISH : 1.3um MIN. NICKEL UNDERPLATING ALL OVER, TIN PLATING 1.0um MIN. ZONE 3.
4. COPLANARITY : 0.08MAX BEFORE IR.
5. COPLANARITY MEASURED ON 9 CONTACTS AND 5 CLIP PEGS IN ONE PASS.
6. DIMENTION MEASURED FROM PLASTIC TO CENTER OF CLIP PEGS.
7. EASY BROKEN BURR IS NOT PERMITTED.
8. NO STRIP-LINE AREA
9. TE LOGO, CARD INSERTION LOGO
10. DATE CODE : YWDSL (YEAR, WEEK , DAY, SHIFT, LINE)
 - 1.1 DO NOT CONTAIN ANY SUBSTANCE WHICH ARE SPECIFIED IN (OQA-2049)
 - 1.2 PACKING QUANTITY : 2000PCS/REEL
 - 1.3 GROUND PATTERN
 - 1.4 THIS PATTERN IS NOT GROUND.

SCALE 3:1



THIS DRAWING IS A CONTROLLED DOCUMENT.		DWN B. Wong 27-Mar-14	STE TE Connectivity	
DIMENSIONS: mm		CHK S. Li 27-Mar-14		
TOLERANCES UNLESS OTHERWISE SPECIFIED:		APVD C. Wang 27-Mar-14	NAME ASSEMBLY FOR MICRO SIM H1.18 PUSH-PULL	
0 PLC ±0.2		PRODUCT SPEC -	SIZE A3	
1 PLC ±0.2		APPLICATION SPEC -	CAGE CODE -	DRAWING NO C-2199337
2 PLC ±0.2		WEIGHT -	RESTRICTED TO -	
3 PLC ±0.2		CUSTOMER DRAWING	SCALE 3:1	SHEET 4 OF 4
4 PLC ±0.2				REV A
ANGLES ±-				
FINISH -				
MATERIAL -				

单击下面可查看定价，库存，交付和生命周期等信息

[>>TE Connectivity\(泰科\)](#)