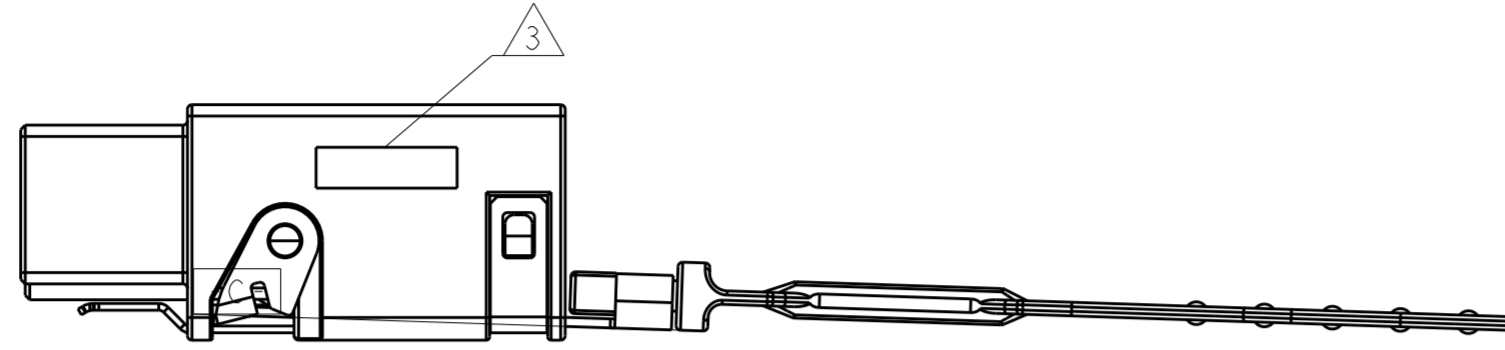


THIS DRAWING IS UNPUBLISHED. RELEASED FOR PUBLICATION 20  
 © COPYRIGHT 20 BY - ALL RIGHTS RESERVED.

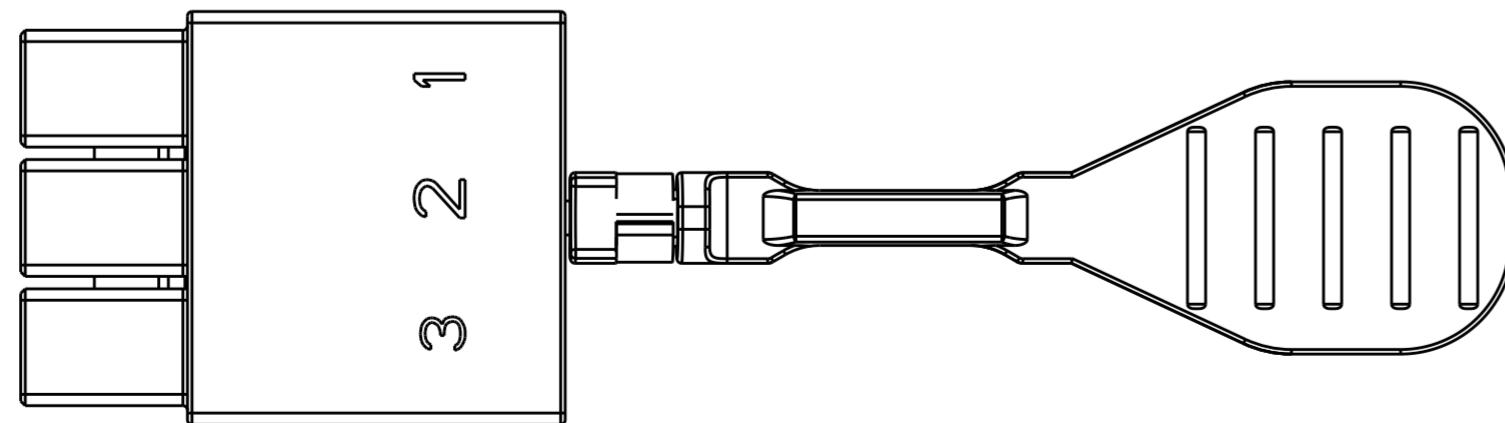
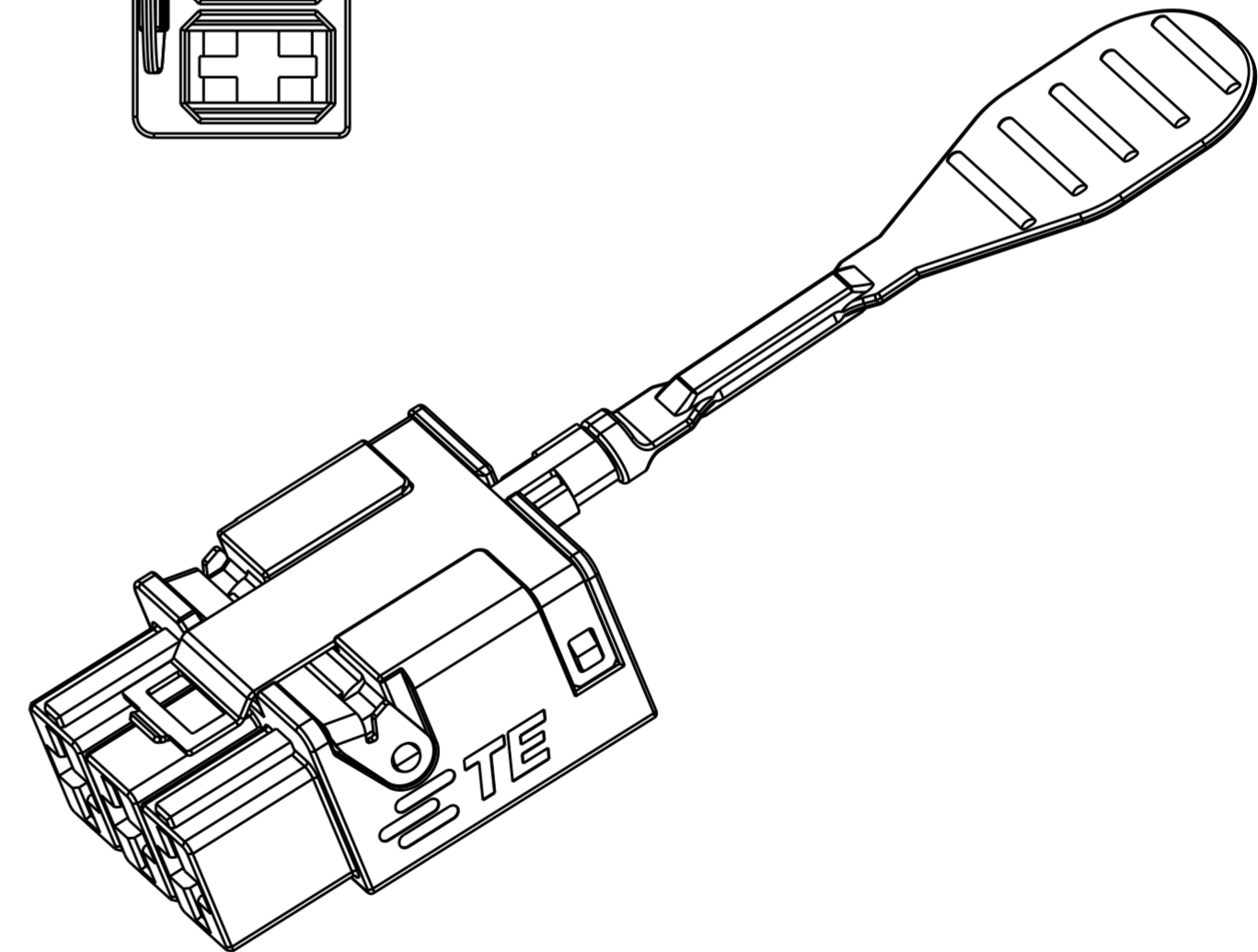
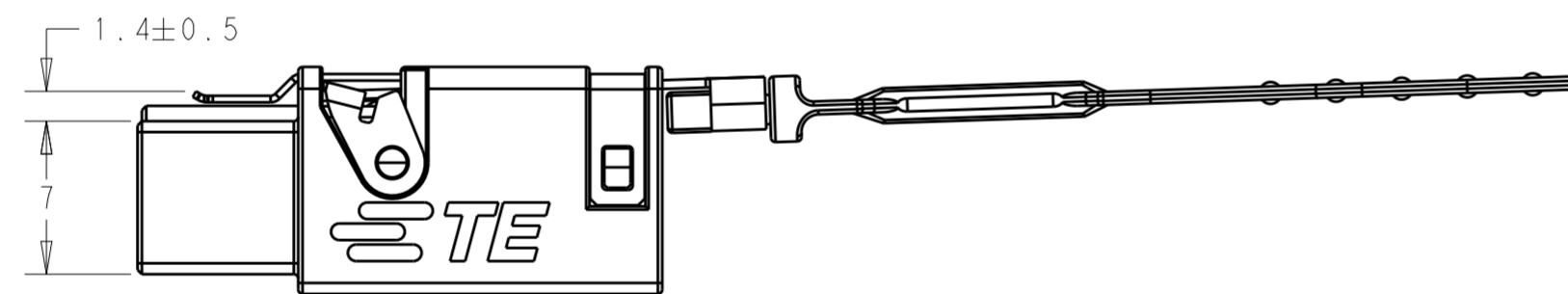
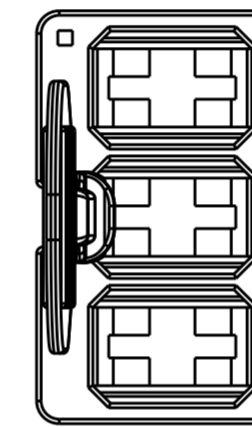
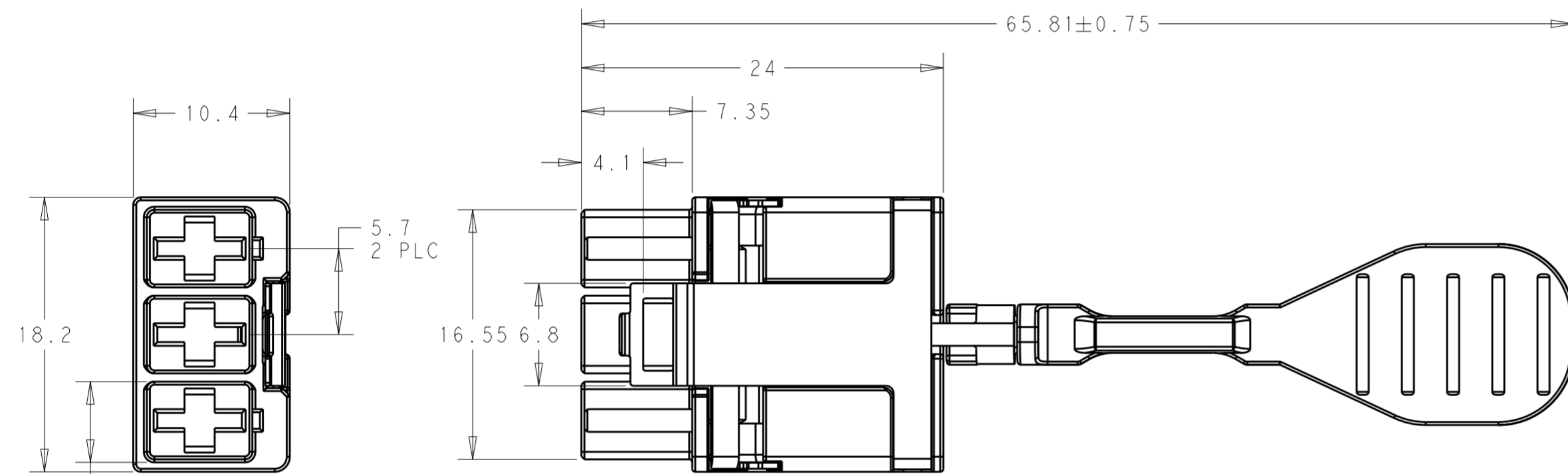
REVISIONS				
P	LTR	DESCRIPTION	DATE	APVD
B3		DESIGN CHANGE FOR -3	05MAR2020	OL SZ



① USED FOR STANDARD POWER TIMER CONTACTS, FOR CONTACTS PART NUMBER, PLEASE SEE DRAWING 1355048

② ALLOWED MAX. WIRE SIZE 6MM2. THE INSULATION CRIMP FOR 6MM2 WIRE SHOULD USE OVAL CRIMPING AND SUGGESTED CRIMP WIDTH IS 4.7MM AND HEIGHT IS 6.8MM

③ CABLE HOUSING PART NUMBER AND DATECODE

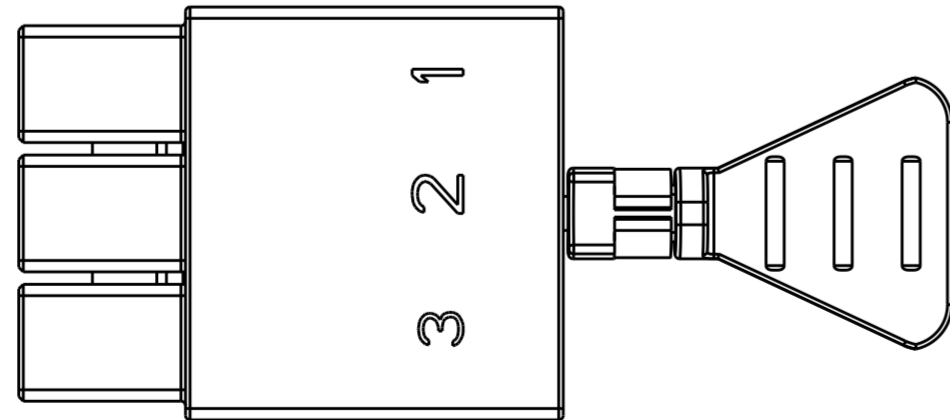
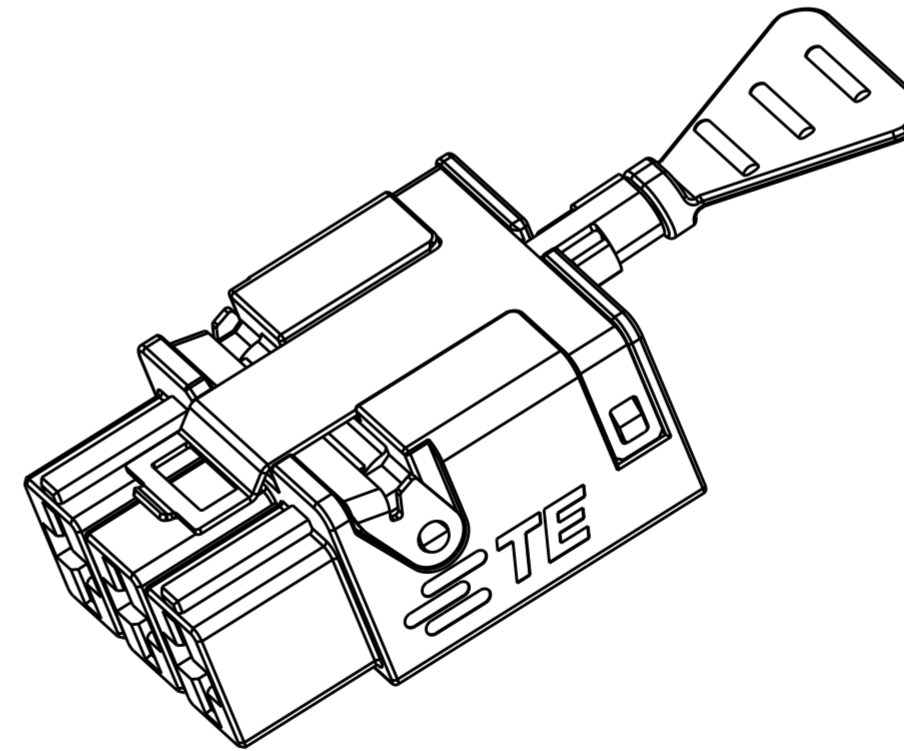
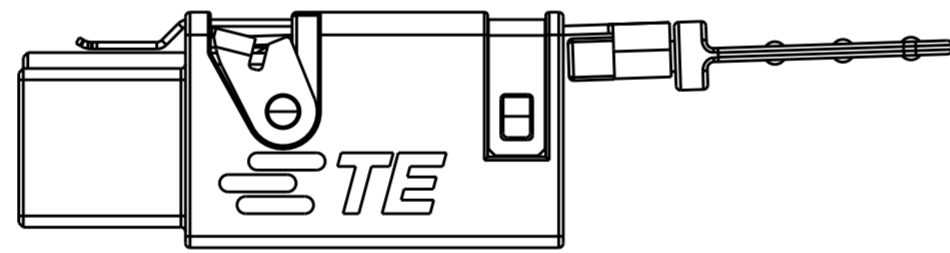
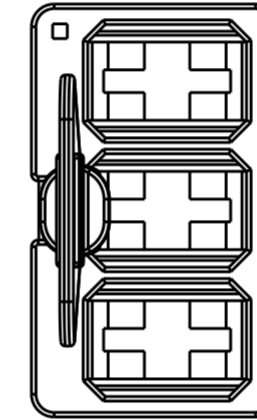
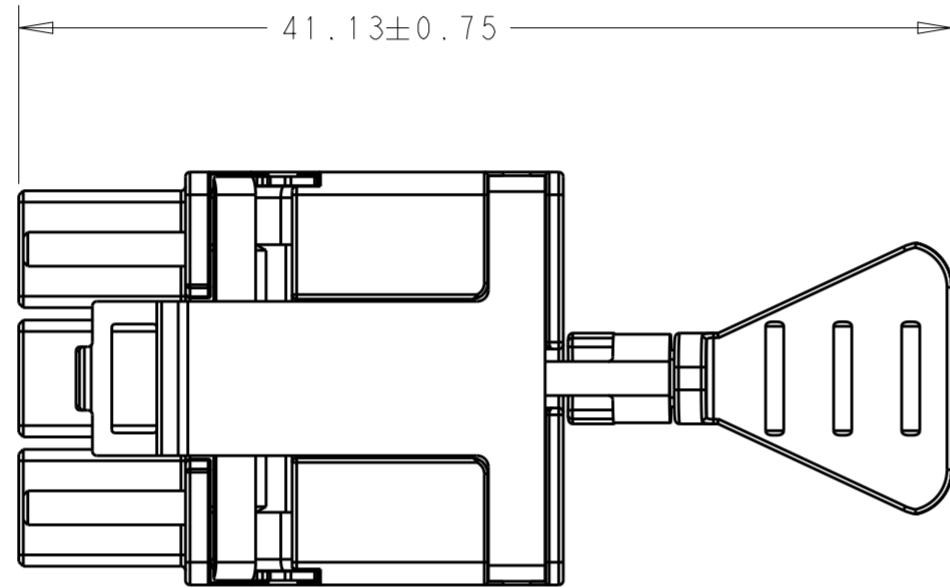
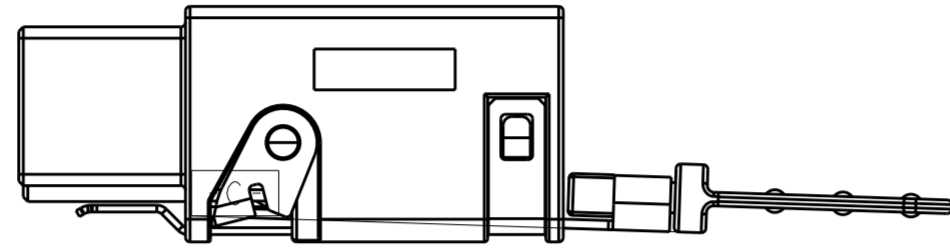
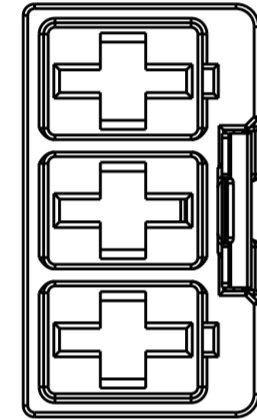


2204534-1 PART NUMBER

THIS DRAWING IS A CONTROLLED DOCUMENT.		DWN ORANDO LI 03APR2015	TE Connectivity	
		CHK ZHAO SUNY 03APR2015		
		APVD SUNY ZHAO 03APR2015	NAME ELCON Mini, 3-position cable conn. pull-tab, 6mm2 max. wire	
DIMENSIONS: mm		PRODUCT SPEC 108-128028	SIZE A2	CAGE CODE -
TOLERANCES UNLESS OTHERWISE SPECIFIED:		APPLICATION SPEC 114-128029	DRAWING NO. C-2204534	RESTRICTED TO -
MATERIAL TBD		WEIGHT -	SCALE 1:1	SHEET 1 OF 4
		CUSTOMER DRAWING	REV B3	

THIS DRAWING IS UNPUBLISHED. RELEASED FOR PUBLICATION 20  
 © COPYRIGHT 20 BY - ALL RIGHTS RESERVED.

REVISIONS				
P	LTR	DESCRIPTION	DATE	APVD
-		SEE SHEET 1	-	-



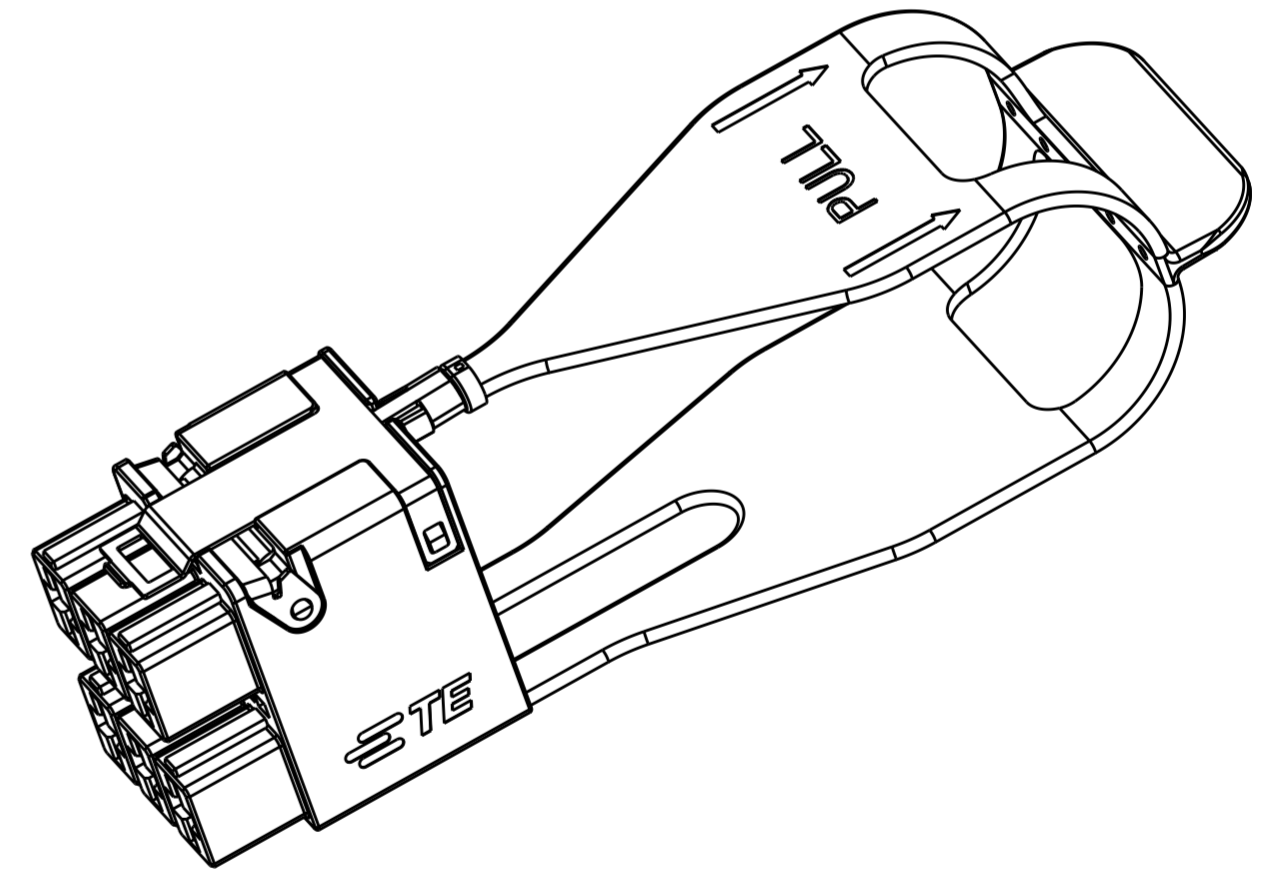
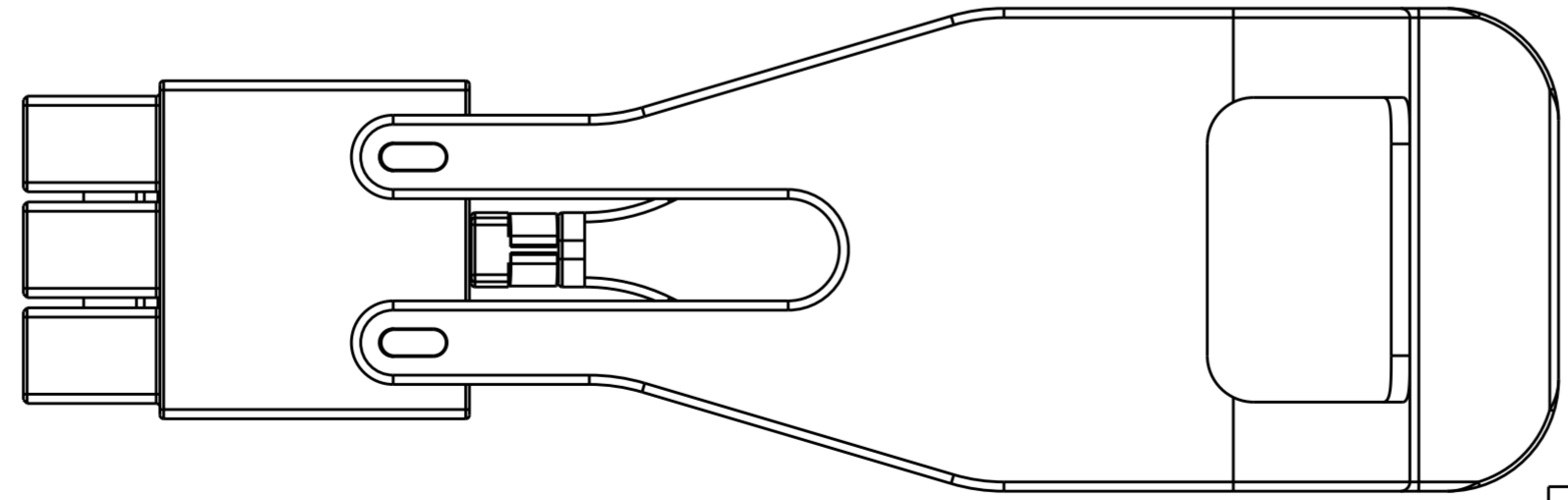
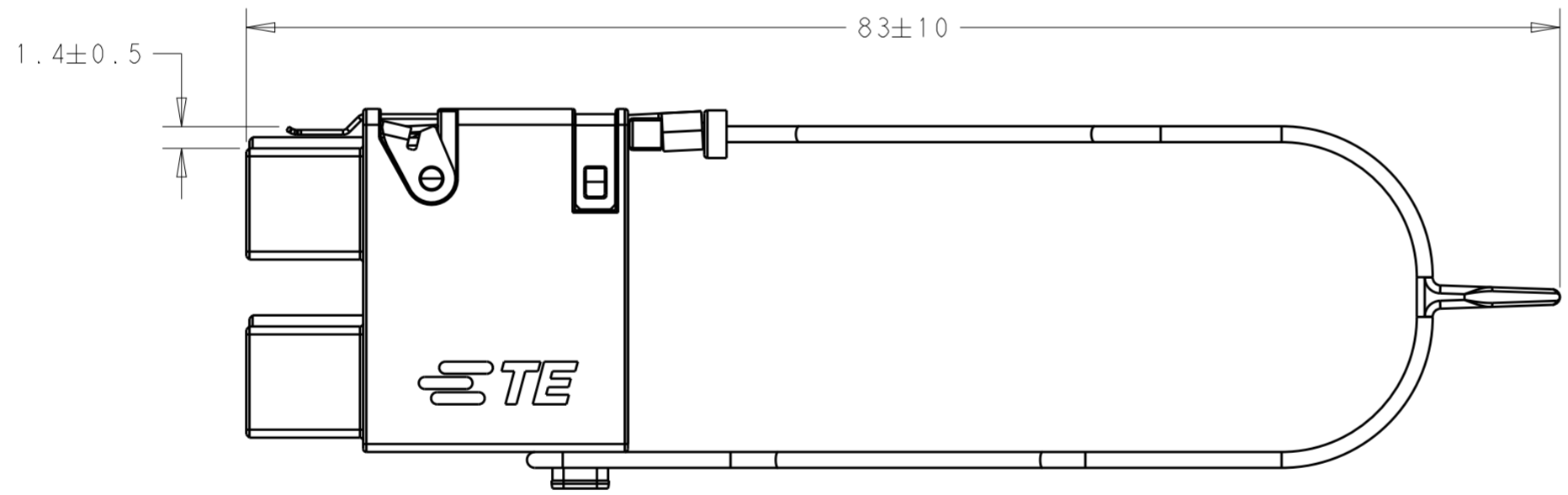
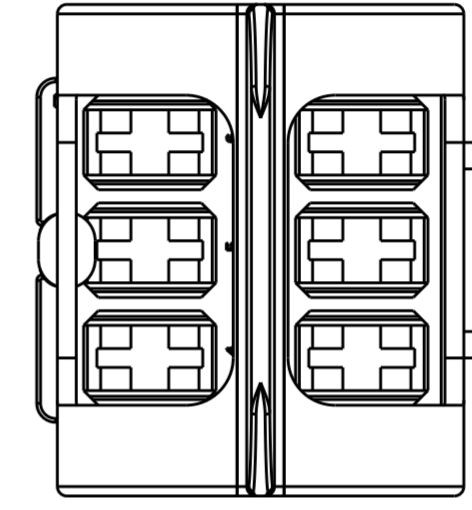
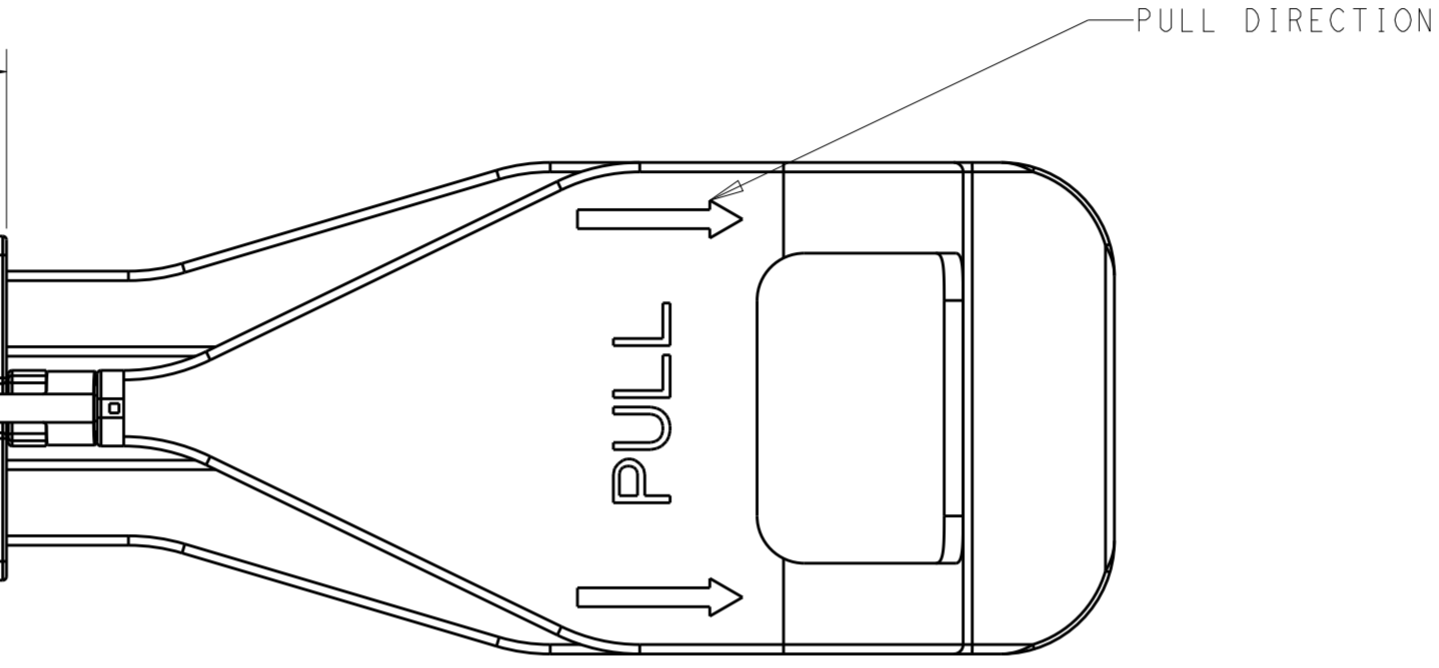
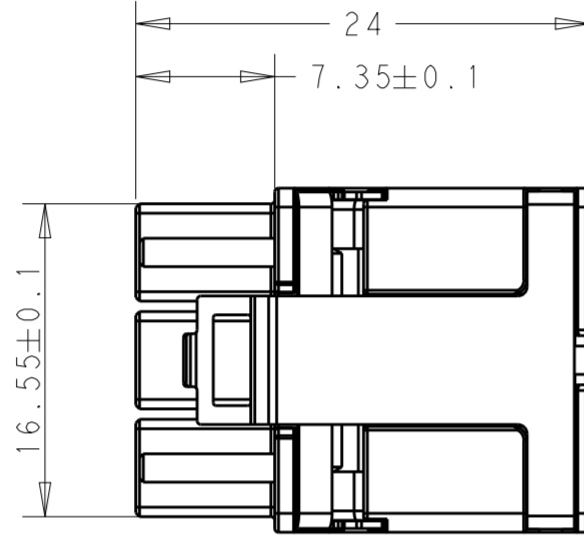
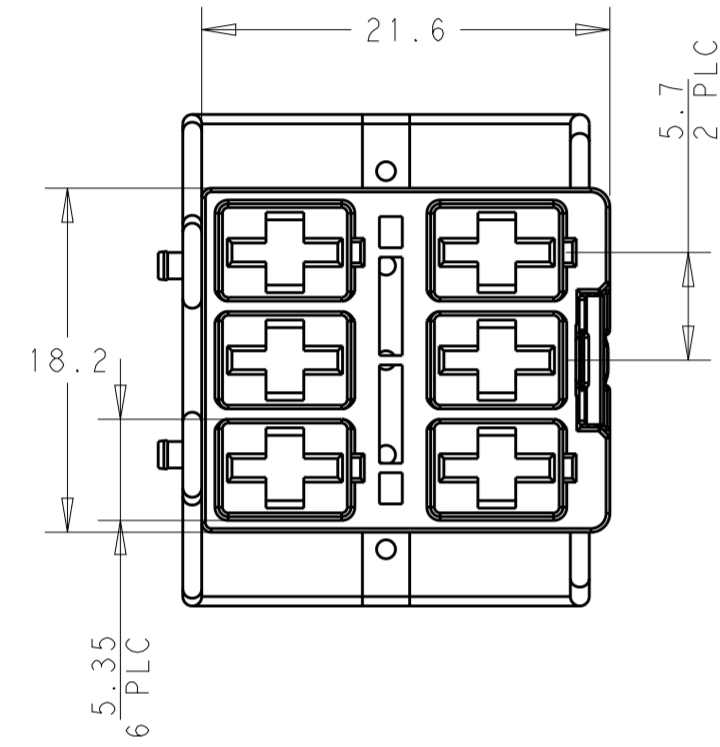
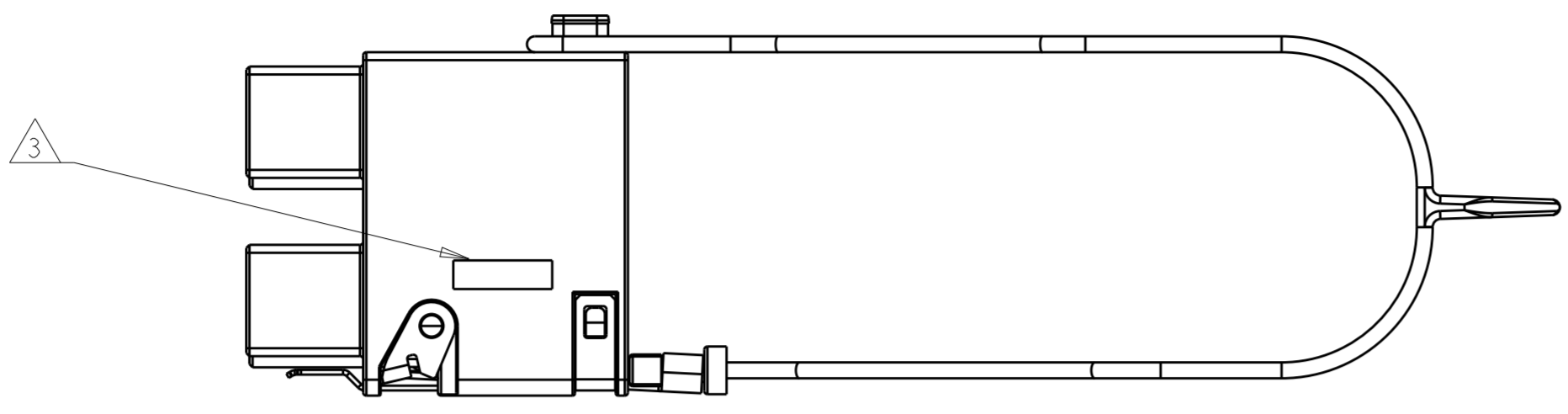
OTHER DIMENSIONS, REFER TO SHEET 1

2204534-2 PART NUMBER

THIS DRAWING IS A CONTROLLED DOCUMENT.		DWN ORANDO LI 03APR2015		
		CHK ZHAO SUNY 03APR2015		
		APVD SUNY ZHAO 03APR2015		
		PRODUCT SPEC 108-128028		
DIMENSIONS: mm		APPLICATION SPEC 114-128029		NAME ELCON Mini, 3-position cable conn. pull-tab, 6mm2 max. wire
TOLERANCES UNLESS OTHERWISE SPECIFIED:		WEIGHT -		SIZE A2
0 PLC ±0.2		CUSTOMER DRAWING		CAGE CODE -
1 PLC ±0.1		SCALE 1:1		DRAWING NO. C-2204534
2 PLC ±0.05		SHEET 2 OF 4		RESTRICTED TO -
3 PLC ±		REV B3		
4 PLC ±				
ANGLES ±				
FINISH -				
MATERIAL TBD				

THIS DRAWING IS UNPUBLISHED. RELEASED FOR PUBLICATION 20  
 © COPYRIGHT 20 BY - ALL RIGHTS RESERVED.

REVISIONS				
P	LTR	DESCRIPTION	DATE	APVD
-	-	SEE SHEET 1	-	-

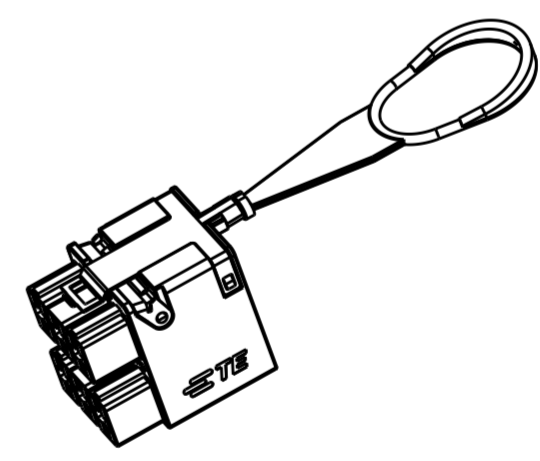
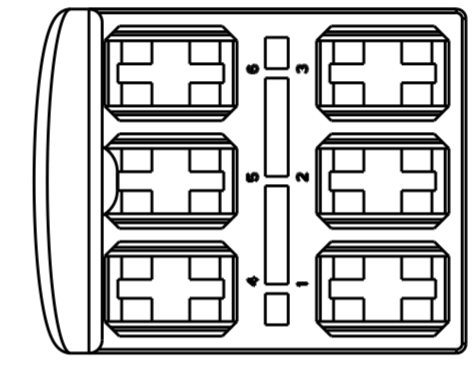
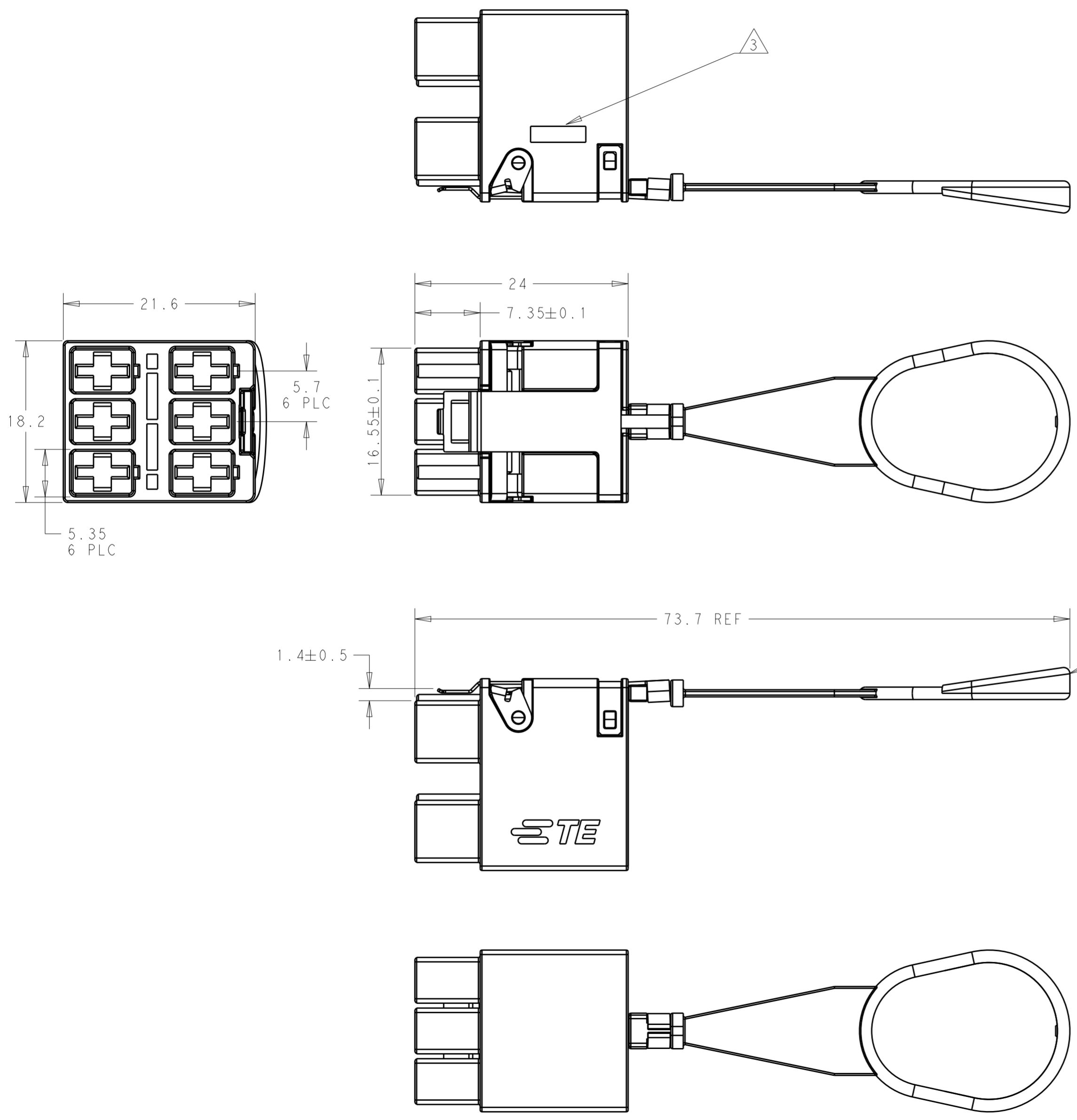


2204534-3 PART NUMBER

THIS DRAWING IS A CONTROLLED DOCUMENT.		DWN ORANDO LI 03APR2015	TE Connectivity	
		CHK ZHAO SUNY 03APR2015		
		APVD SUNY ZHAO 03APR2015	NAME ELCON Mini, 3-position cable conn. pull-tab, 6mm <sup>2</sup> max. wire	
DIMENSIONS: mm		PRODUCT SPEC 108-128028	SIZE A2	CAGE CODE -
TOLERANCES UNLESS OTHERWISE SPECIFIED:		APPLICATION SPEC 114-128029	DRAWING NO. C-2204534	RESTRICTED TO -
0 PLC ±0.2 1 PLC ±0.1 2 PLC ±0.05 3 PLC ± 4 PLC ± ANGLES ± FINISH -		WEIGHT -	SCALE 1:1	SHEET 3 OF 4
MATERIAL TBD		CUSTOMER DRAWING	REV B3	

THIS DRAWING IS UNPUBLISHED. RELEASED FOR PUBLICATION 20  
 © COPYRIGHT 20 BY - ALL RIGHTS RESERVED.

REVISIONS				
P	LTR	DESCRIPTION	DATE	APVD
-		SEE SHEET 1	-	-



RANDOM DIRECTON FOR UP AND DOWN

THIS DRAWING IS A CONTROLLED DOCUMENT.		DWN 03APR2015	2204534-5 PART NUMBER	
DIMENSIONS: mm		CHK 03APR2015	TE Connectivity	
TOLERANCES UNLESS OTHERWISE SPECIFIED:		APVD 03APR2015		
0 PLC ±0.2 1 PLC ±0.1 2 PLC ±0.05 3 PLC ± 4 PLC ± ANGLES ± FINISH -		NAME ELCON Mini, 3-position cable conn. pull-tab, 6mm2 max. wire PRODUCT SPEC 108-128028 APPLICATION SPEC 114-128029 WEIGHT -	SIZE A2 CAGE CODE - DRAWING NO. C-2204534 RESTRICTED TO -	
MATERIAL TBD		CUSTOMER DRAWING	SCALE 1:1	SHEET 4 OF 4
				REV B3

单击下面可查看定价，库存，交付和生命周期等信息

[>>TE Connectivity\(泰科\)](#)