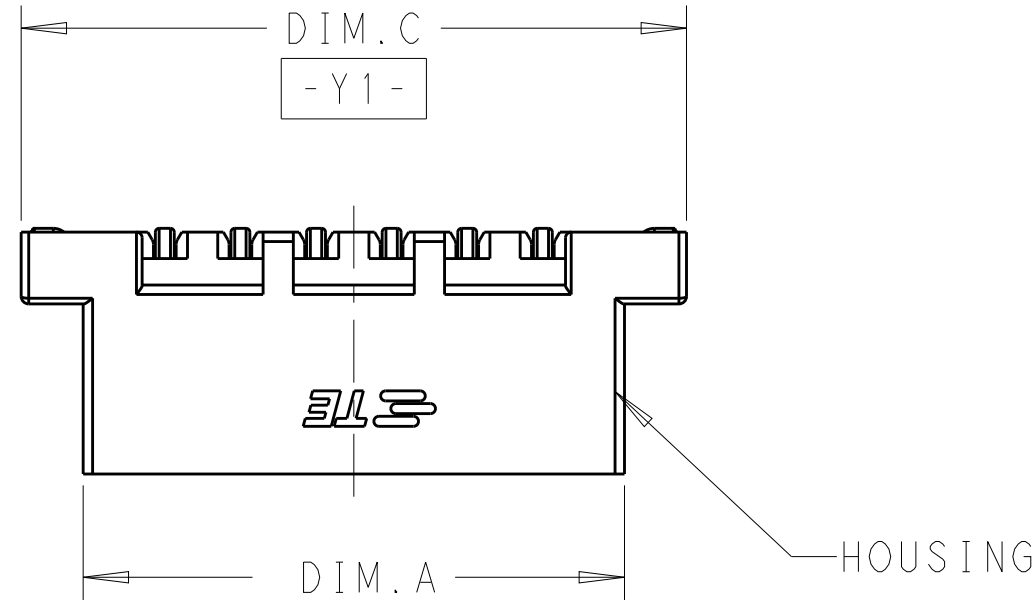
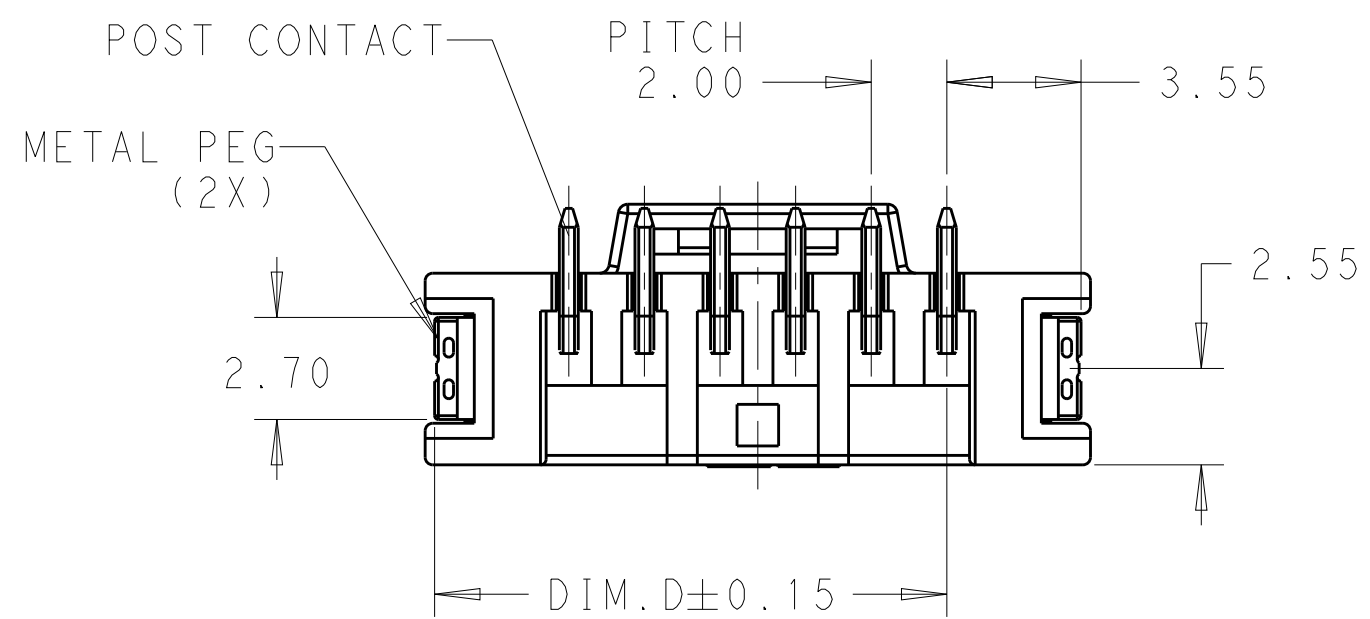
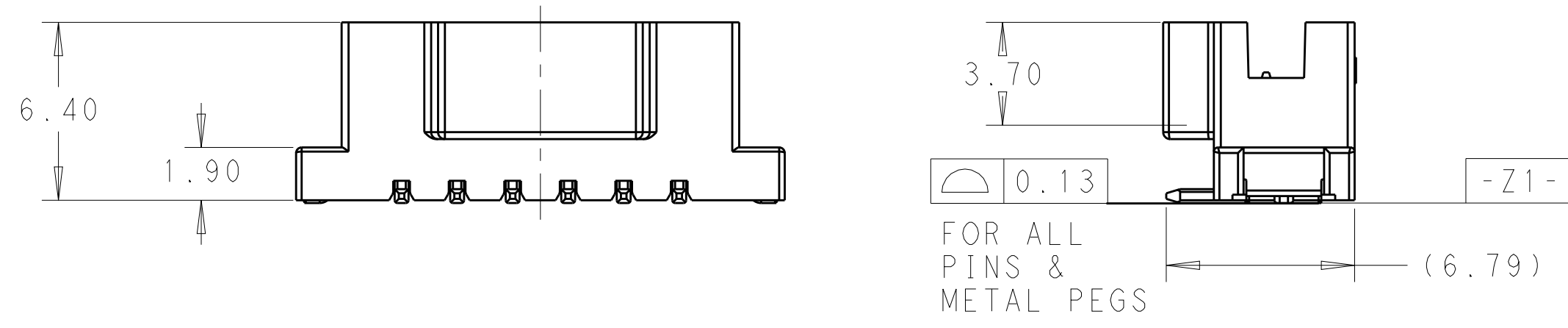
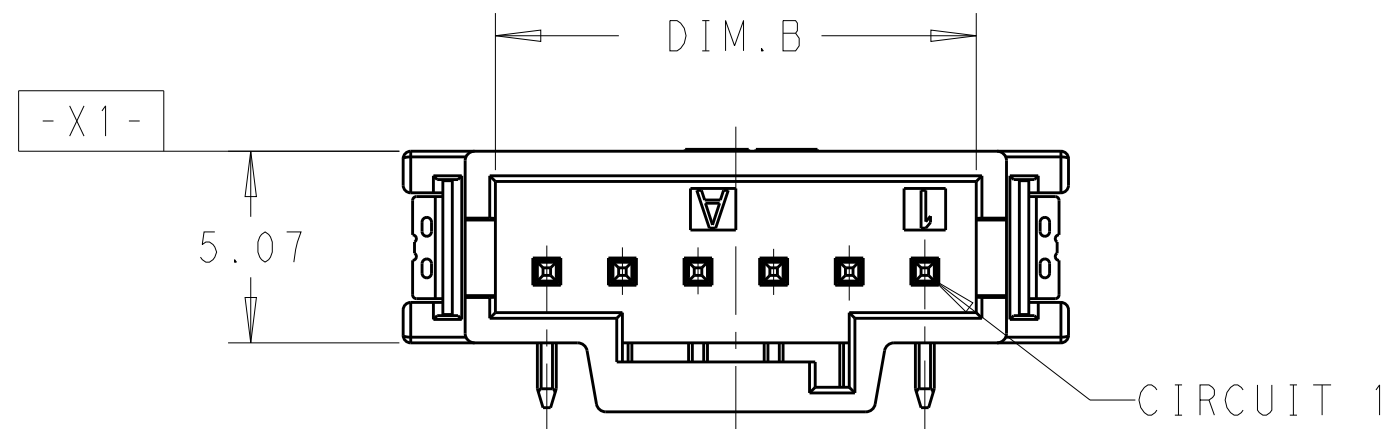


THIS DRAWING IS UNPUBLISHED. RELEASED FOR PUBLICATION 20
 © COPYRIGHT 20 BY - ALL RIGHTS RESERVED.

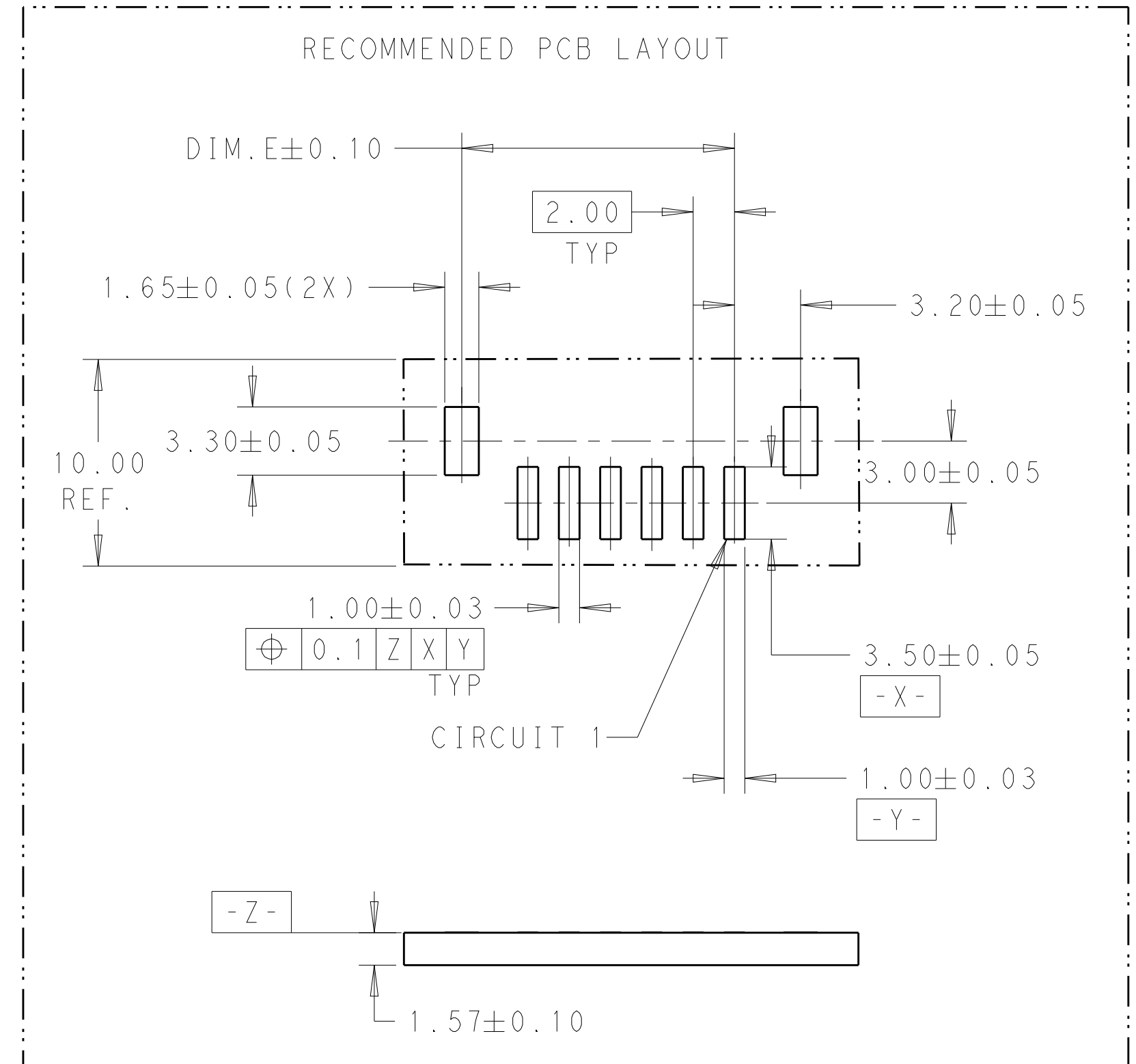
REVISIONS				
P	LTR	DESCRIPTION	DATE	APVD
A		FIRST RELEASED	26DEC18	C.X D.Z



- 1 MATERIAL: CONTACT - BRASS
METAL PEG - BRASS
HOUSING - UL94V-0 RATED HIGH TEMP NYLON;
- 2 PLATING: CONTACT - 2.0um MINIMUM TIN OVER 1.27um MINIMUM NICKEL
LEAD FREE PLATING;
METAL PEG - 2.0um MINIMUM TIN OVER 1.27um MINIMUM NICKEL.
LEAD FREE PLATING.
- 3. PRODUCT COMPLY WITH IEC60335-1 SECTION30(GWT)GLOW WIRE REQUIREMENTS.

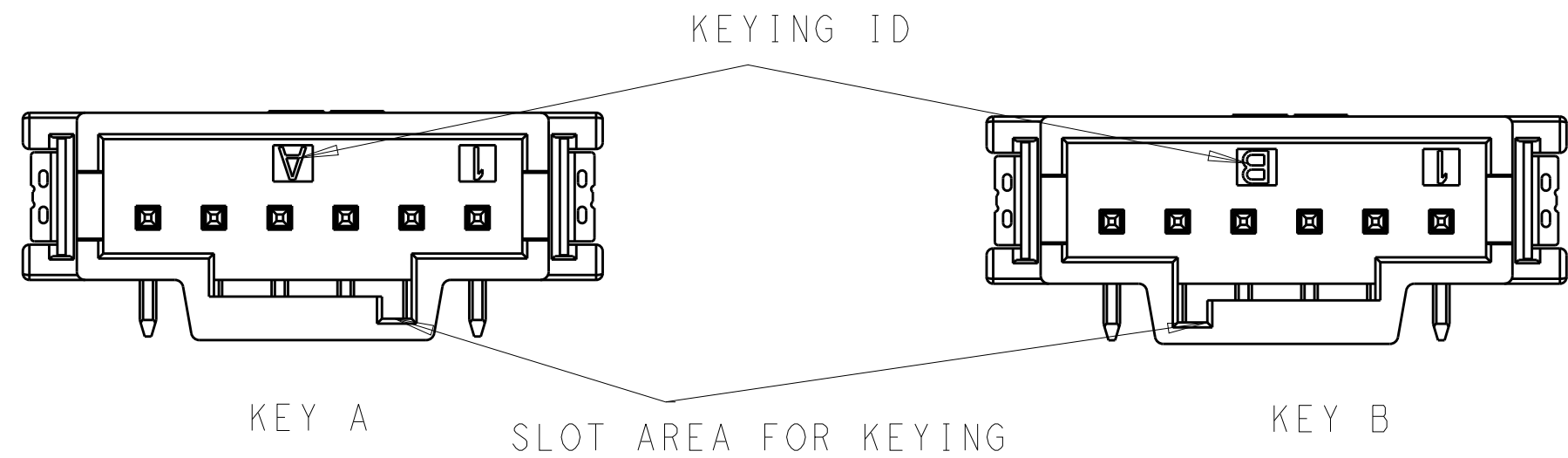


KEY A SHOWN FOR 6 POS.

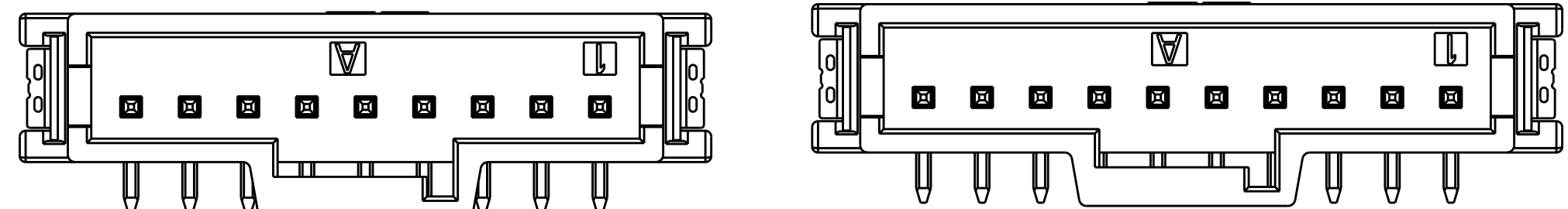
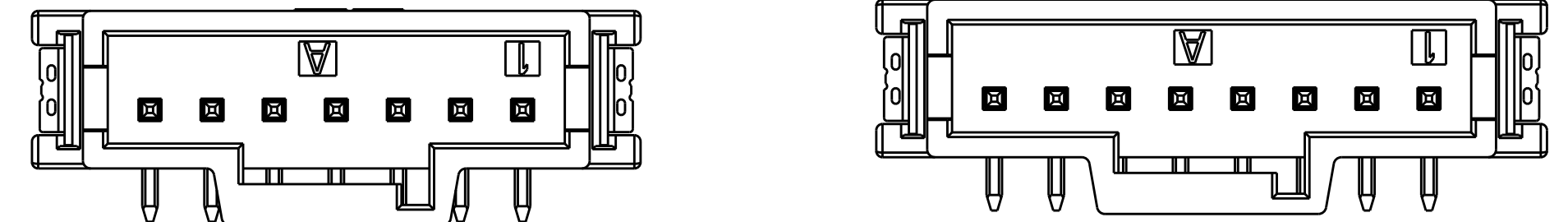
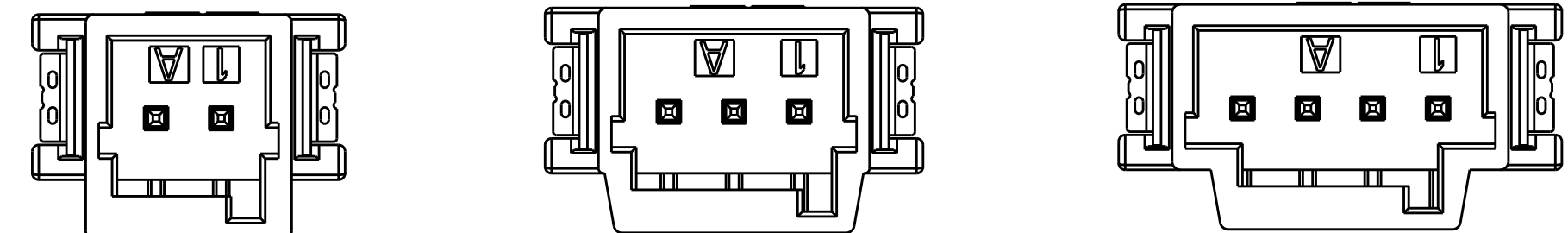


THIS DRAWING IS A CONTROLLED DOCUMENT.		DWN CANDY, X 30AUG2017	TE Connectivity	
		CHK DANIEL, Z 4SEP2017		
		APVD DANIEL, Z 4SEP2017	NAME HEADER ASSEMBLY, VERTICAL, SG12.0mm SMT TYPE	
DIMENSIONS: mm		PRODUCT SPEC 108-106266	SIZE CAGE CODE DRAWING NO RESTRICTED TO	
TOLERANCES UNLESS OTHERWISE SPECIFIED:		APPLICATION SPEC 114-106266	A200779 C-2232829	
0 PLC ±		WEIGHT -	SCALE 1:1 SHEET 1 OF 2 REV A	
1 PLC ±		CUSTOMER DRAWING		
2 PLC ±0.15				
3 PLC ±				
4 PLC ±				
ANGLES ±3°				
FINISH				
1		finish_spec_2		

REVISIONS				
P	LTR	DESCRIPTION	DATE	APVD
-	-	SEE SHEET 1	-	-



KEY A SHOWN FOR 2 THRU 10 POS.



MATING PARTS	DIM.E	DIM.D	DIM.C	DIM.B	DIM.A	POS.	KEYING	COLOR	ASSEMBLY PART NO.
2-2232979-0	21.20	21.55	25.60	20.72	22.32	10	A	NATURAL	2-2232829-0
1-2232979-9	19.20	19.55	23.60	18.72	20.32	9			1-2232829-9
1-2232979-8	17.20	17.55	21.60	16.72	18.32	8			1-2232829-8
1-2232979-7	15.20	15.55	19.60	14.72	16.32	7			1-2232829-7
1-2232979-6	13.20	13.55	17.60	12.72	14.32	6			1-2232829-6
1-2232979-5	11.20	11.55	15.60	10.72	12.32	5			1-2232829-5
1-2232979-4	9.20	9.55	13.60	8.72	10.32	4			1-2232829-4
1-2232979-3	7.20	7.55	11.60	6.72	8.32	3			1-2232829-3
1-2232979-2	5.20	5.55	9.60	4.72	6.32	2			1-2232829-2

MATING PARTS	DIM.E	DIM.D	DIM.C	DIM.B	DIM.A	POS.	KEYING	COLOR	ASSEMBLY PART NO.
3-2232979-0	21.20	21.55	25.60	20.72	22.32	10	B	NATURAL	3-2232829-0
2-2232979-9	19.20	19.55	23.60	18.72	20.32	9			2-2232829-9
2-2232979-8	17.20	17.55	21.60	16.72	18.32	8			2-2232829-8
2-2232979-7	15.20	15.55	19.60	14.72	16.32	7			2-2232829-7
2-2232979-6	13.20	13.55	17.60	12.72	14.32	6			2-2232829-6
2-2232979-5	11.20	11.55	15.60	10.72	12.32	5			2-2232829-5
2-2232979-4	9.20	9.55	13.60	8.72	10.32	4			2-2232829-4
2-2232979-3	7.20	7.55	11.60	6.72	8.32	3			2-2232829-3
2-2232979-2	5.20	5.55	9.60	4.72	6.32	2			2-2232829-2

MATING PARTS	DIM.E	DIM.D	DIM.C	DIM.B	DIM.A	POS.	KEYING	COLOR	ASSEMBLY PART NO.
4-2232979-0	21.20	21.55	25.60	20.72	22.32	10	A	BLACK	4-2232829-0
3-2232979-9	19.20	19.55	23.60	18.72	20.32	9			3-2232829-9
3-2232979-8	17.20	17.55	21.60	16.72	18.32	8			3-2232829-8
3-2232979-7	15.20	15.55	19.60	14.72	16.32	7			3-2232829-7
3-2232979-6	13.20	13.55	17.60	12.72	14.32	6			3-2232829-6
3-2232979-5	11.20	11.55	15.60	10.72	12.32	5			3-2232829-5
3-2232979-4	9.20	9.55	13.60	8.72	10.32	4			3-2232829-4
3-2232979-3	7.20	7.55	11.60	6.72	8.32	3			3-2232829-3
3-2232979-2	5.20	5.55	9.60	4.72	6.32	2			3-2232829-2

MATING PARTS	DIM.E	DIM.D	DIM.C	DIM.B	DIM.A	POS.	KEYING	COLOR	ASSEMBLY PART NO.
5-2232979-0	21.20	21.55	25.60	20.72	22.32	10	B	BLACK	5-2232829-0
4-2232979-9	19.20	19.55	23.60	18.72	20.32	9			4-2232829-9
4-2232979-8	17.20	17.55	21.60	16.72	18.32	8			4-2232829-8
4-2232979-7	15.20	15.55	19.60	14.72	16.32	7			4-2232829-7
4-2232979-6	13.20	13.55	17.60	12.72	14.32	6			4-2232829-6
4-2232979-5	11.20	11.55	15.60	10.72	12.32	5			4-2232829-5
4-2232979-4	9.20	9.55	13.60	8.72	10.32	4			4-2232829-4
4-2232979-3	7.20	7.55	11.60	6.72	8.32	3			4-2232829-3
4-2232979-2	5.20	5.55	9.60	4.72	6.32	2			4-2232829-2

THIS DRAWING IS A CONTROLLED DOCUMENT.		DWN CANDY, X 30AUG2017	 TE Connectivity	NAME: HEADER ASSEMBLY, VERTICAL, SGI 2.0mm SMT TYPE		
DIMENSIONS: mm		CHK DANIEL, Z 4SEP2017			SIZE: A200779	CAGE CODE: C-2232829
TOLERANCES UNLESS OTHERWISE SPECIFIED:		APVD DANIEL, Z 4SEP2017			DRAWING NO: C-2232829	RESTRICTED TO: A
0 PLC ± 1 PLC ± 2 PLC ±0.15 3 PLC ± 4 PLC ± ANGLES ±3° FINISH		PRODUCT SPEC: 108-106266			SCALE: 4:1	SHEET: 2 OF 2
MATERIAL: 1		FINISH: 2	CUSTOMER DRAWING			

单击下面可查看定价，库存，交付和生命周期等信息

[>>TE Connectivity\(泰科\)](#)