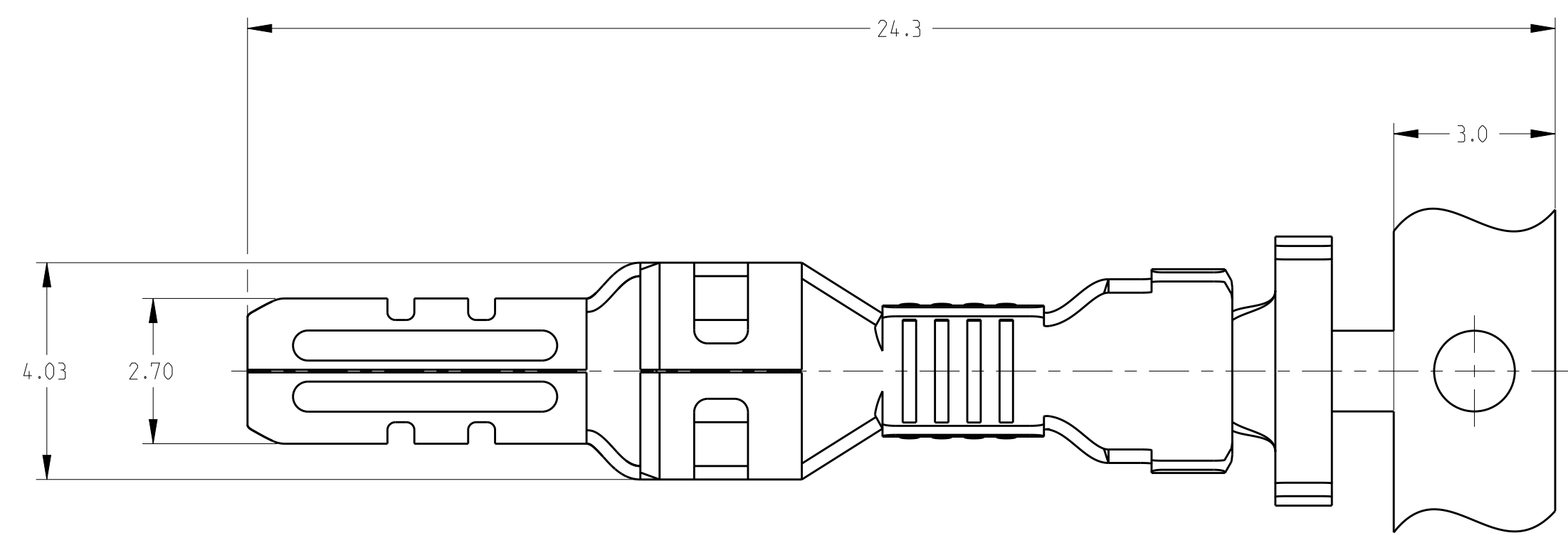
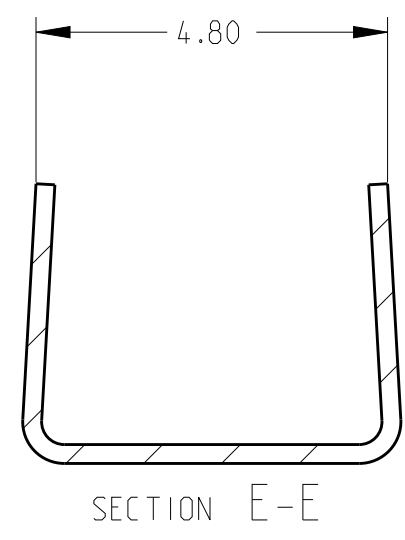
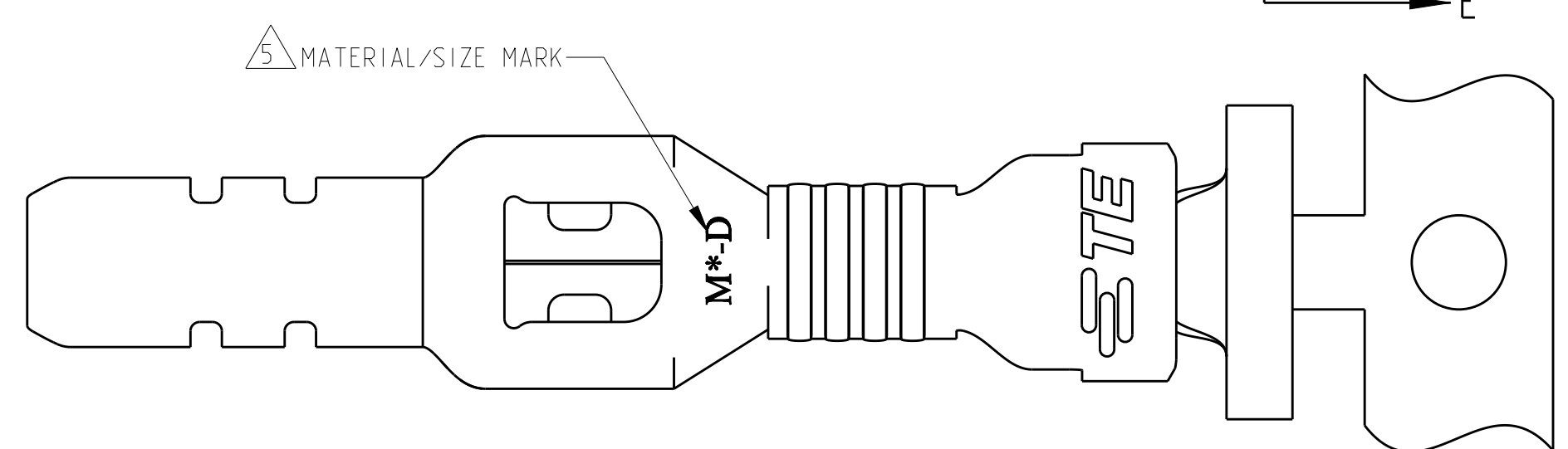
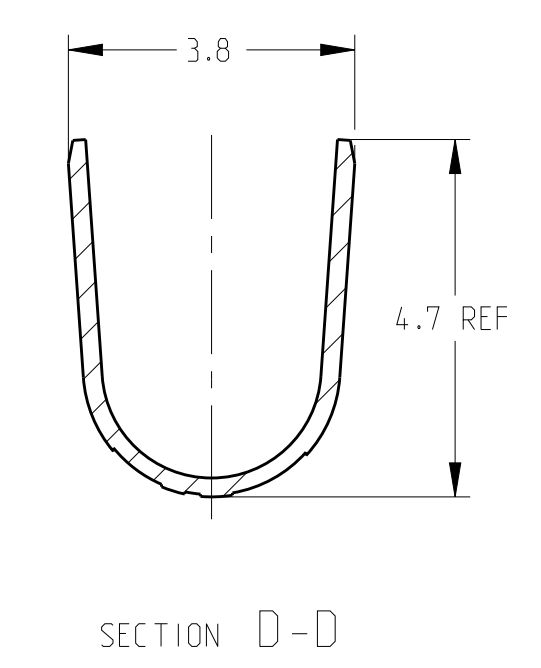
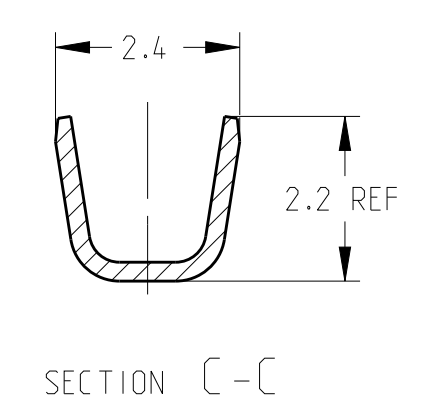
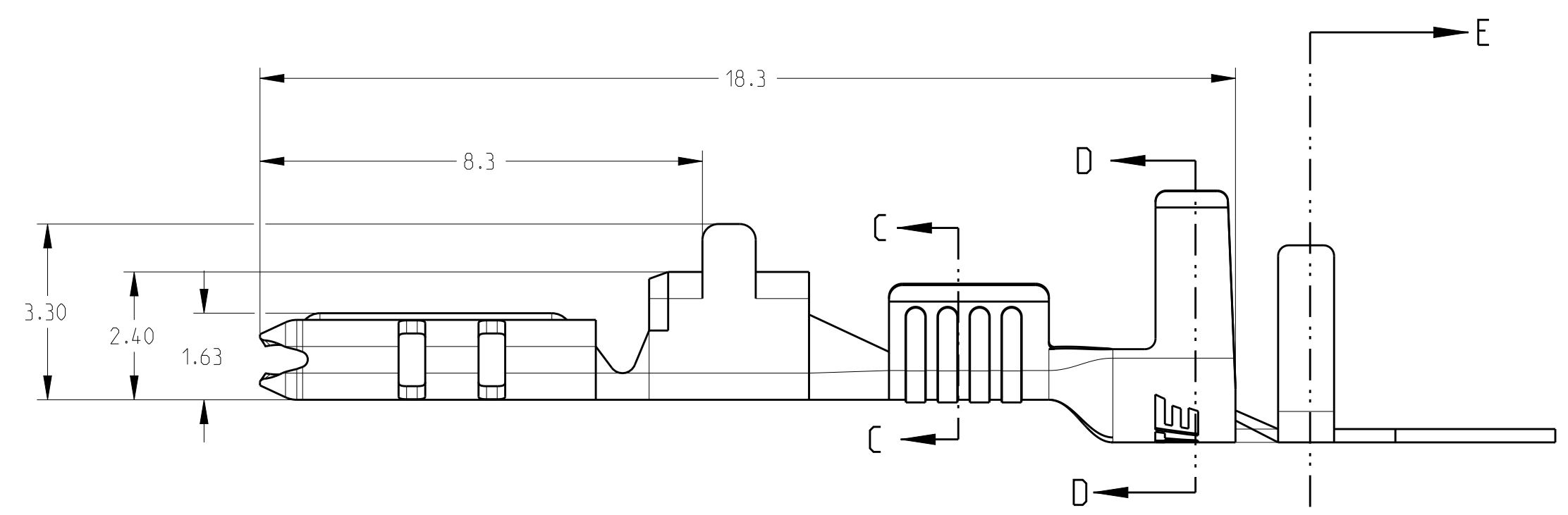
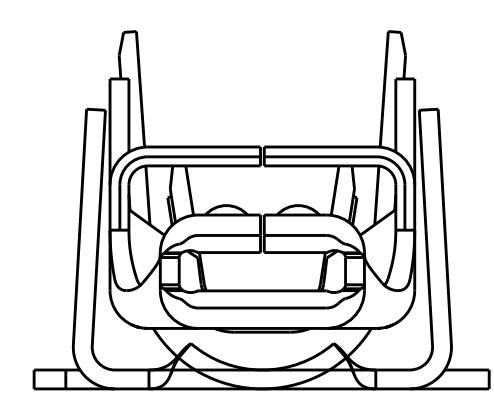


THIS DRAWING IS UNPUBLISHED. RELEASED FOR PUBLICATION 20  
 © COPYRIGHT 20 BY - ALL RIGHTS RESERVED.

REVISIONS				
P	LTR	DESCRIPTION	DATE	APVD
B1		REVISED PER ECO-16-016321	14NOV2016	RS GJ
C		REVISED PER ECR-18-003696	24MAY2018	BKW GJ
C1		REVISED PER ECR-18-015112	01OCT2018	BDA GJ



- 1 RECOMMENDED WIRE RANGE: 18AWG  
COPPER STRANDED (1580 ~ 1800 CMA)
  - 2 APPLICABLE INSULATION DIAMETER: 2.40~3.30mm.  
2.00~3.30mm WHEN OVERLAP INSULATION  
APPLICATOR USED.
  - 3 APPLICABLE MATED CAP HOUSING P/N:  
\*-1971772-\*/\*-1971775-\*/\*-1971875-\*/  
\*-2232263-\*/\*-2232264-\*/\*-2232356-\*
  - 4 THIS PRODUCT HAS NOT COMPLETED VALIDATION  
TESTING.
- 5 WIRE SIZE INDICATOR "D"=18 AWG



COPPER ALLOY	HIGH (150°C)	M0-D	2238067-2
BRASS	STANDARD (105°C)	M8-D	2238067-1
MATERIAL	TEMP. RATING	MATERIAL/SIZE MARK	PART NO

THIS DRAWING IS A CONTROLLED DOCUMENT.

DWN NAGALAKSHMI K 17NOV2014	TE Connectivity <b>TAB CONTACT POWER TRIPLE LOCK, 18 AWG</b>
CHK JACONO GENE 17NOV2014	
APVD JACONO GENE 17NOV2014	
PRODUCT SPEC 108-106118	
APPLICATION SPEC 114-106118	SIZE A2
MATERIAL SEE TABLE	CAGE CODE 00779
TOLERANCES UNLESS OTHERWISE SPECIFIED: 0 PLC ± 1 PLC ±0.5 2 PLC ±0.30 3 PLC ± 4 PLC ± ANGLES ± FINISH PRE-TIN	DRAWING NO C-2238067
WEIGHT -	RESTRICTED TO -
Customer Drawing	SCALE 10:1 SHEET 1 OF 1 REV C1

单击下面可查看定价，库存，交付和生命周期等信息

[>>TE Connectivity\(泰科\)](#)