

THIS DRAWING IS UNPUBLISHED.

RELEASED FOR PUBLICATION

20

© COPYRIGHT 20

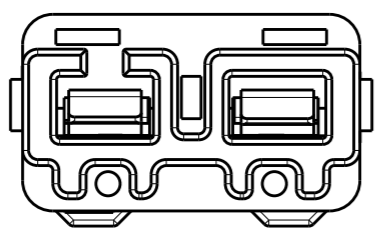
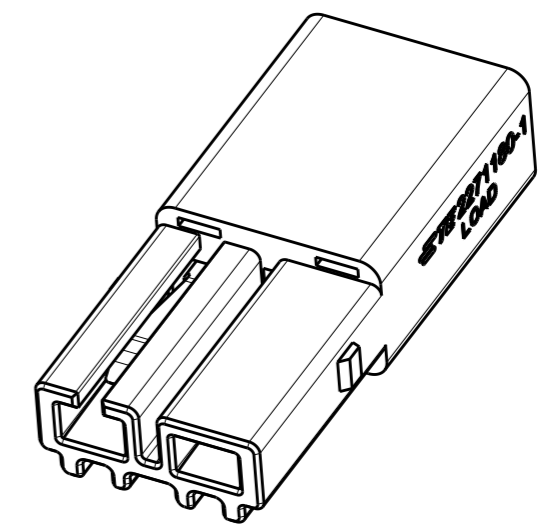
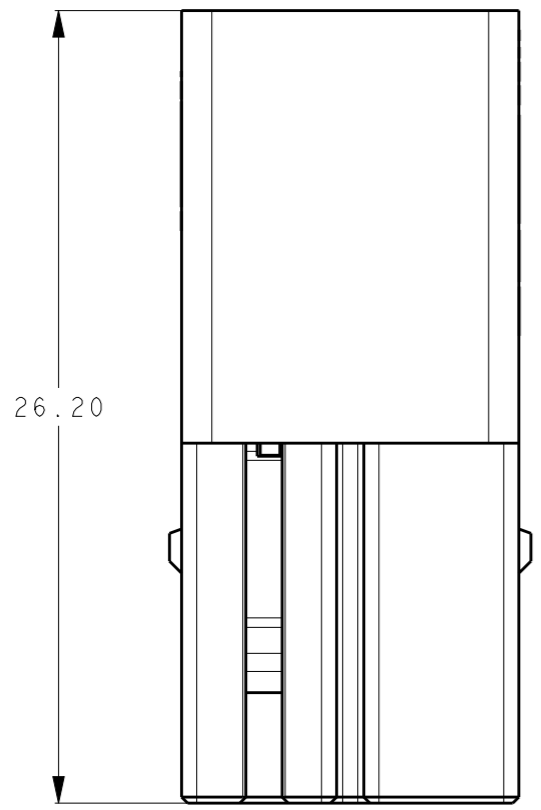
ALL RIGHTS RESERVED.

LOC
ES

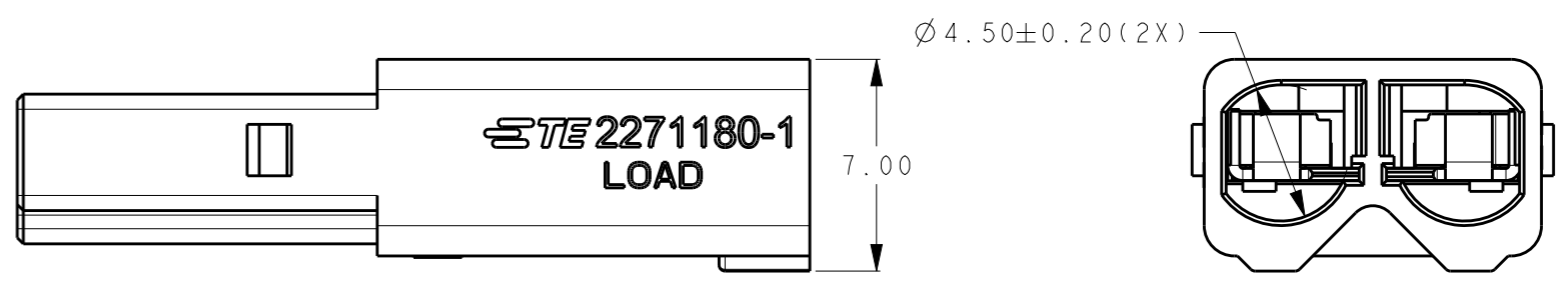
DIST

REVISIONS

| P | LTR | DESCRIPTION | DATE | DWN | APVD |
|---|-----|---------------|------------|-----|------|
| | C | ECR-18-020006 | 03APR2019 | M.S | M.S |
| | D | ECR-19-010701 | 16AUG2019 | M.S | M.S |
| | D1 | ECR-19-013399 | 26DEC2019 | F.F | M.S |
| | D2 | ECO-20-009837 | 14JULY2020 | W.Z | M.S |



SCALE 4:1



| PART NUMBER | PART COLOR |
|-------------|-----------------|
| 2271180-1 | ORANGE |
| 2271180-2 | BLACK |
| 2271180-3 | WHITE (NATURAL) |

NOTES:

1. TE PART NUMBER: SEE TABLE.
2. MATERIAL: NYLON, UL 94-V0. COLOR: ORANGE.
3. FINISH: TERMINAL: TIN PLATING OVERALL.
4. APPLICABLE MATING RECEPTACLE: 2271183 SERIES.
5. APPLICABLE WIRE: AWG18-22 SOLID OR TIN DIPPED STRANDED. (16 STRANDS MAX. FOR 18 AWG, 7 STRANDS MAX FOR 20-22 AWG. SEE RELATED APPLICATION SPECIFICATION AND PRODUCT SPECIFICATION) STRIP LENGTH: 9.0-9.6mm.
6. PRODUCT COMPLIES TO UL 2459 REQUIREMENT AND QUALIFIED: ZMNA.E308110 ; ZMNA7.E308110

| | | | | |
|--|--|------------------|------------|------------------------------|
| THIS DRAWING IS A CONTROLLED DOCUMENT. | | DWN | 26DEC2019 | STE TE Connectivity |
| | | CHK | FRANK FAN | |
| | | APVD | 26DEC2019 | |
| | | | GEORGE FU | |
| | | APVD | 26DEC2019 | NAME |
| | | | MING SHI | PLUG |
| | | PRODUCT SPEC | 108-137020 | 2 PIN WIRE TO WIRE CONNECTOR |
| | | APPLICATION SPEC | 114-137020 | |
| | | WEIGHT | 1.74g | SIZE |
| | | | | CAGE CODE |
| | | | | DRAWING NO |
| | | | | RESTRICTED TO |
| | | | | A300779 |
| | | | | C-2271180 |
| | | | | |
| | | | | SCALE 4:1 |
| | | | | SHEET 1 OF 3 |
| | | | | REV D2 |

THIS DRAWING IS UNPUBLISHED.

RELEASED FOR PUBLICATION

20

© COPYRIGHT 20

ALL RIGHTS RESERVED.

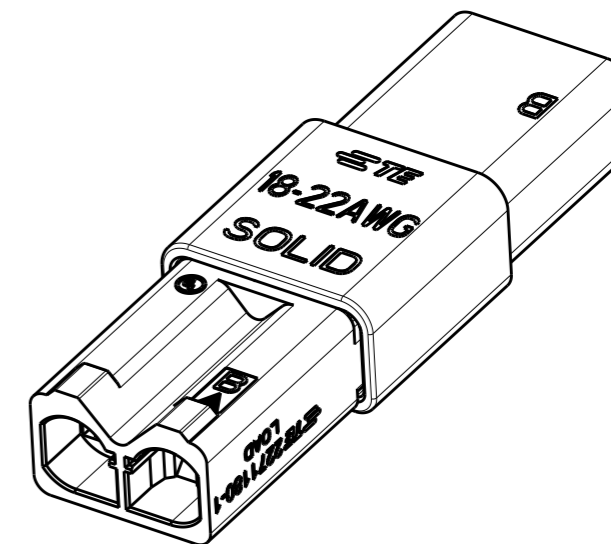
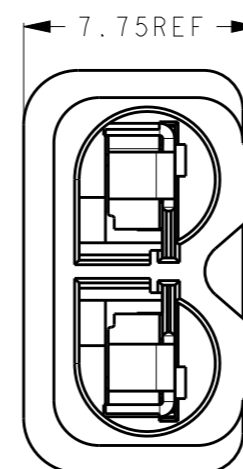
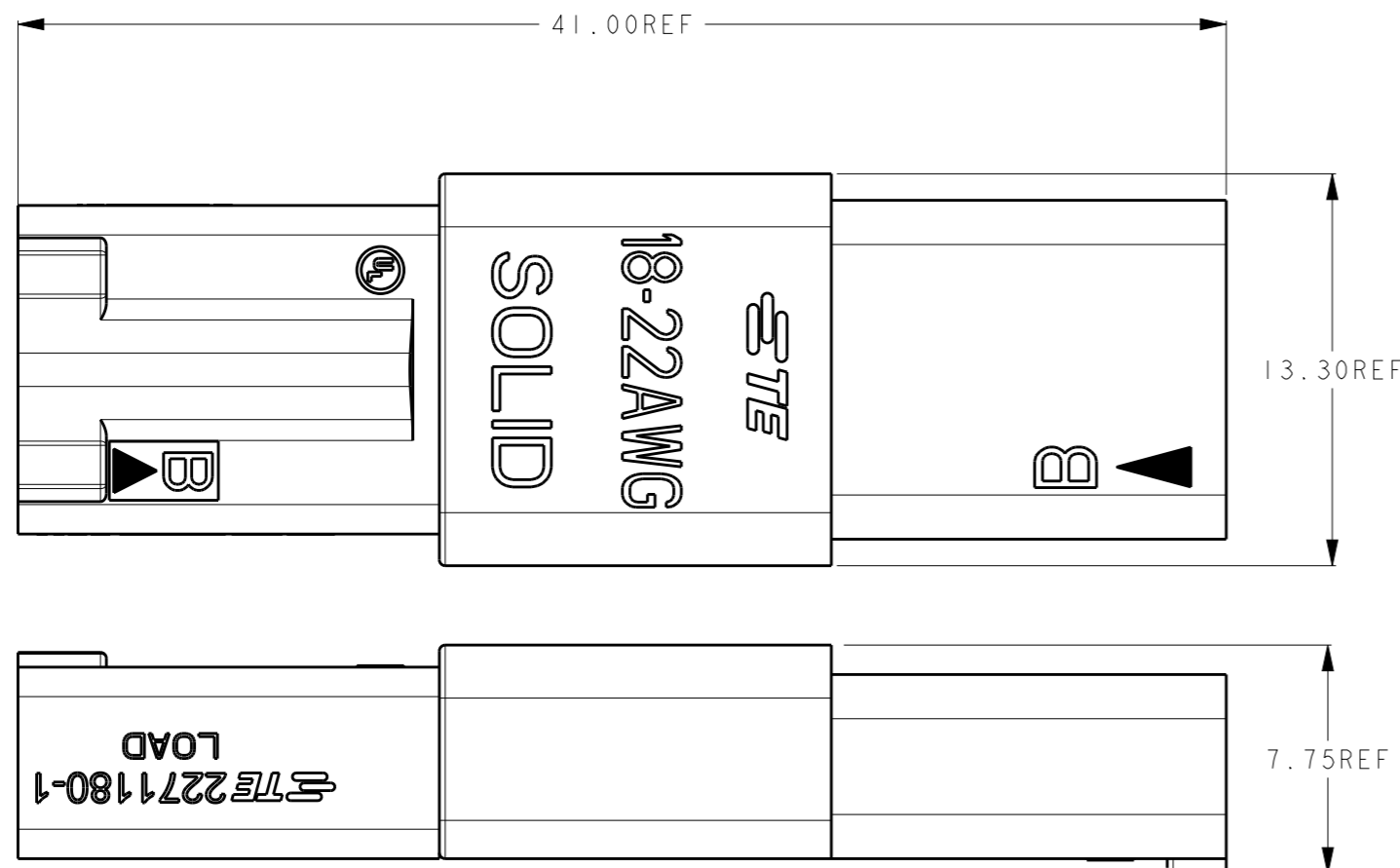
LOC
ES

DIST

REVISIONS

| P | LTR | DESCRIPTION | DATE | DWN | APVD |
|---|-----|-------------|------|-----|------|
| | | | | | |

MATED WITH RECEPTACLE



THIS DRAWING IS A CONTROLLED DOCUMENT.

| | |
|-------------|--|
| DIMENSIONS: | TOLERANCES UNLESS OTHERWISE SPECIFIED: |
| mm | ± 0.50 |
| | 0-PLC ± |
| | 1-PLC ± |
| | 2-PLC ± |
| | 3-PLC ± |
| | 4-PLC ± |
| | ANGLES ±5° |

MATERIAL

FINISH

| | |
|------------------|-----------|
| DWN | 26DEC2019 |
| FRANK FAN | |
| CHK | 26DEC2019 |
| GEORGE FU | |
| APVD | 26DEC2019 |
| MING SHI | |
| PRODUCT SPEC | - |
| APPLICATION SPEC | - |
| WEIGHT | - |

| | | | |
|-----------------|-----------|--------------------------------------|---------------|
| TE Connectivity | | NAME | |
| | | PLUG 2 PIN WIRE TO WIRE CONNECTOR | |
| SIZE | CAGE CODE | DRAWING NO | RESTRICTED TO |
| A3 | 00779 | C-2271180 | - |

CUSTOMER DRAWING SCALE 4:1 SHEET 2 OF 3 REV D2

THIS DRAWING IS UNPUBLISHED.

RELEASED FOR PUBLICATION

20

© COPYRIGHT 20

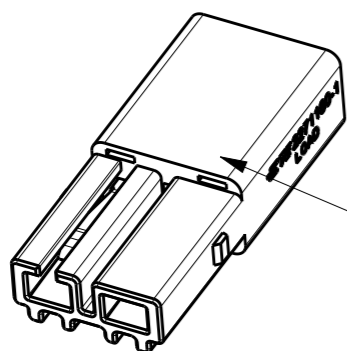
ALL RIGHTS RESERVED.

LOC
ES

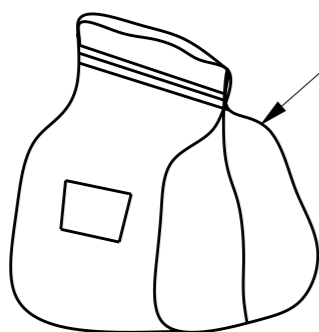
DIST

REVISIONS

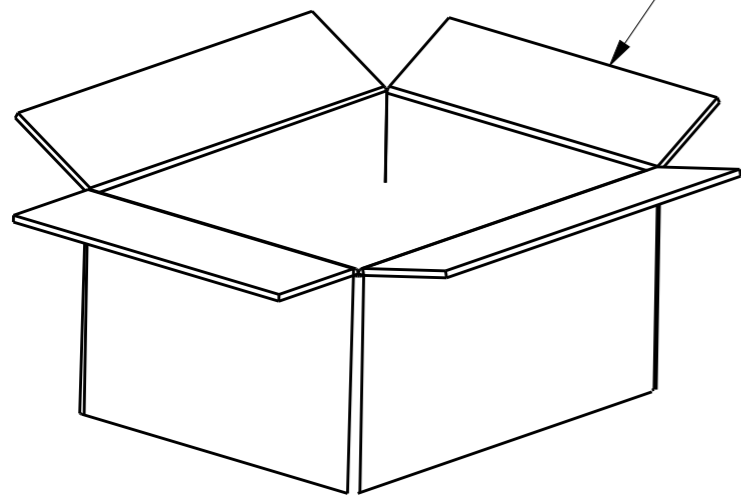
| P | LTR | DESCRIPTION | DATE | DWN | APVD |
|---|-----|-------------|------|-----|------|
| | | | | | |



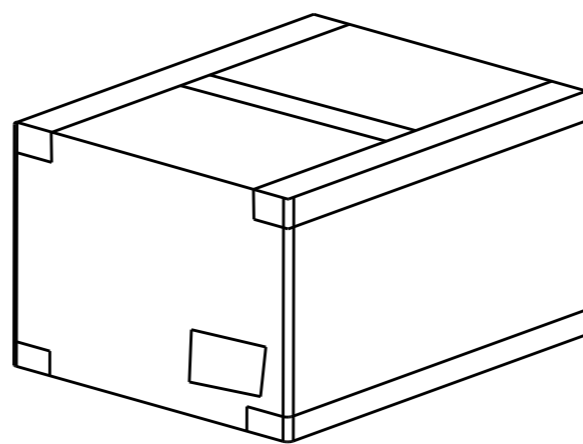
2271180-X



PLASTIC BAG



CARTON



NOTE:
1. PACKAGING QUANTITY: SEE TABLE.

| PARTS PER BAG | BAGS PER CARTON | PARTS PER CARTON |
|---------------|-----------------|------------------|
| 500 PCS | 8 | 4000 PCS |

THIS DRAWING IS A CONTROLLED DOCUMENT.

| | |
|-------------------|--|
| DIMENSIONS: mm | TOLERANCES UNLESS OTHERWISE SPECIFIED: 0 PLC ± 1 PLC ±10 2 PLC ±5.0 3 PLC ± 4 PLC ± ANGLES ±5° |
| MATERIAL | FINISH |

| | |
|------------------|-----------|
| DWN | 26DEC2019 |
| CHK | FRANK FAN |
| APVD | 26DEC2019 |
| | GEORGE FU |
| | 26DEC2019 |
| | MING SHI |
| PRODUCT SPEC | - |
| APPLICATION SPEC | - |
| WEIGHT | - |
| CUSTOMER DRAWING | |

STE TE Connectivity

PLUG
2 PIN WIRE TO WIRE CONNECTOR

| | | | | |
|-------|--------------------------------------|------------|-----|---------------|
| NAME | PLUG 2 PIN WIRE TO WIRE CONNECTOR | | | RESTRICTED TO |
| SIZE | CAGE CODE | DRAWING NO | - | |
| A3 | 00779 | C-2271180 | - | |
| SCALE | SHEET | OF | REV | |
| 4:1 | 3 | 3 | D2 | |

单击下面可查看定价，库存，交付和生命周期等信息

[>>TE Connectivity\(泰科\)](#)