

THIS DRAWING IS UNPUBLISHED.

RELEASED FOR PUBLICATION

20

© COPYRIGHT 20

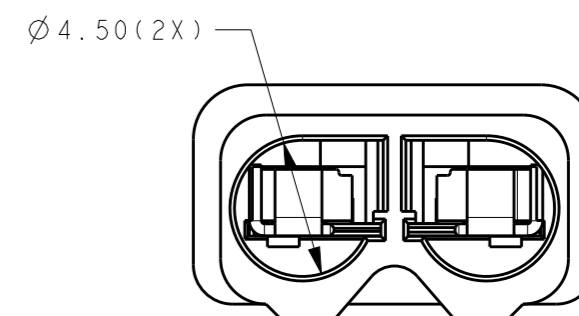
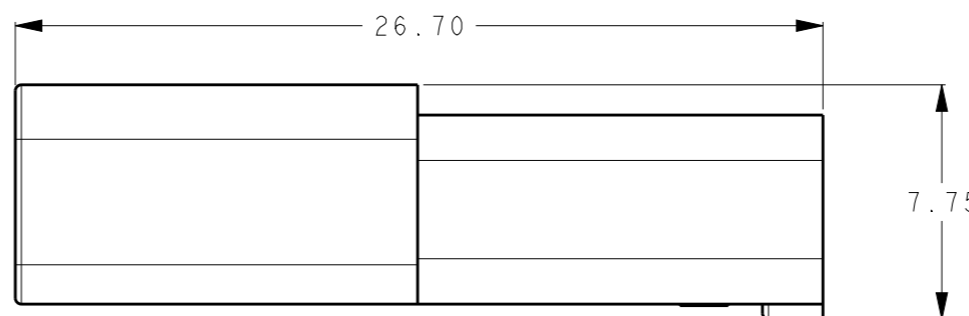
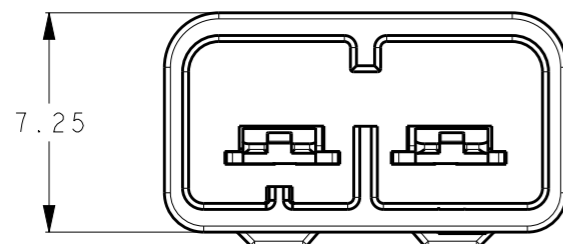
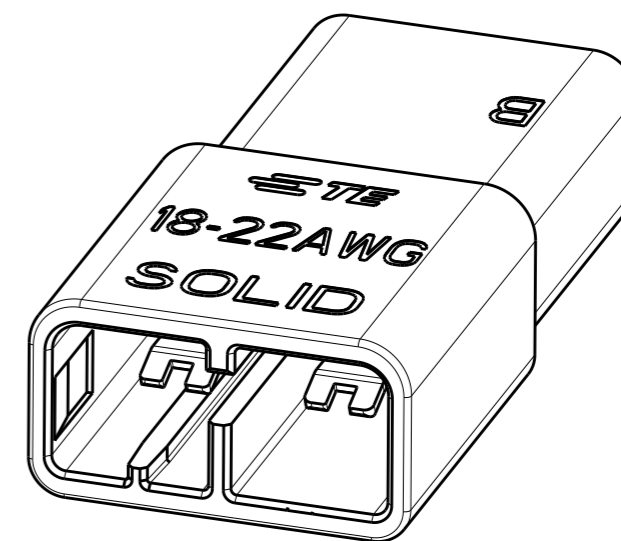
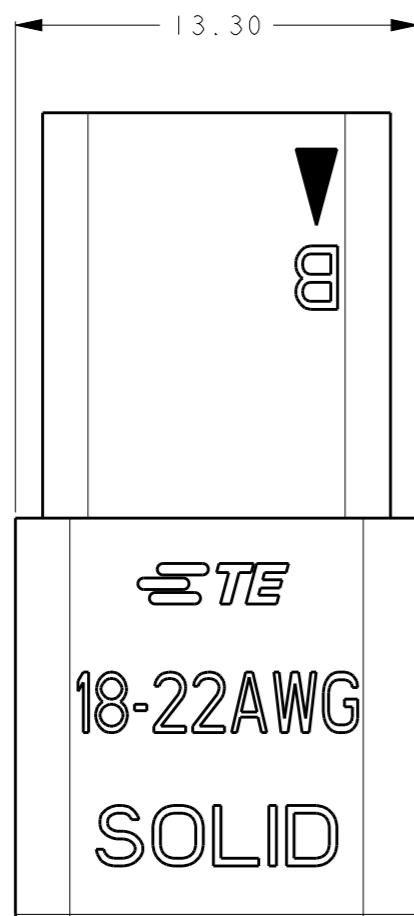
ALL RIGHTS RESERVED.

LOC
ES

DIST

REVISIONS

P	LTR	DESCRIPTION	DATE	DWN	APVD
B		ECR-16-007582	01JUN2016	M.S	X.X
C		ECR-18-020006	03APR2019	M.S	M.S
C1		ECR-19-013399	26DEC2019	F.F	M.S
C2		ECR-20-009837	14JULY2020	W.Z	M.S



PART NUMBER	PART COLOR
2271183-1	ORANGE
2271183-2	BLACK
2271183-3	WHITE (NATURAL)

NOTES:

- 1. TE PART NUMBER: SEE TABLE.
- 2. MATERIAL: COPPER ALLOY.
- 3. HOUSING: NYLON, UL 94-V0. COLOR: ORANGE.
- 4. FINISH: TIN PLATING OVERALL.
- 5. APPLICABLE WIRE: AWG18-22 SOLID OR TIN DIPPED STRANDED. (16 STRANDS MAX. FOR 18 AWG, 7 STRANDS MAX FOR 20-22 AWG. SEE RELATED APPLICATION SPECIFICATION AND PRODUCT SPECIFICATION)
- 6. STRIP LENGTH: 9.0-9.6mm.
- 7. APPLICABLE MATING PLUG: 2271180 SERIES.
- 8. PRODUCT COMPLIES TO UL 2459 REQUIREMENT AND QUALIFIED: ZMNA.E308110 ; ZMNA7.E308110

THIS DRAWING IS A CONTROLLED DOCUMENT.

DIMENSIONS:	TOLERANCES UNLESS OTHERWISE SPECIFIED:
mm	±0.5
	0 PLC ±
	1 PLC ±
	2 PLC ±
	3 PLC ±
	4 PLC ±
	ANGLES ±5°
MATERIAL	FINISH

DWN	26DEC2019
FRANK FAN	
CHK	26DEC2019
GEORGE FU	
APVD	26DEC2019
MING SHI	
PRODUCT SPEC	108-137020
APPLICATION SPEC	114-137020
WEIGHT	1.82 g
CUSTOMER DRAWING	

TE TE Connectivity	
NAME 2 PINS WIRE TO WIRE CONNECTOR RECEPTACLE	
SIZE	RESTRICTED TO
A300779	-
CAGE CODE	
G-2271183	
DRAWING NO	
SCALE 4:1	SHEET 1 OF 3
REV C2	

THIS DRAWING IS UNPUBLISHED.

RELEASED FOR PUBLICATION

20

© COPYRIGHT 20

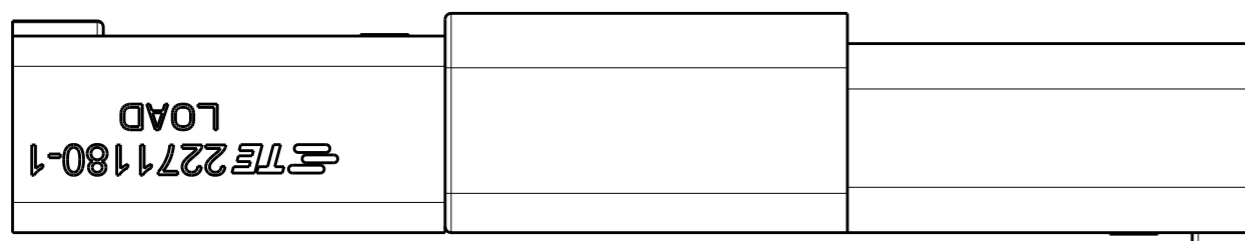
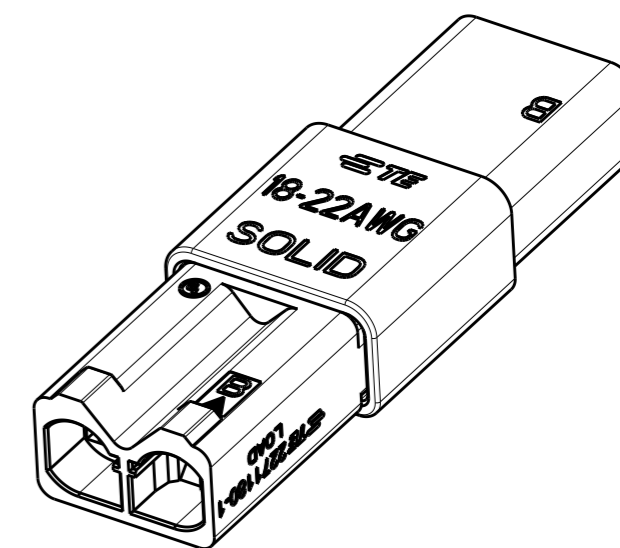
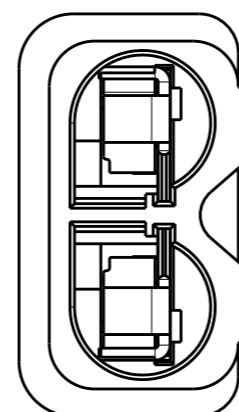
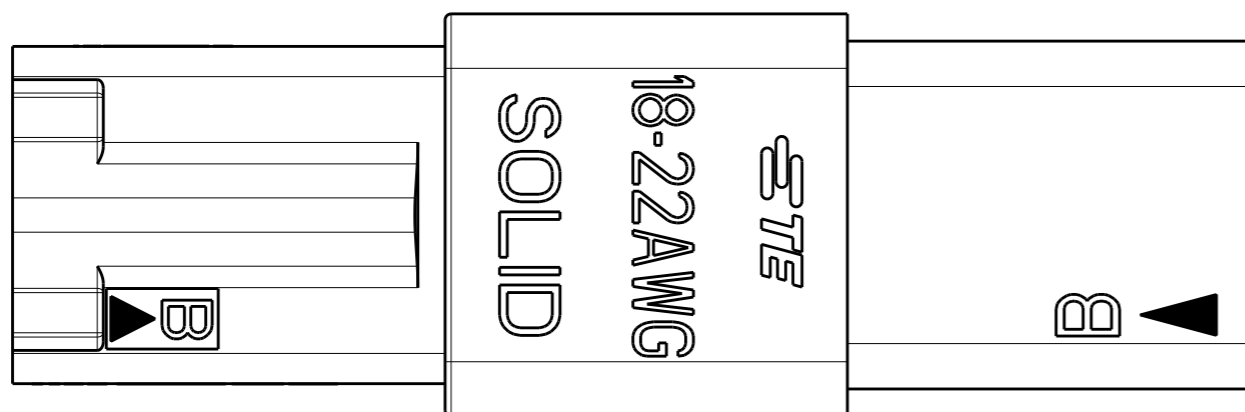
ALL RIGHTS RESERVED.

LOC ES DIST

REVISIONS

P	LTR	DESCRIPTION	DATE	DWN	APVD

MATED WITH PLUG



THIS DRAWING IS A CONTROLLED DOCUMENT.

DIMENSIONS:	TOLERANCES UNLESS OTHERWISE SPECIFIED:
mm	± 0.5
	0-PLC ±
	1-PLC ±
	2-PLC ±
	3-PLC ±
	4-PLC ±
ANGLES	± 5°

MATERIAL FINISH

DWN	26DEC2019
CHK	FRANK FAN
APVD	26DEC2019
	GEORGE FU
	26DEC2019
	MING SHI
PRODUCT SPEC	-
APPLICATION SPEC	-
WEIGHT	-

STE TE Connectivity

NAME 2 PINS WIRE TO WIRE CONNECTOR RECEPTACLE

SIZE	CAGE CODE	DRAWING NO	RESTRICTED TO
------	-----------	------------	---------------

A300779C-2271183

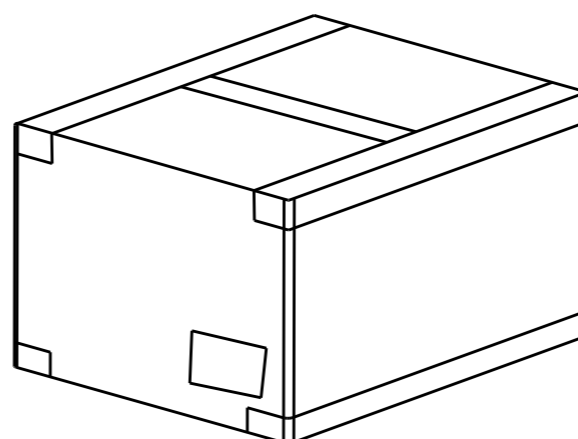
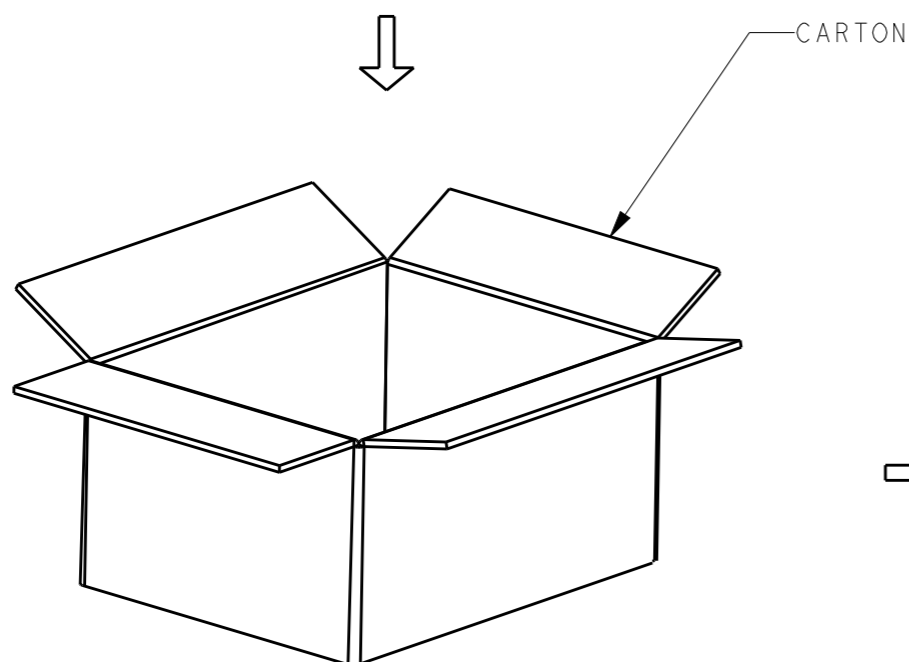
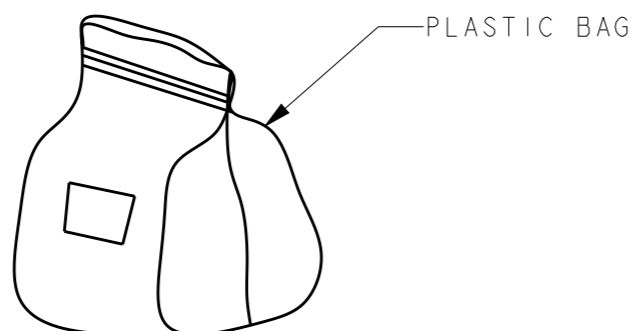
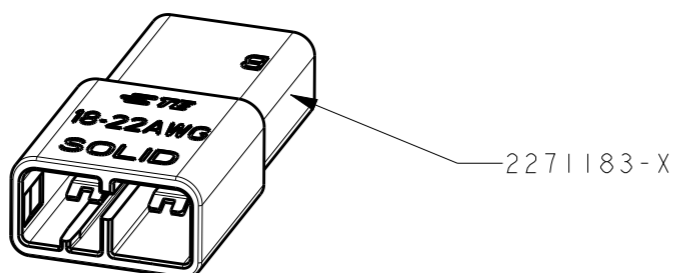
CUSTOMER DRAWING SCALE 4:1 SHEET 2 OF 3 REV C2

LOC
ES

DIST

REVISIONS

P	LTR	DESCRIPTION	DATE	DWN	APVD



NOTE:
1. PACKAGING QUANTITY: SEE TABLE.

PARTS PER BAG	BAGS PER CARTON	PARTS PER CARTON
500 PCS	8	4000 PCS

THIS DRAWING IS A CONTROLLED DOCUMENT.

DIMENSIONS: mm	
MATERIAL	

TOLERANCES UNLESS OTHERWISE SPECIFIED:	
0 PLC	±
1 PLC	±10.0
2 PLC	±5.0
3 PLC	±
4 PLC	±
ANGLES	±5°
FINISH	

DWN	26DEC2019
CHK	FRANK FAN
APVD	26DEC2019
	GEORGE FU
	26DEC2019
	MING SHI
PRODUCT SPEC	-
APPLICATION SPEC	-
WEIGHT	-
CUSTOMER DRAWING	

				TE Connectivity	
NAME 2 PINS WIRE TO WIRE CONNECTOR RECEPTACLE					
SIZE	CAGE CODE	DRAWING NO	RESTRICTED TO		
A3	00779	C-2271183	-		
SCALE		SHEET	OF	REV	
4:1		3	3	C2	

单击下面可查看定价，库存，交付和生命周期等信息

[>>TE Connectivity\(泰科\)](#)