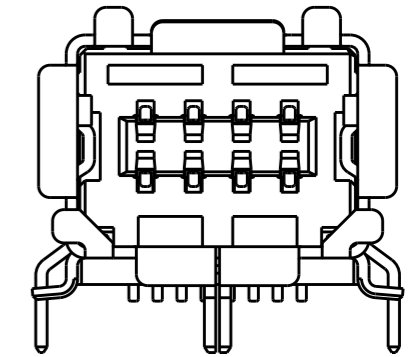
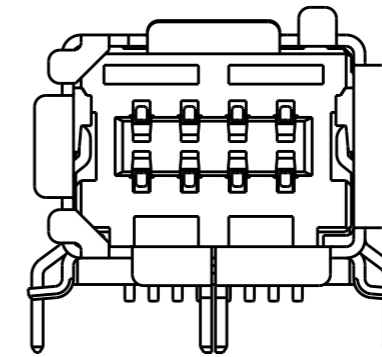
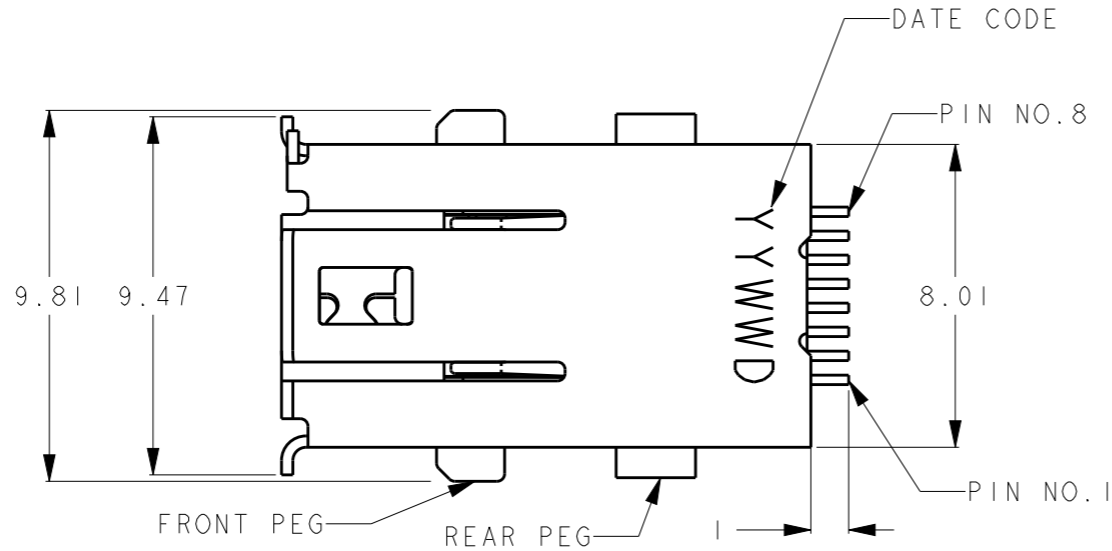


- 1: AS SHOWN

REVISIONS

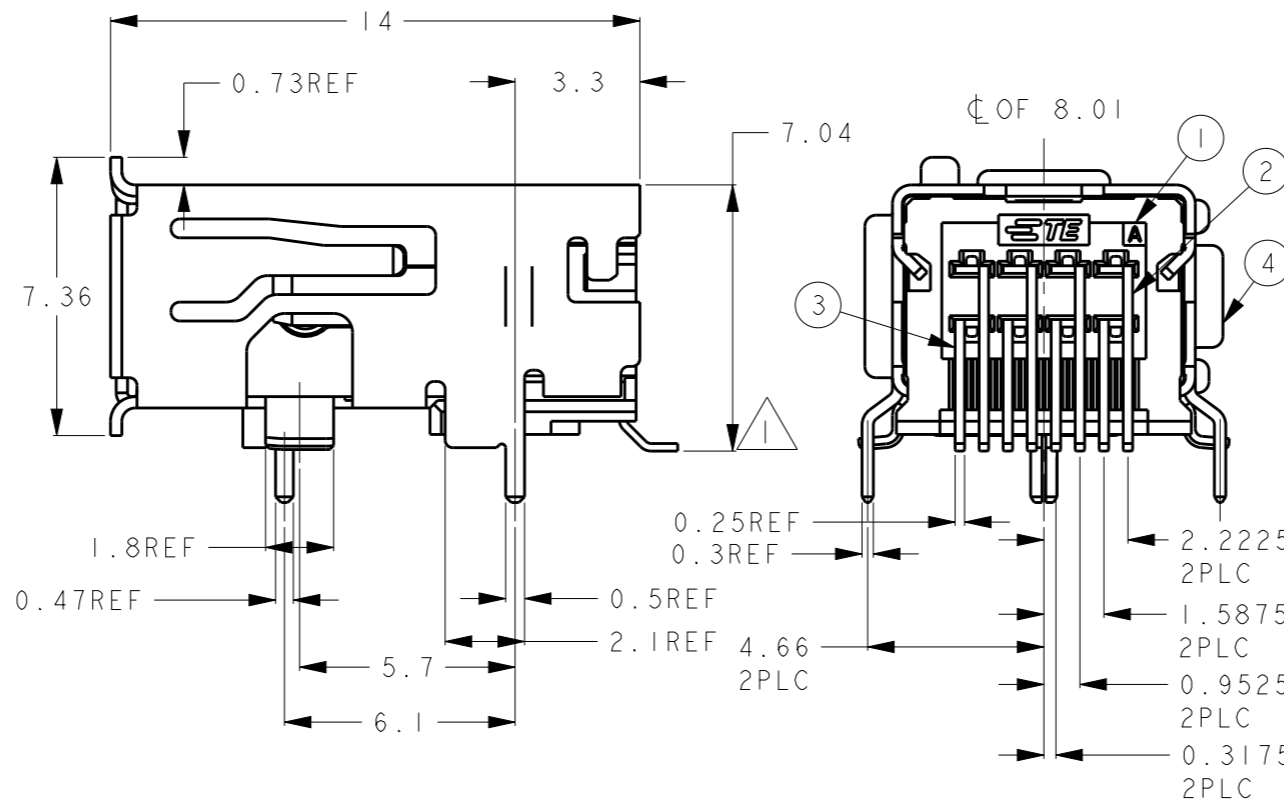
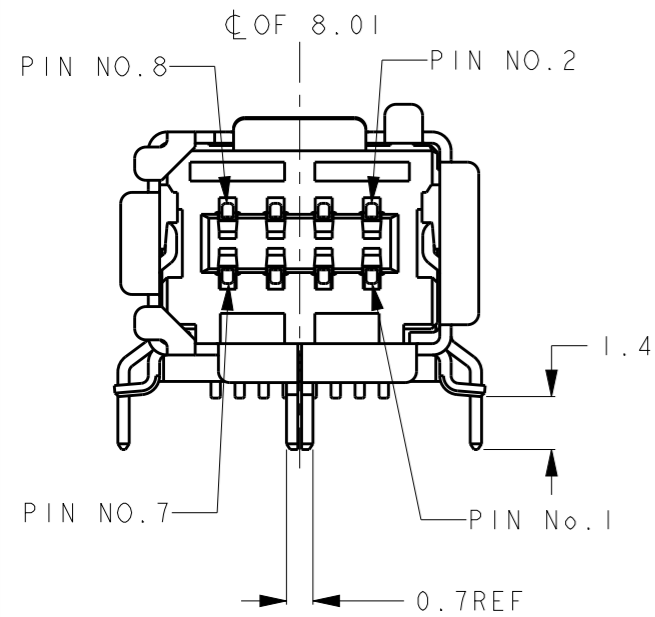
P	LTR	DESCRIPTION	DATE	DWN	APVD
A		RELEASED	28JUN2016	T.S	N.Y
B		REVISED	11JUL2016	T.S	N.Y



TYPE I

TYPE II


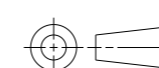
2294415-2	TYPE II	BLACK
2294415-1	TYPE I	BLACK
P/N	D-SHAPE	HOUSING COLOR



1 COPLANARITY: 0.08MAX (FRONT PEG, CONTACT)

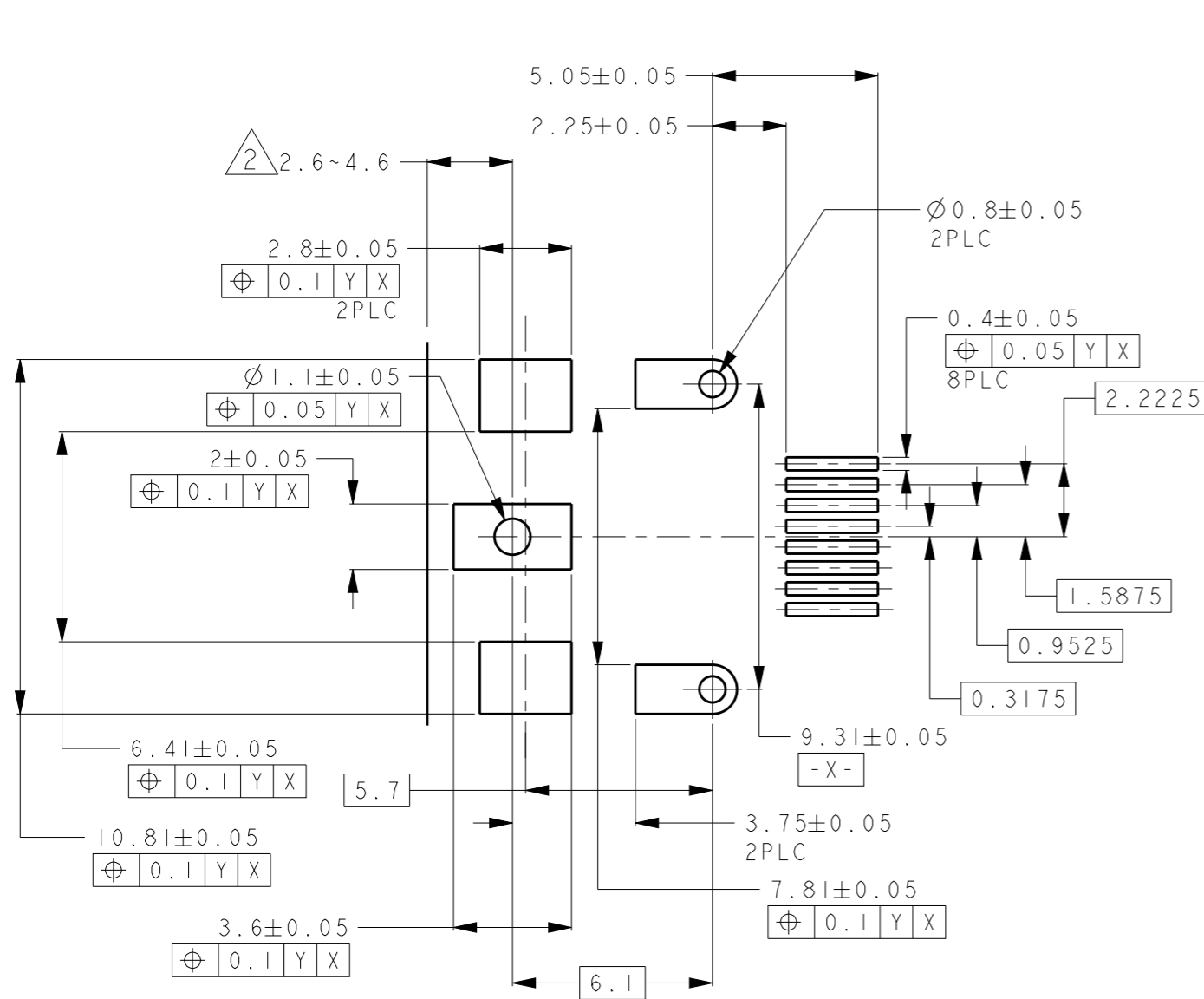
2 DIMENSION DECIDED BY CUSTOMER

QTY	DESCRIPTION	ITEM
1	HDR SHELL TYPE II MATERIAL:SUS UNDER ALL SURFACE Ni 0.00127MIN ALL SURFACE Sn 0.002MIN	4
-	HDR SHELL TYPE I MATERIAL:SUS UNDER ALL SURFACE Ni 0.00127MIN ALL SURFACE Sn 0.002MIN	4
4	HDR LOWER CONTACT MATERIAL:COPPER ALLOY UNDER ALL SURFACE Ni 0.00127MIN CONTACT AREA Au 0.0005MIN SOLDERING AREA Sn 0.002MIN	3
4	HDR UPPER CONTACT MATERIAL:COPPER ALLOY UNDER ALL SURFACE Ni 0.00127MIN CONTACT AREA Au 0.0005MIN SOLDERING AREA Sn 0.002MIN	2
1	HDR HOUSING MATERIAL:THERMO PLASTIC(UL94 V-0) COLOR:BLACK	1
-2	DESCRIPTION	ITEM

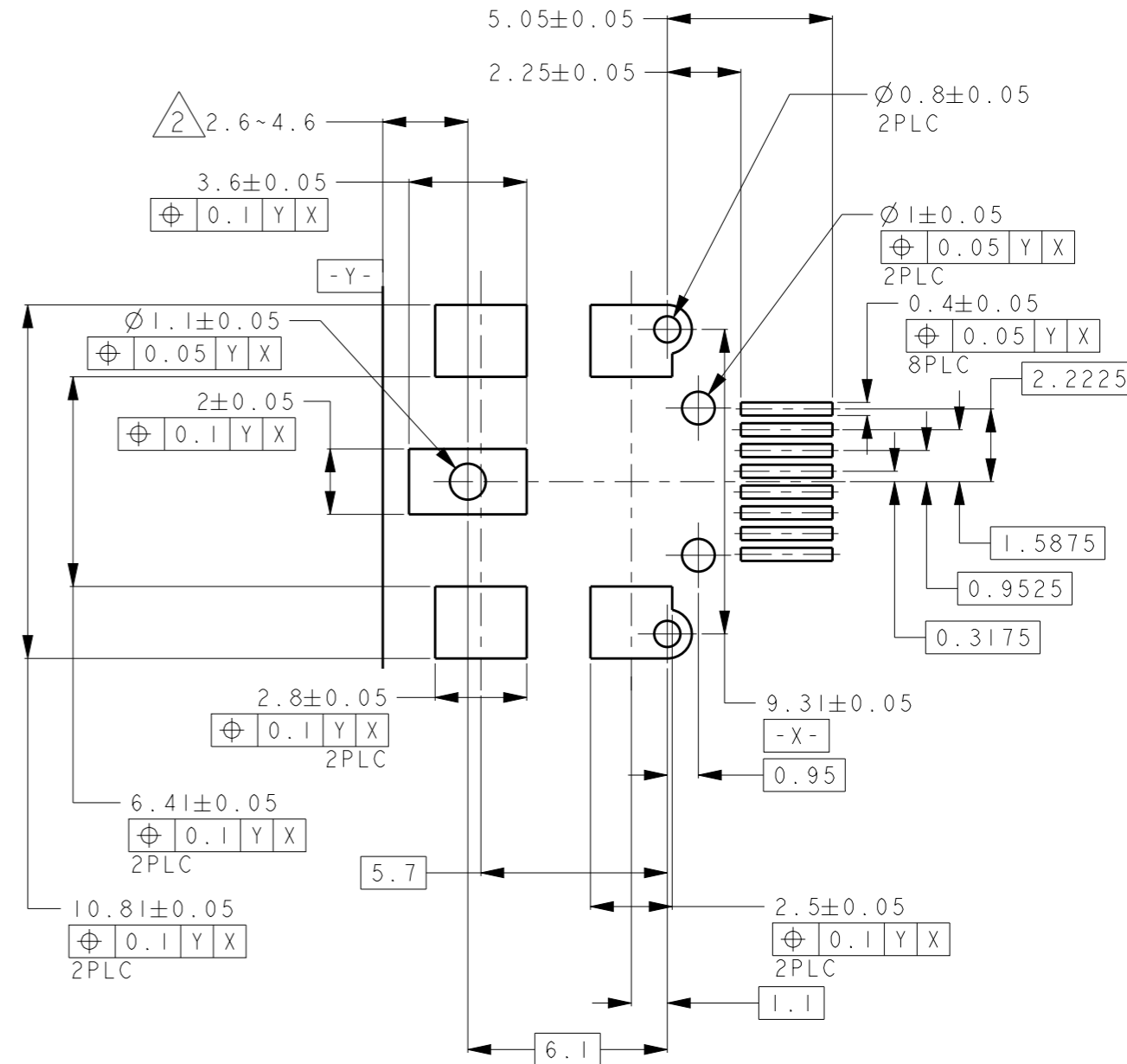
THIS DRAWING IS A CONTROLLED DOCUMENT.		DWN 28JUN2016 T. SHIMOYASU	 TE Connectivity	
DIMENSIONS: 単位: 概 mm		CHK 28JUN2016 E. TAKEMASA		
TOLERANCES UNLESS OTHERWISE SPECIFIED: 一般公差 ±0.3		APVD 28JUN2016 N. YAMASAKI	NAME 名称 INDUSTRIAL MINI I/O CONN. 1.27MM PITCH 8P HDR ASSY SMT TRAY	
		PRODUCT SPEC 製品規格 108-78405	SIZE A3	
MATERIAL 材料		APPLICATION SPEC 取付適用規格 114-32132	CAGE CODE -	DRAWING NO 番号 C-2294415
FINISH 仕上		WEIGHT -	RESTRICTED TO -	SCALE 尺度 5:1
CUSTOMER DRAWING		SHEET 1 OF 3		REV B

REVISIONS

P	LTR	DESCRIPTION	DATE	DWN	APVD
-	-	SEE SHEET 1	-	-	-



REFERENCE PCB DIMENSIONS (STANDARD) t=1.6±0.1



REFERENCE PCB DIMENSIONS (SAME AS 1981080-1/1981386-1) t=1.6±0.1

THIS DRAWING IS A CONTROLLED DOCUMENT.

DIMENSIONS: 単位: 耗 mm	TOLERANCES UNLESS OTHERWISE SPECIFIED: 一般公差 ±0.3
	0 PLC ±
	1 PLC ±
	2 PLC ±
	3 PLC ±
	4 PLC ±
ANGLES ±5°	
MATERIAL 材料	FINISH 仕上

DWN
CHK
APVD
PRODUCT SPEC 製品規格
APPLICATION SPEC 取付適用規格
WEIGHT
CUSTOMER DRAWING

STE TE Connectivity

NAME
名称 INDUSTRIAL MINI I/O CONN.
1.27MM PITCH 8P HDR ASSY SMT TRAY

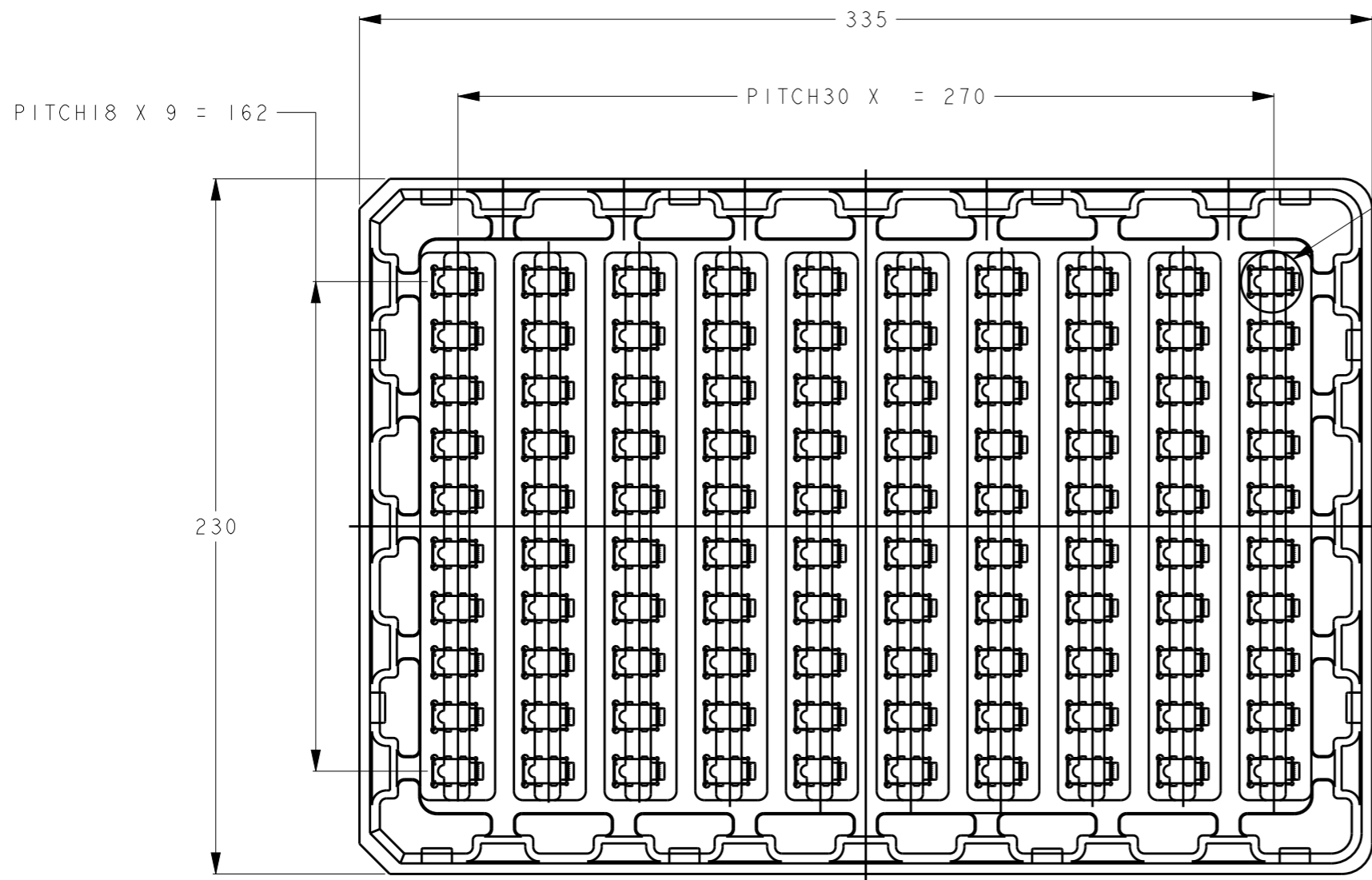
SIZE A3	CAGE CODE -	DRAWING NO 番号 C=2294415	RESTRICTED TO -
------------	----------------	-------------------------------	--------------------

SCALE 5:1 SHEET 2 OF 3 REV B

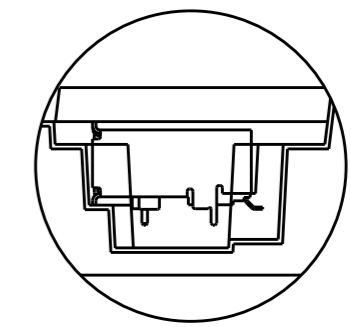
THIS DRAWING IS UNPUBLISHED. RELEASED FOR PUBLICATION 2015
 © COPYRIGHT 2015 BY Tyco Electronics Japan G.K. ALL RIGHTS RESERVED.

REVISIONS

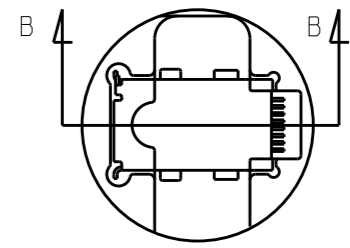
P	LTR	変更 DESCRIPTION	DATE	DWN	APVD
	-	SEE SHEET 1	-	-	-



DETAIL A



B-B



DETAIL A



PACKING REFERENCE

THIS DRAWING IS A CONTROLLED DOCUMENT.

DIMENSIONS: 単位: 耗 mm		TOLERANCES UNLESS OTHERWISE SPECIFIED: 一般公差 ± 3	
		0 PLC ±	1 PLC ±
		2 PLC ±	3 PLC ±
		4 PLC ±	ANGLES ± 5°
		FINISH 仕上	
		MATERIAL 材料	

DWN
CHK
APVD
PRODUCT SPEC 製品規格
APPLICATION SPEC 取付適用規格
WEIGHT
CUSTOMER DRAWING

STE TE Connectivity

NAME
名称 INDUSTRIAL MINI I/O CONN.
1.27MM PITCH 8P HDR ASSY SMT TRAY

SIZE A3	CAGE CODE -	DRAWING NO 番号 C-2294415	RESTRICTED TO -
SCALE 尺度 5:1		SHEET 3 OF 3	REV B

单击下面可查看定价，库存，交付和生命周期等信息

[>>TE Connectivity\(泰科\)](#)