

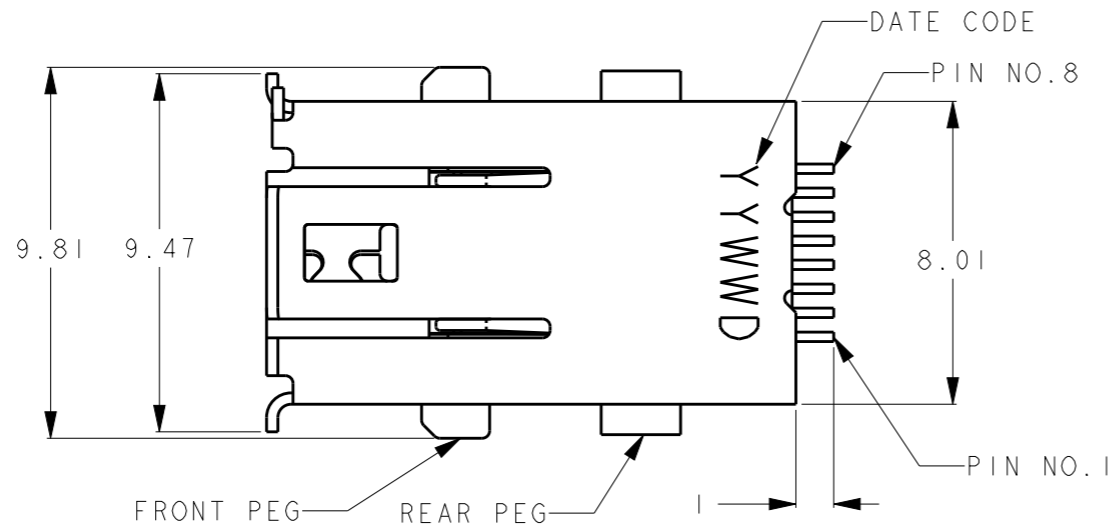
THIS DRAWING IS UNPUBLISHED. RELEASED FOR PUBLICATION 2016

© COPYRIGHT 2016 BY Tyco Electronics Japan G.K. ALL RIGHTS RESERVED.

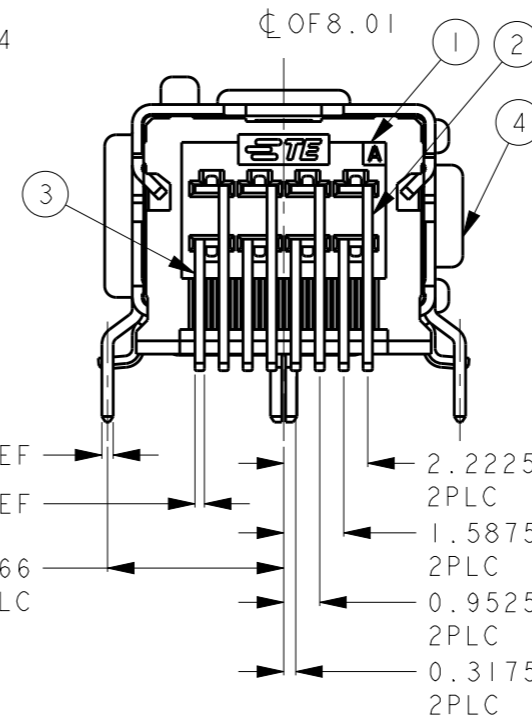
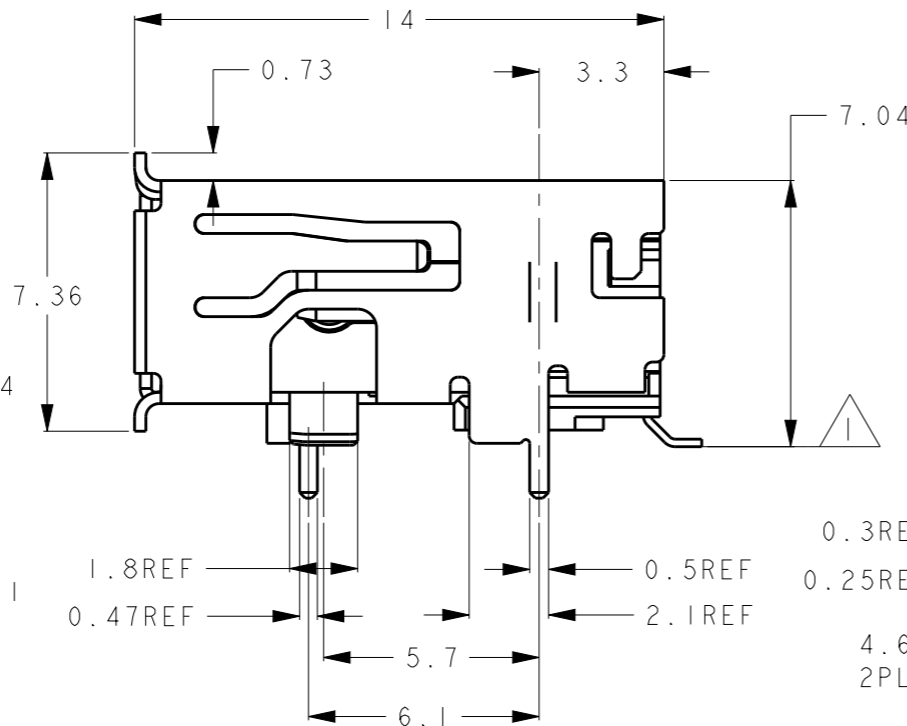
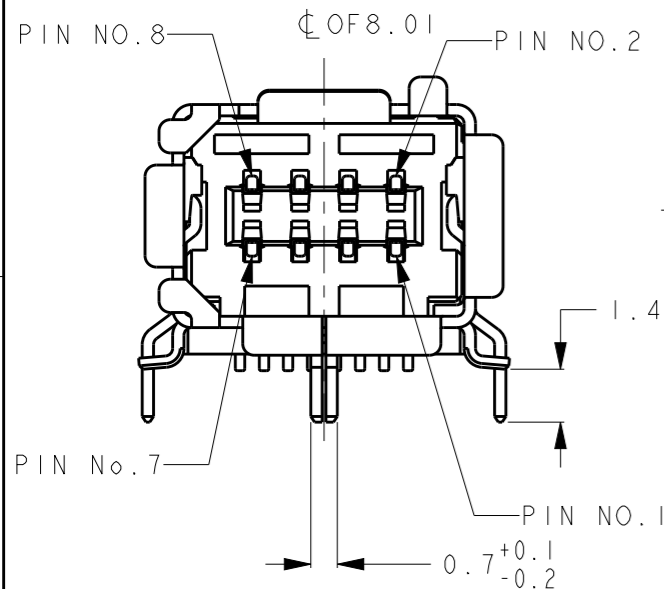
- 1: AS SHOWN

REVISIONS

P	LTR	DESCRIPTION	DATE	DWN	APVD
A		RELEASED	28JUN2016	T.S	N.Y
B		REVISED	11JUL2016	T.S	N.Y
B1		RELEASED PER ECR-18-009389	18JUN2018	PP	YO
B2		ADDED NEW PART VARIANT 3--1 AND 3--2	19OCT2020	SS	JDB



P/N	D-SHAPE	HOUSING COLOR
3-2294417-2	TYPE II	BLACK
3-2294417-1	TYPE I	BLACK
2294417-4	TYPE II	NATURAL
2294417-2	TYPE II	BLACK
2294417-1	TYPE I	BLACK



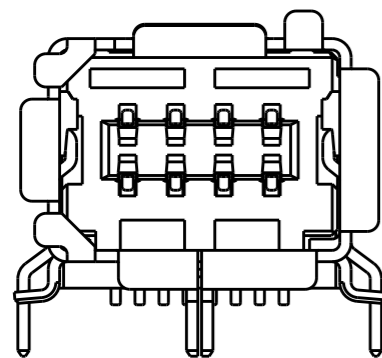
1 COPLANARITY: 0.08MAX (FRONT PEG, CONTACT)

2 DIMENSION DECIDED BY CUSTOMER

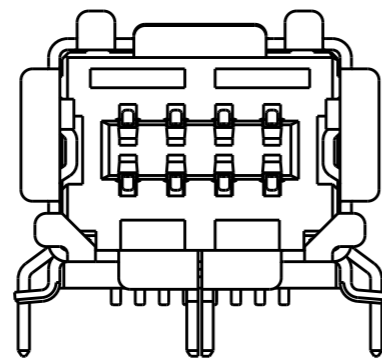
3. PRODUCT QUANTITY : 300/REEL

PRELIMINARY  
PRELIMINARY

DESCRIPTION	ITEM
HDR SHELL TYPE II MATERIAL: SUS UNDER ALL SURFACE Ni 0.00127MIN ALL SURFACE Sn 0.002MIN	4
HDR SHELL TYPE I MATERIAL: SUS UNDER ALL SURFACE Ni 0.00127MIN ALL SURFACE Sn 0.002MIN	4
HDR LOWER CONTACT MATERIAL: COPPER ALLOY UNDER ALL SURFACE Ni 0.00127MIN CONTACT AREA Au 0.76µm MIN SOLDERING AREA Sn 0.002MIN	3
HDR LOWER CONTACT MATERIAL: COPPER ALLOY UNDER ALL SURFACE Ni 0.00127MIN CONTACT AREA Au 0.5µm MIN SOLDERING AREA Sn 0.002MIN	2
HDR UPPER CONTACT MATERIAL: COPPER ALLOY UNDER ALL SURFACE Ni 0.00127MIN CONTACT AREA Au 0.76µm MIN SOLDERING AREA Sn 0.002MIN	2
HDR UPPER CONTACT MATERIAL: COPPER ALLOY UNDER ALL SURFACE Ni 0.00127MIN CONTACT AREA Au 0.5µm MIN SOLDERING AREA Sn 0.002MIN	2
HDR HOUSING MATERIAL: THERMO PLASTIC(UL94 V-0) COLOR: NATURAL	1
HDR HOUSING MATERIAL: THERMO PLASTIC(UL94 V-0) COLOR: BLACK	1
DESCRIPTION	ITEM



TYPE I



TYPE II

THIS DRAWING IS A CONTROLLED DOCUMENT.

DIMENSIONS: 単位: ㎜	TOLERANCES UNLESS OTHERWISE SPECIFIED:
0 PLC	一般公差 ±0.3
1 PLC	±
2 PLC	±
3 PLC	±
4 PLC	±
ANGLES	±5°

MATERIAL 材料 FINISH 仕上

DWN 28JUN2016 T. SHIMOYASU

CHK 28JUN2016 E. TAKEMASA

APVD 28JUN2016 N. YAMASAKI

PRODUCT SPEC 108-78405

APPLICATION SPEC 114-32132

WEIGHT 1.08g

CUSTOMER DRAWING

INDUSTRIAL MINI I/O CONN. 1.27MM PITCH 8P HDR ASSY SMT EMBOSS

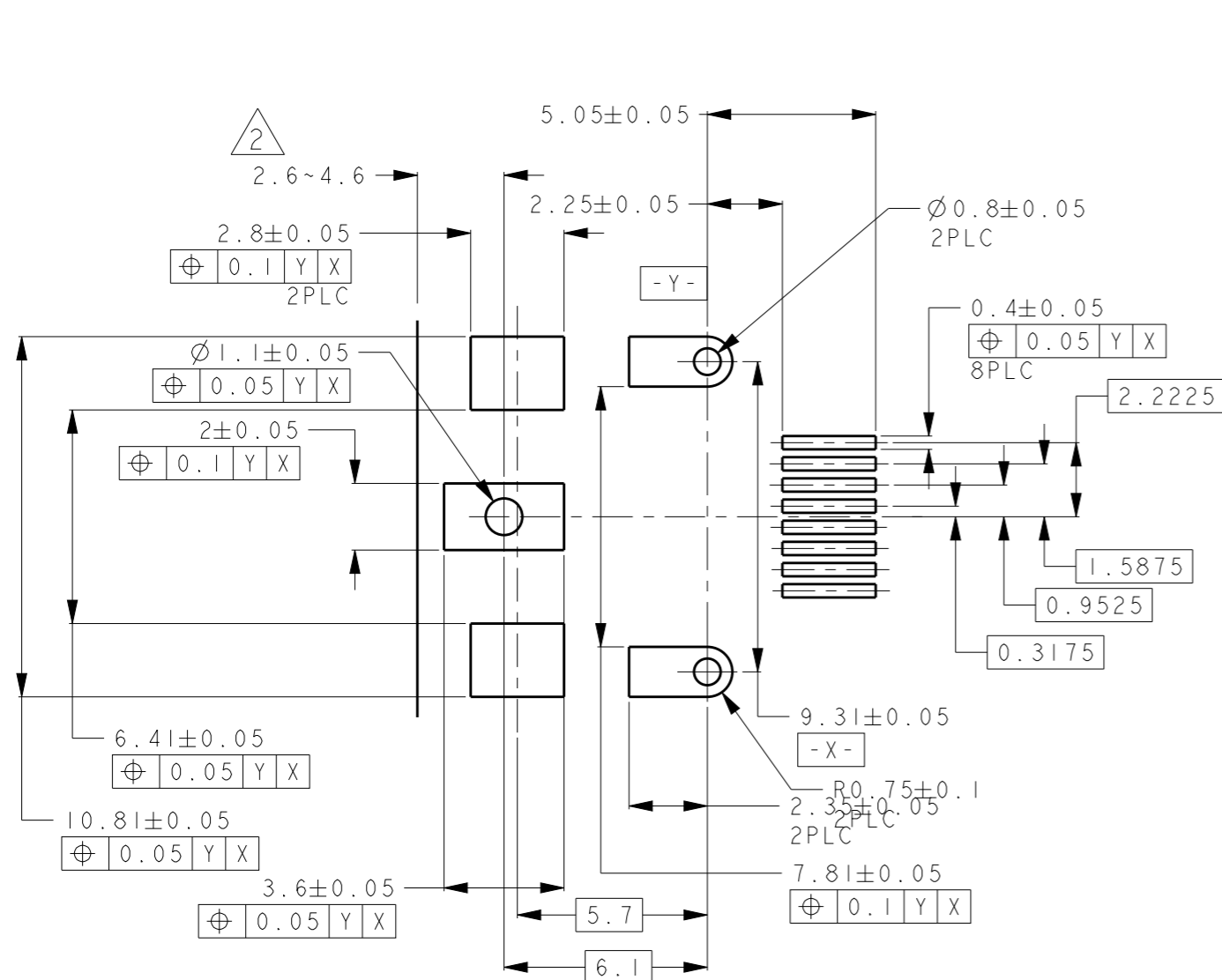
SIZE A3 CAGE CODE - DRAWING NO. C-2294417 RESTRICTED TO -

SCALE 5:1 SHEET 1 OF 3 REV B2

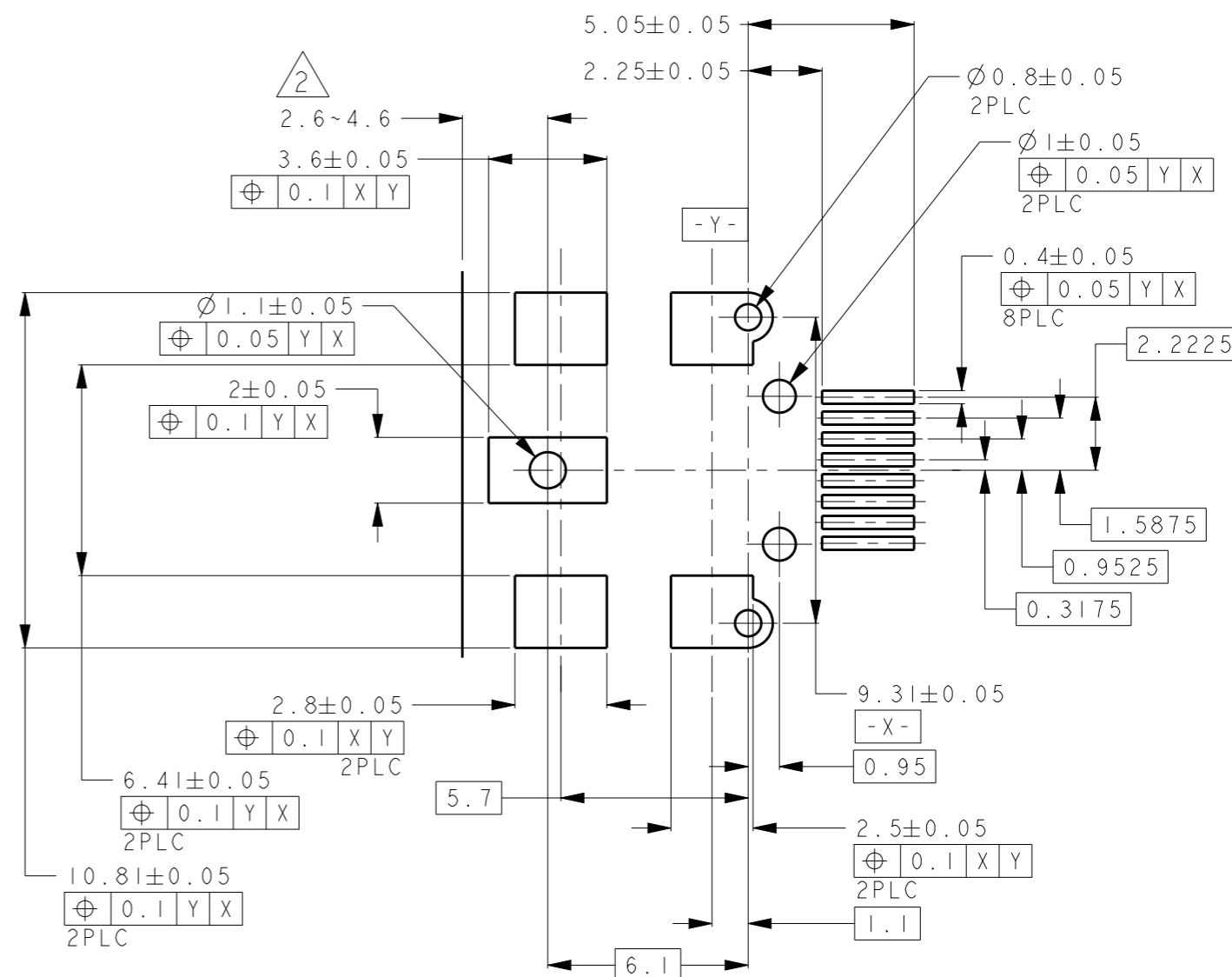


REVISIONS


P	LTR	DESCRIPTION	DATE	DWN	APVD
		SEE SHEET 1			



REFERENCE PCB DIMENSIONS (STANDARD) t=1.6±0.1



REFERENCE PCB DIMENSIONS (SAME AS 1981080-1/1981386-1) t=1.6±0.1

THIS DRAWING IS A CONTROLLED DOCUMENT.		DWN	 <b>TE Connectivity</b>	
DIMENSIONS: 単位: 耗 mm		CHK		
TOLERANCES UNLESS OTHERWISE SPECIFIED: 一般公差 ±0.3		APVD		
0-PLC ± 1-PLC ± 2-PLC ± 3-PLC ± 4-PLC ± ANGLES ±5°		PRODUCT SPEC 製品規格		
MATERIAL 材料		FINISH 仕上	WEIGHT	NAME 名称 INDUSTRIAL MINI I/O CONN. 1.27MM PITCH 8P HDR ASSY SMT EMBOSS
				SIZE A3 CAGE CODE - DRAWING NO. 番号 C-2294417 RESTRICTED TO -
				CUSTOMER DRAWING SCALE 尺度 4:1 SHEET 2 OF 3 REV B2

THIS DRAWING IS UNPUBLISHED.

RELEASED FOR PUBLICATION

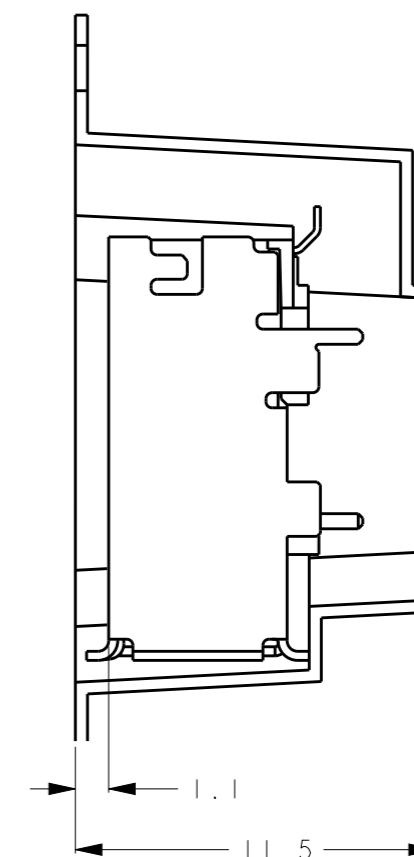
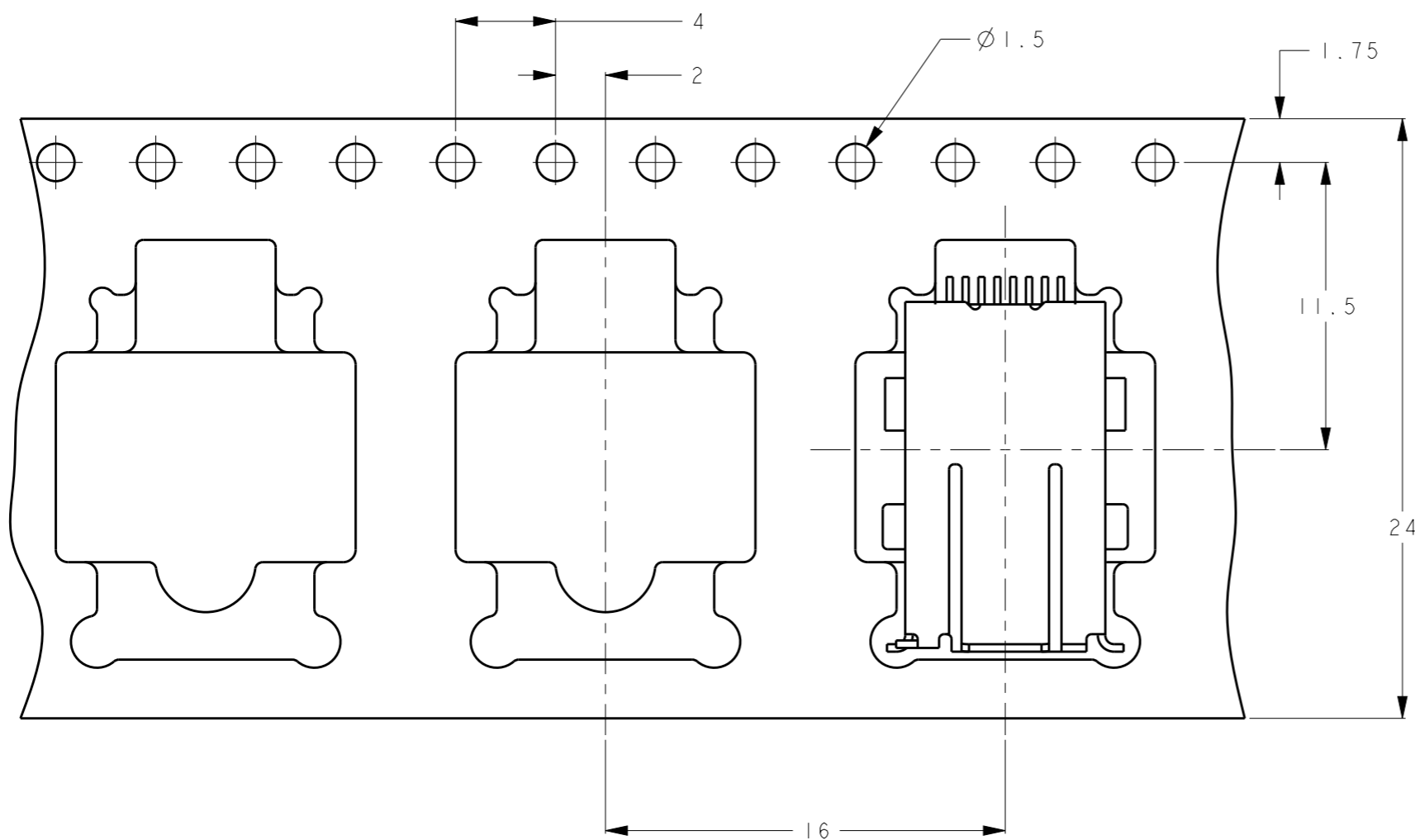
2016

© COPYRIGHT 2016 BY Tyco Electronics Japan G.K. ALL RIGHTS RESERVED.

REVISIONS

変更

P	LTR	DESCRIPTION	DATE	DWN	APVD
		SEE SHEET 1			



EMBOSS TAPE

THIS DRAWING IS A CONTROLLED DOCUMENT.

DIMENSIONS: 単位: 耗 mm		TOLERANCES UNLESS OTHERWISE SPECIFIED: 一般公差 ±0.5	
		0 PLC	±
		1 PLC	±
		2 PLC	±
		3 PLC	±
		4 PLC	±
MATERIAL 材料		FINISH 仕上	
ANGLES		±5°	

DWN
CHK
APVD
PRODUCT SPEC 製品規格
APPLICATION SPEC 取付適用規格
WEIGHT
CUSTOMER DRAWING

		TE Connectivity	
		NAME 名称 INDUSTRIAL MINI I/O CONN. 1.27MM PITCH 8P HDR ASSY SMT EMBOSS	
SIZE A3	CAGE CODE -	DRAWING NO 番号 C-2294417	RESTRICTED TO -
SCALE 尺度 4:1		SHEET 3 OF 3	REV B2

单击下面可查看定价，库存，交付和生命周期等信息

[>>TE Connectivity\(泰科\)](#)