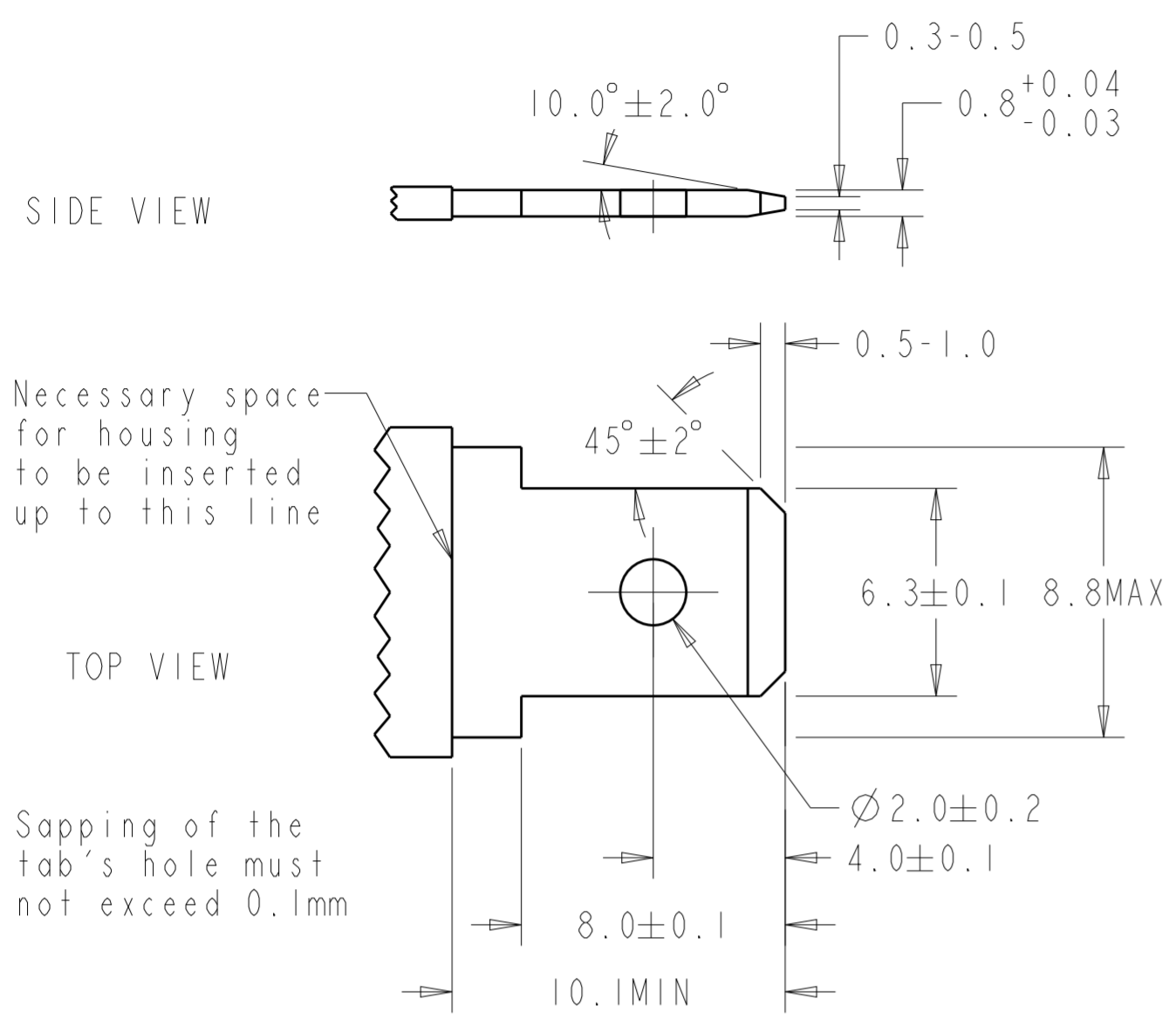


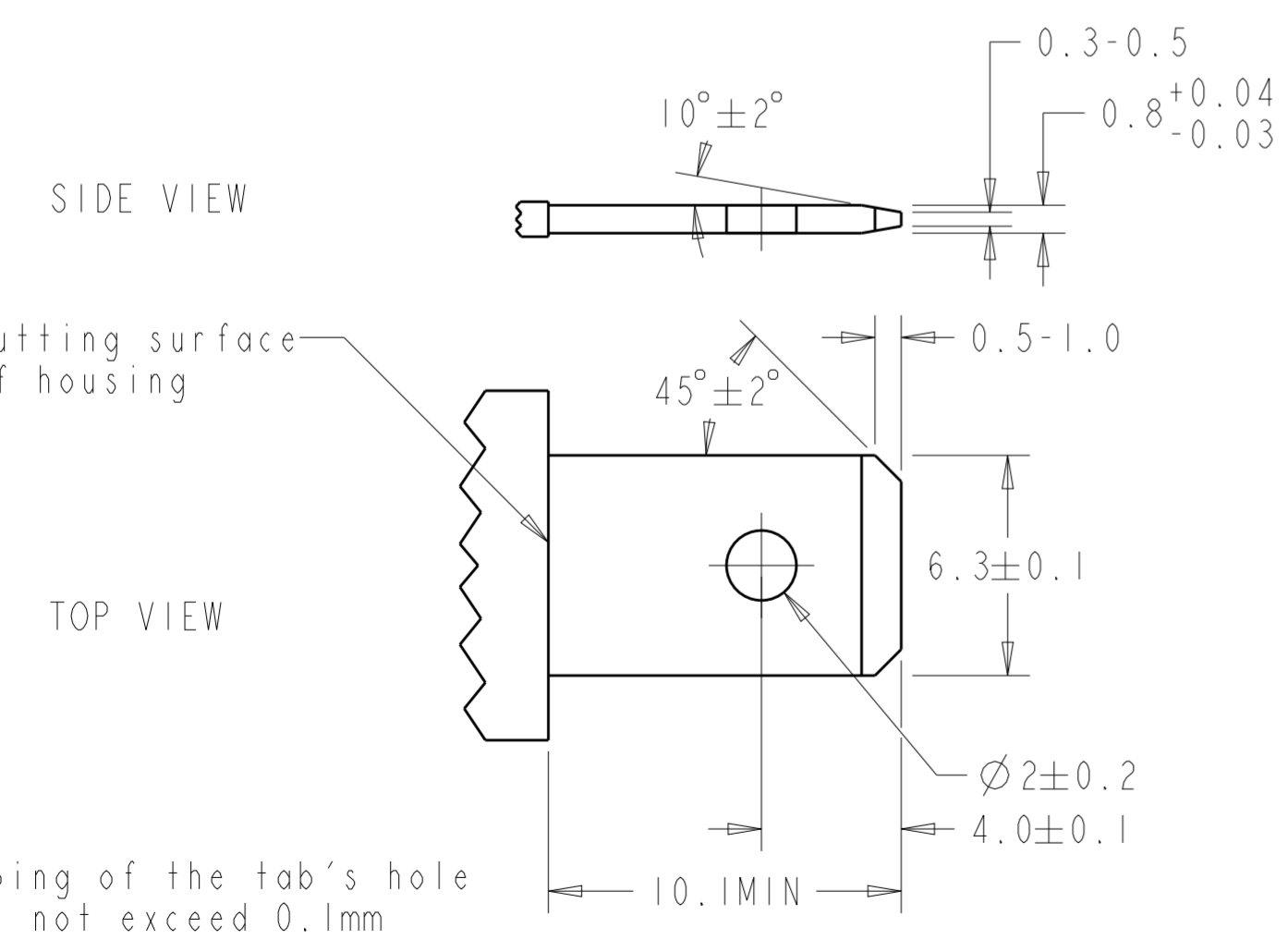
THIS DRAWING IS UNPUBLISHED. RELEASED FOR PUBLICATION 20
 © COPYRIGHT 20 BY - ALL RIGHTS RESERVED.

REVISIONS						
P	LTR	DESCRIPTION	DATE	DWN	APVD	
A8		ECR-20-010317	22JUL20	DT	EW	

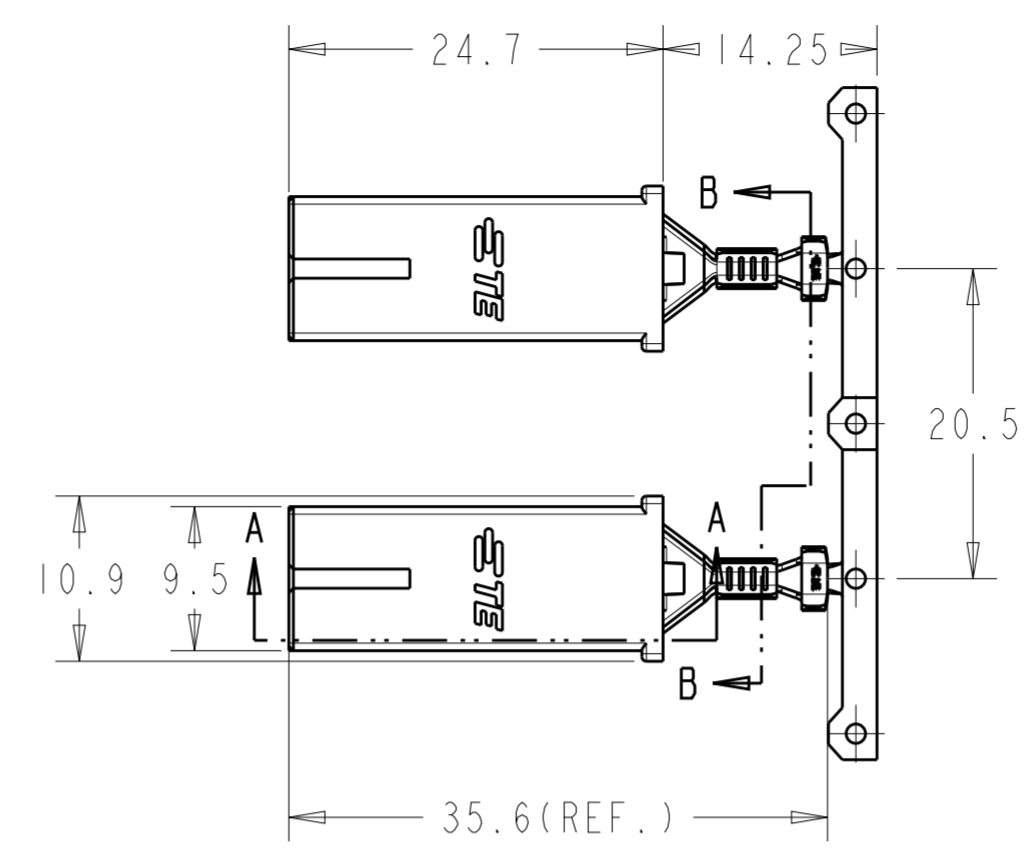
SUGGESTED MATING TAB



TYPE A (When using tab shoulder for butting)

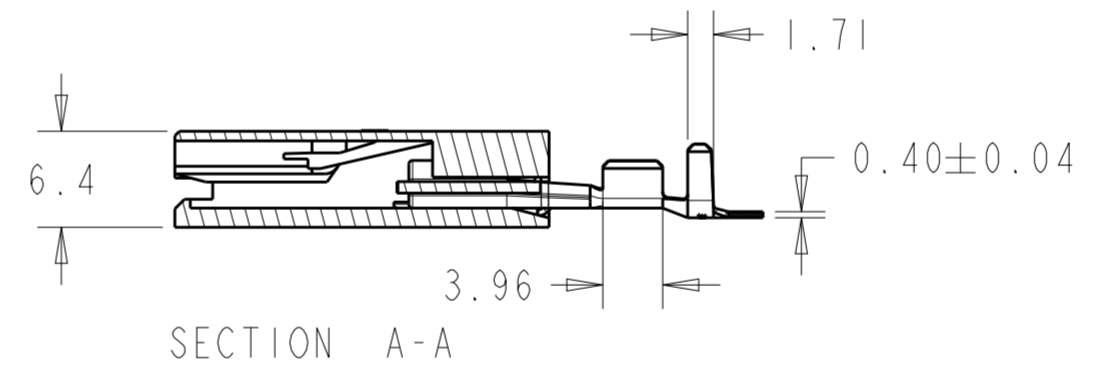
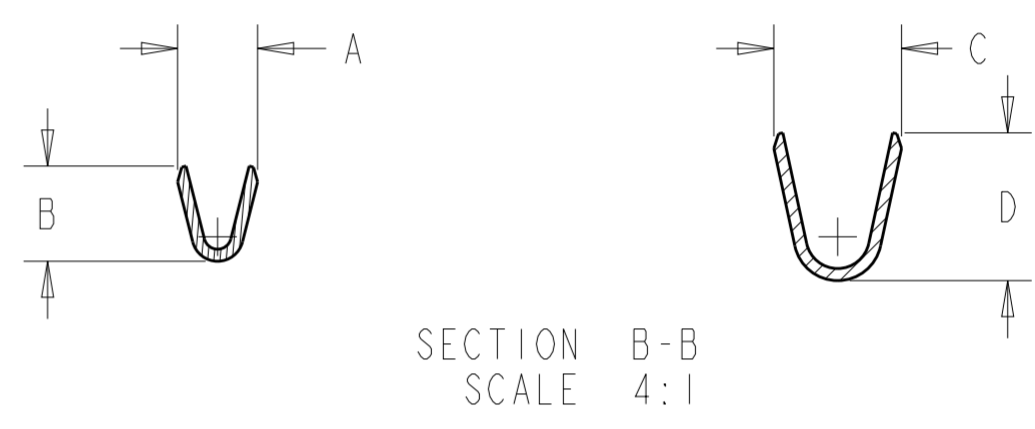


TYPE B (When using resin, etc. for butting)



NOTE:

1. HOUSING MATERIAL, NYLON 6/66, GLASS-FIBRE. UL94V-0.
2. GWT 750°C VERSION, ACCORDING TO IEC 60335-1.
3. CONTACT MATERIAL, TIN PLATED BRASS.
4. NEW PN WITH DIFFERENT PACKAGING QTY. AND SMALLER REELING SIZE (24in).



4	5.8REF.	6.2	4.5REF.	4.5	3.40-5.08	14-12	3-2299282-3
4	4.9REF.	5.3	3.9REF.	3.5	3.0-4.0	18-14	3-2299282-2
4	4.9REF.	4.2	3.1REF.	2.6	2.2-3.0	22-18	3-2299282-1
	5.8REF.	6.2	4.5REF.	4.5	3.40-5.08	14-12	2299282-3
	4.9REF.	5.3	3.9REF.	3.5	3.0-4.0	18-14	2299282-2
	4.9REF.	4.2	3.1REF.	2.6	2.2-3.0	22-18	2299282-1
	DIM D	DIM C	DIM B	DIM A	INSULATION(mm)	WIRE SIZE(AWG)	P/N

THIS DRAWING IS A CONTROLLED DOCUMENT.

DWN	LEI.PAN	14NOV2016
CHK	TIM.DING	14NOV2016
APVD	TIM.DING	14NOV2016
PRODUCT SPEC	108-106262	
APPLICATION SPEC	114-106262	
WEIGHT	-	
CUSTOMER DRAWING	SCALE 5:1 SHEET 1 OF 1 REV A8	

STE TE Connectivity
 NAME: POD-LOK 250 STR.ASSY.
 SIZE: A2 CAGE CODE: - DRAWING NO: C-2299282 RESTRICTED TO: -

单击下面可查看定价，库存，交付和生命周期等信息

[>>TE Connectivity\(泰科\)](#)