

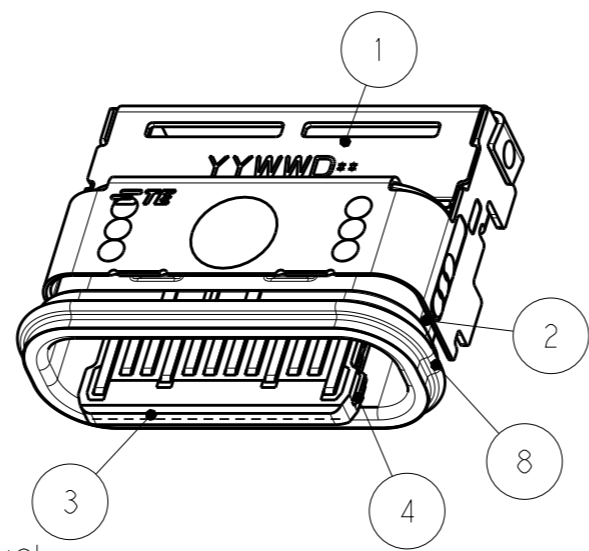
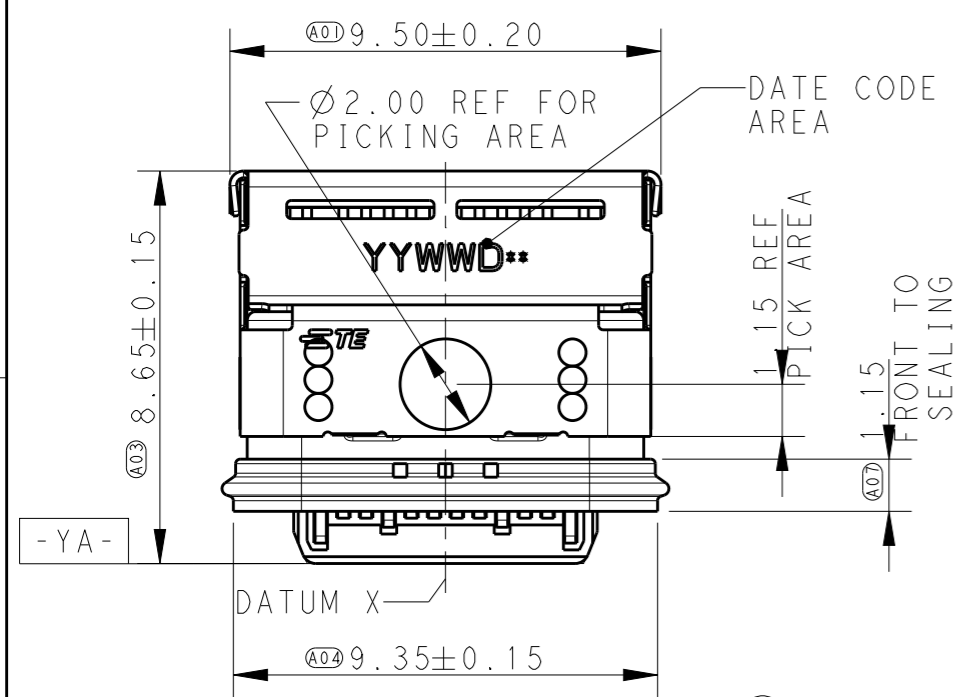
THIS DRAWING IS UNPUBLISHED. RELEASED FOR PUBLICATION 30

© COPYRIGHT 20 BY - ALL RIGHTS RESERVED.

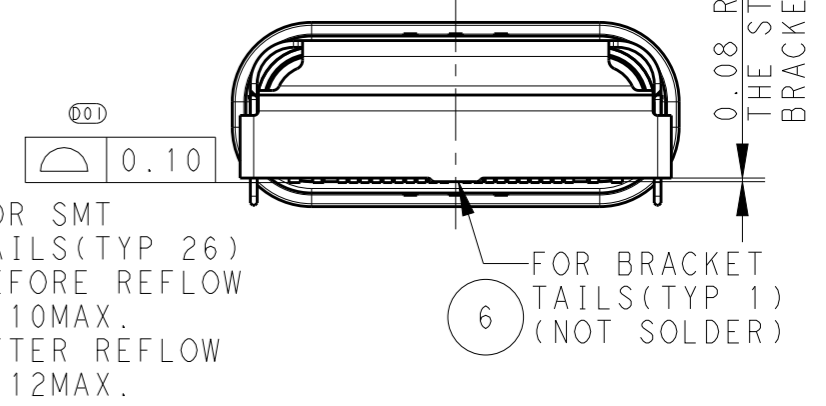
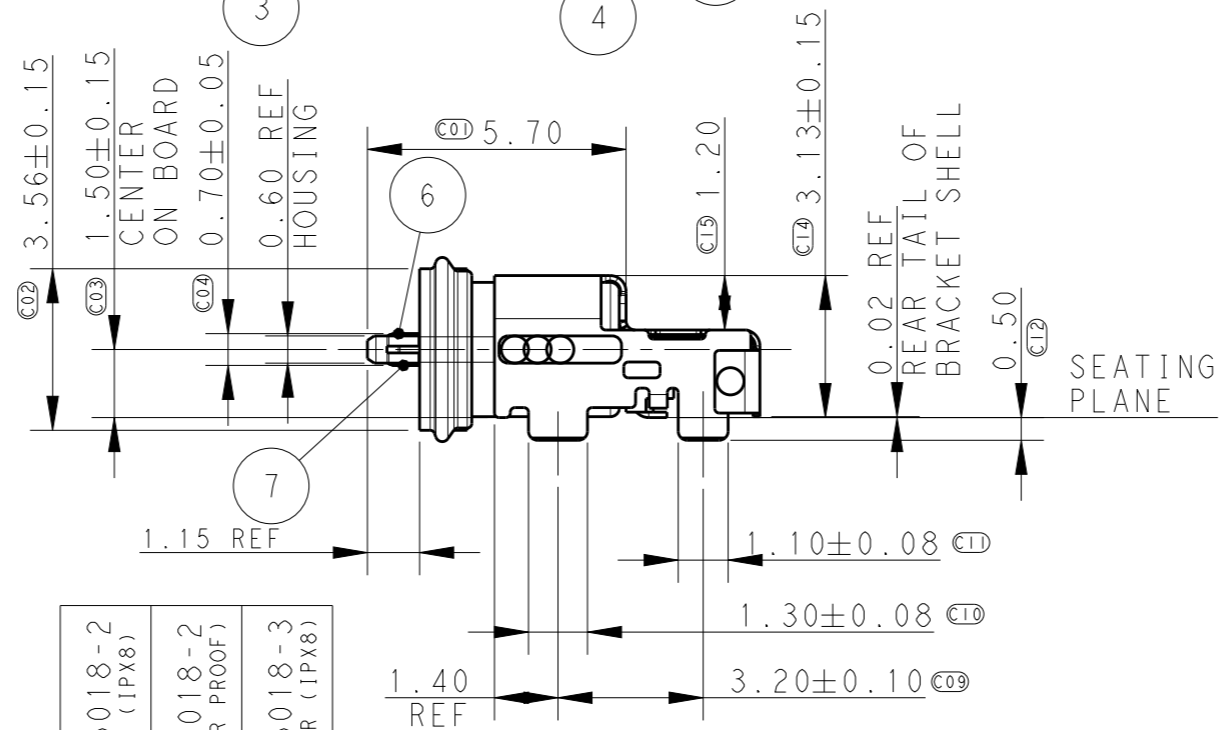
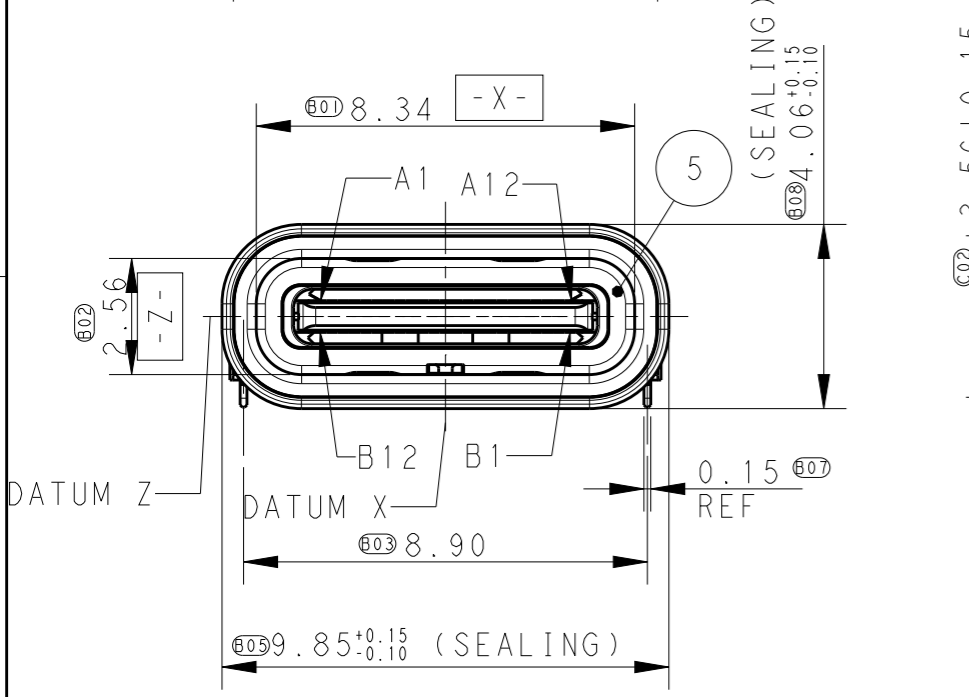
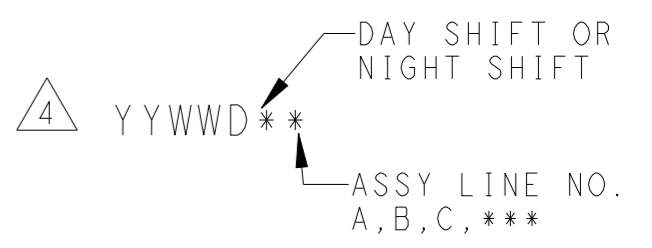
REVISIONS

P	LTR	DESCRIPTION	DATE	DWN	APVD
	A	INITIAL RELEASE	31OCT2018	J.M	S.L

SHOWN AS: 2305018-2



- NOTES:
- 1.MATERIAL : SEE TABLE "A".
  - 2.FINISH : SEE TABLE "A".
- △ 3 . PICKING AREA  
△ 4 . DATE CODE AREA
5. SC = SHARP CORNER



ITEM	DESCRIPTION	MATERIAL	REMARK	Q'TY	Q'TY	Q'TY
9	POTTING	SILICONE		1	1	1
8	SEALING	SILICONE		1	-	1
7	LOWER CONTACT	COPPER ALLOY OR EQUIVALENT	FUNCTION AREA: Au 0.75um PLATED. SOLDER AREA:GOLD FLASH PLATED. OVERALL:NI PLATED	1	1	1
6	UPPER CONTACT	COPPER ALLOY OR EQUIVALENT		1	1	1
5	INNER SHELL	STAINLESS STEEL OR EQUIVALENT	CLEANING	1	1	1
4	MID-PLATE	STAINLESS STEEL	NI PLATED ON SOLDER TAIL	1	1	1
3	MAIN IM	HIGH TEMPERATURE THERMO PLASTIC	GREEN, UL94V-0 BLACK, UL94V-0	1	1	1
2	MAIN SHELL	STAINLESS STEEL OR EQUIVALENT	CLEANING	1	1	1
1	BRACKET SHELL	STAINLESS STEEL	NI PLATED	1	1	1

TABLE "A"

ITEM	DESCRIPTION	MATERIAL	REMARK	Q'TY	Q'TY	Q'TY
9	POTTING	SILICONE		1	1	1
8	SEALING	SILICONE		1	-	1
7	LOWER CONTACT	COPPER ALLOY OR EQUIVALENT	FUNCTION AREA: Au 0.75um PLATED. SOLDER AREA:GOLD FLASH PLATED. OVERALL:NI PLATED	1	1	1
6	UPPER CONTACT	COPPER ALLOY OR EQUIVALENT		1	1	1
5	INNER SHELL	STAINLESS STEEL OR EQUIVALENT	CLEANING	1	1	1
4	MID-PLATE	STAINLESS STEEL	NI PLATED ON SOLDER TAIL	1	1	1
3	MAIN IM	HIGH TEMPERATURE THERMO PLASTIC	GREEN, UL94V-0 BLACK, UL94V-0	1	1	1
2	MAIN SHELL	STAINLESS STEEL OR EQUIVALENT	CLEANING	1	1	1
1	BRACKET SHELL	STAINLESS STEEL	NI PLATED	1	1	1

THIS DRAWING IS A CONTROLLED DOCUMENT.

DIMENSIONS:	TOLERANCES UNLESS OTHERWISE SPECIFIED:
mm	0 PLC ±0.5 1 PLC ±0.25 2 PLC ±0.25 3 PLC ±0.25 4 PLC ±0.25 ANGLES ±3°

DWN	12-DEC-2016
CHK	12-DEC-2016
APVD	12-DEC-2016
PRODUCT SPEC	108-115129-2
APPLICATION SPEC	501-115141-2
WEIGHT	-

**STE** TE Connectivity

NAME: TYPE C RECEPTACLE ON BOARD

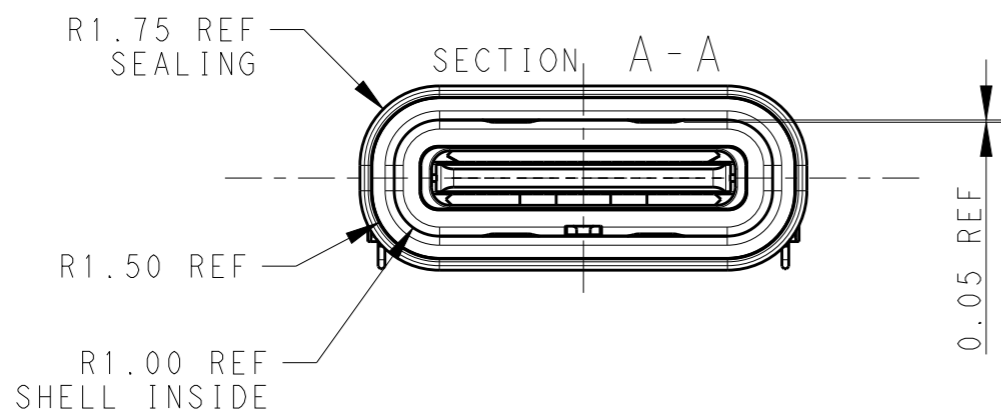
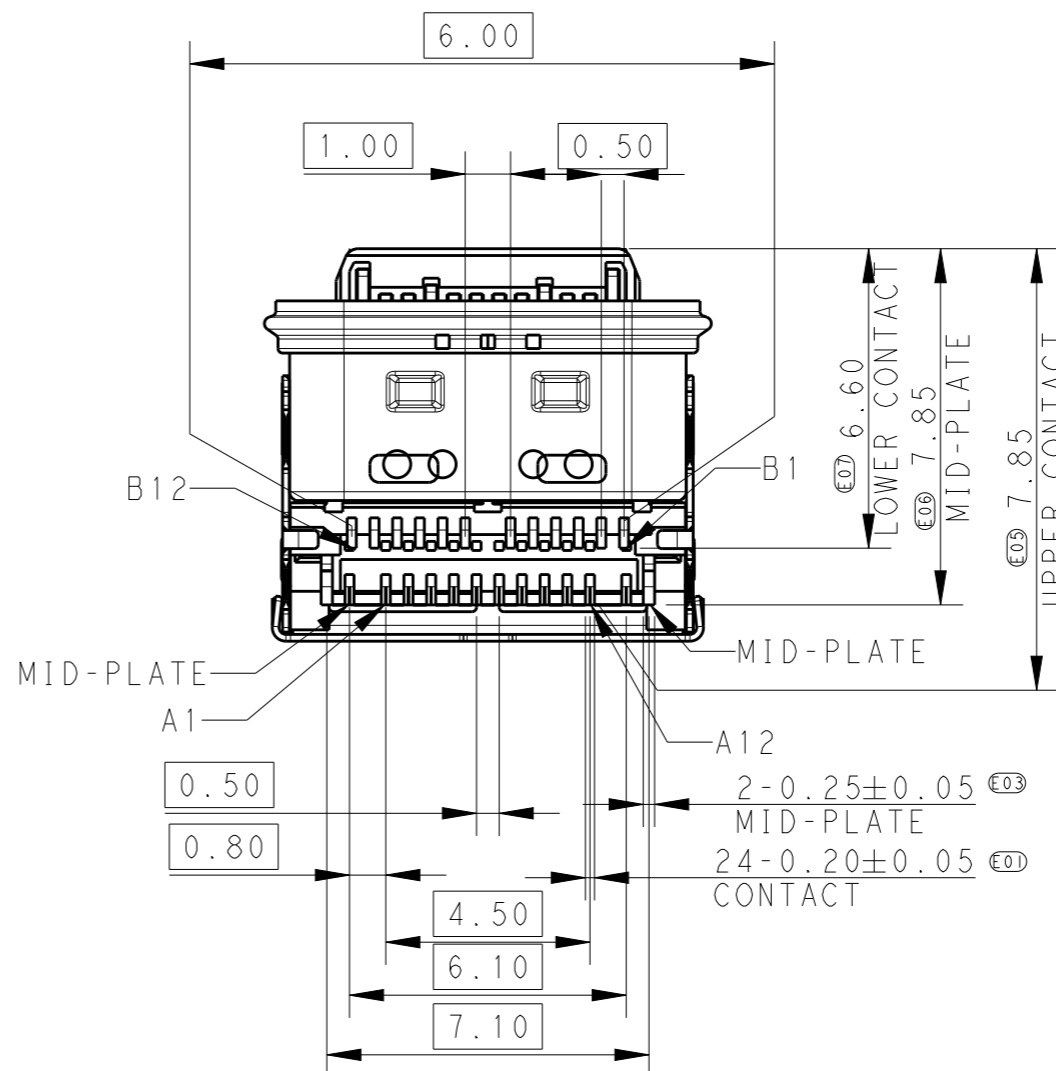
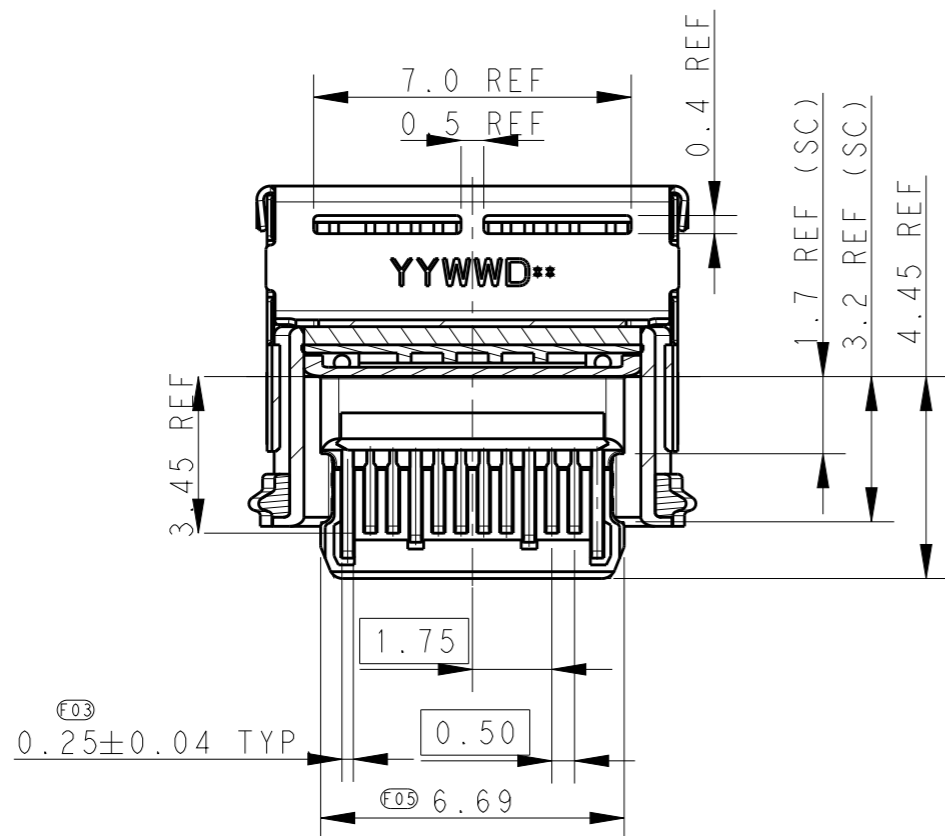
SIZE: A3 CAGE CODE: - DRAWING NO: C-2305018 RESTRICTED TO: -


CUSTOMER DRAWING SCALE: 7:1 SHEET: 1 OF 6 REV: A2

REVISIONS

P	LTR	DESCRIPTION	DATE	DWN	APVD
-	-	SEE SHEET 1	-	-	-

SHOWN AS: 2305018-2



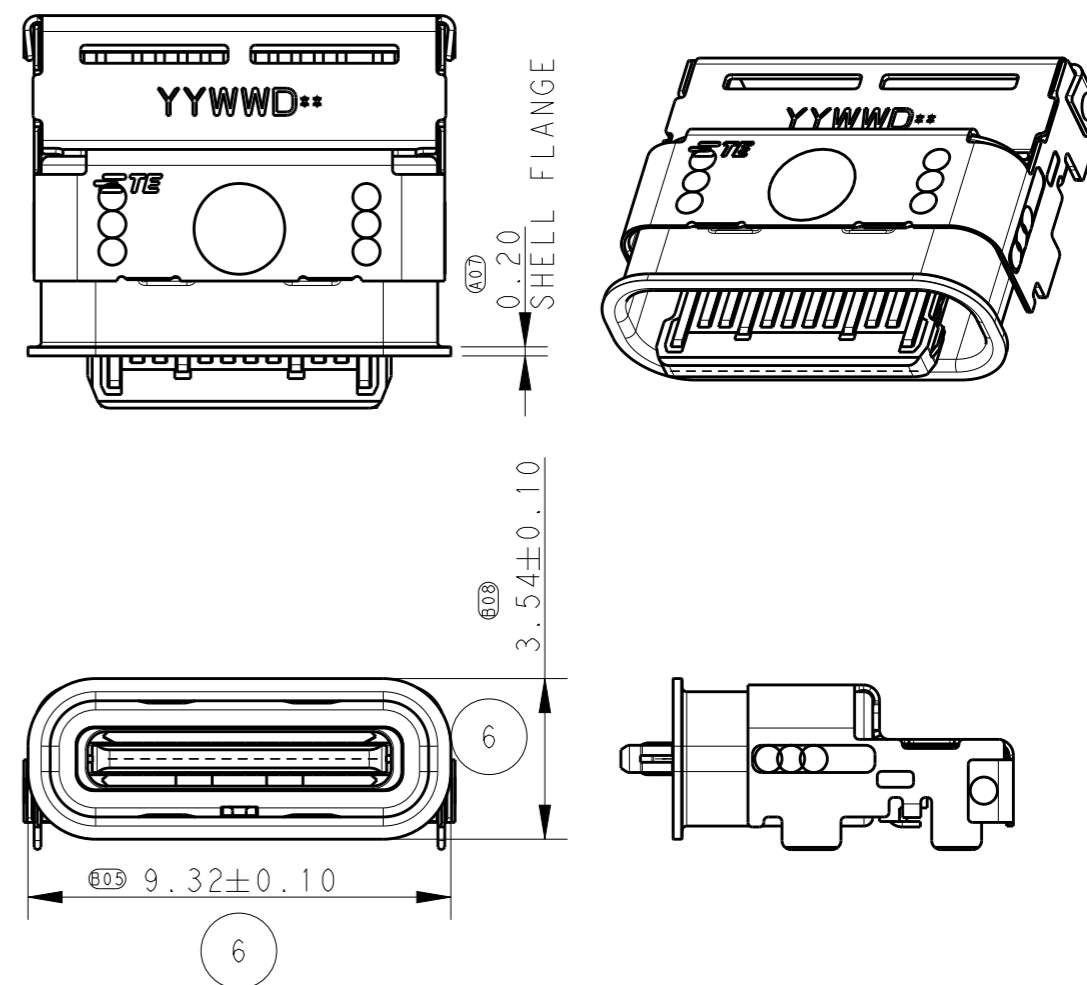
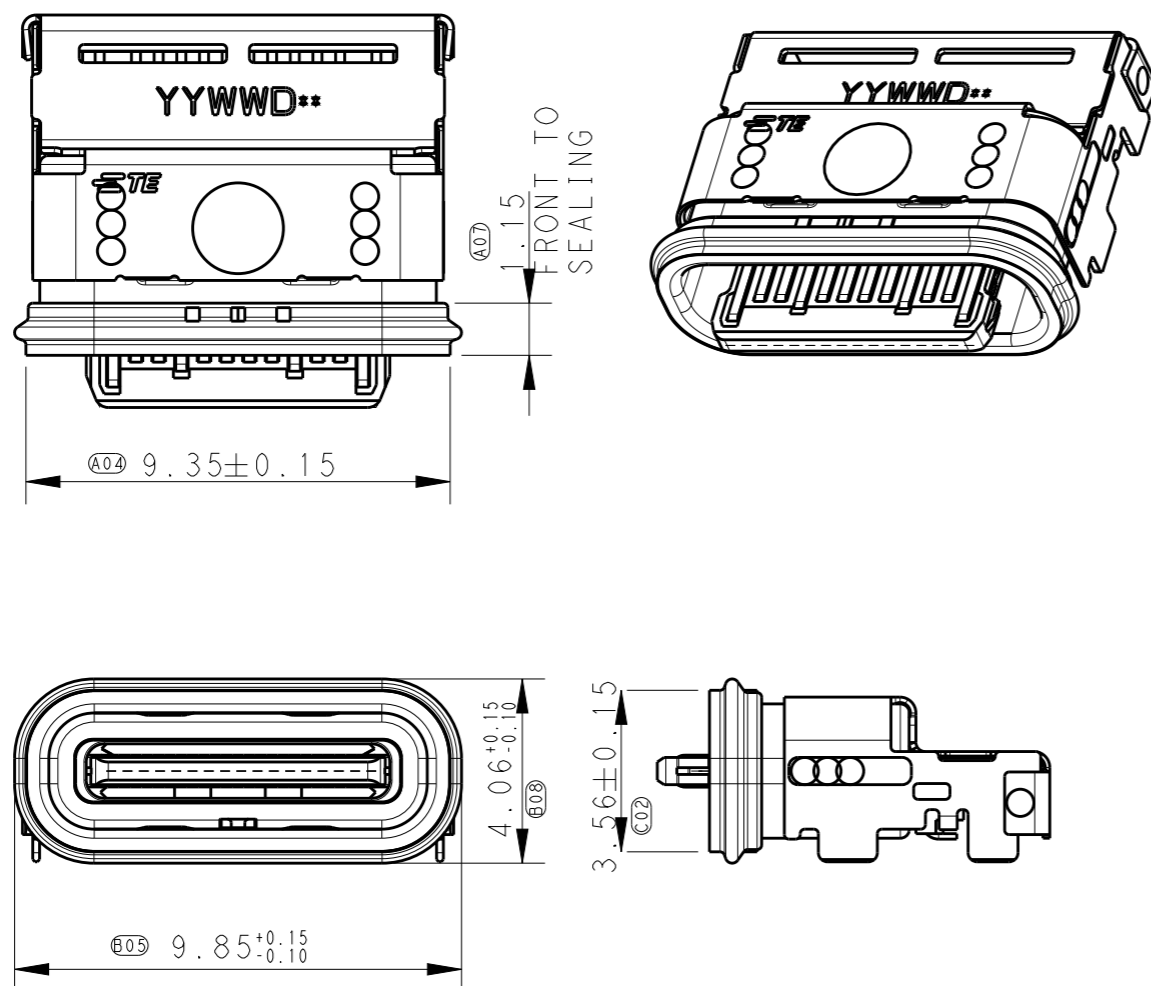
THIS DRAWING IS A CONTROLLED DOCUMENT.		DWN SOLDIER ZHANG 12-DEC-2016	 TE Connectivity	
DIMENSIONS: mm		CHK HAPYE WU 12-DEC-2016		
TOLERANCES UNLESS OTHERWISE SPECIFIED:		APVD HAPYE WU 12-DEC-2016	NAME TYPE C RECEPTACLE ON BOARD	
0 PLC ±0.5 1 PLC ±0.25 2 PLC ±0.25 3 PLC ±0.25 4 PLC ±0.25 ANGLES ±3°		PRODUCT SPEC 108-115129-2	SIZE A3	
MATERIAL -		APPLICATION SPEC 501-115141-2	CAGE CODE -	DRAWING NO C-2305018
FINISH -		WEIGHT -	RESTRICTED TO -	
		CUSTOMER DRAWING	SCALE 7:1	SHEET 2 OF 6
			REV A2	

REVISIONS

P	LTR	DESCRIPTION	DATE	DWN	APVD
-	-	SEE SHEET 1	-	-	-

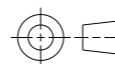
SHOWN AS: 2305018-2, 2305018-3

SHOWN AS: 1-2305018-2



THIS DRAWING IS A CONTROLLED DOCUMENT.

DIMENSIONS:  
mm



TOLERANCES UNLESS OTHERWISE SPECIFIED:

- 0 PLC  $\pm 0.5$
- 1 PLC  $\pm 0.25$
- 2 PLC  $\pm 0.25$
- 3 PLC  $\pm 0.25$
- 4 PLC  $\pm 0.25$
- ANGLES  $\pm 3^\circ$

MATERIAL

FINISH

DWN 12-DEC-2016

SOLDIER ZHANG

CHK 12-DEC-2016

HAPYE WU

APVD 12-DEC-2016

HAPYE WU

PRODUCT SPEC

108-115129-2

APPLICATION SPEC

501-115141-2

WEIGHT

-

CUSTOMER DRAWING



TE Connectivity

NAME  
TYPE C RECEPTACLE  
ON BOARD

SIZE

A3

CAGE CODE

-

DRAWING NO

C-2305018

RESTRICTED TO

-

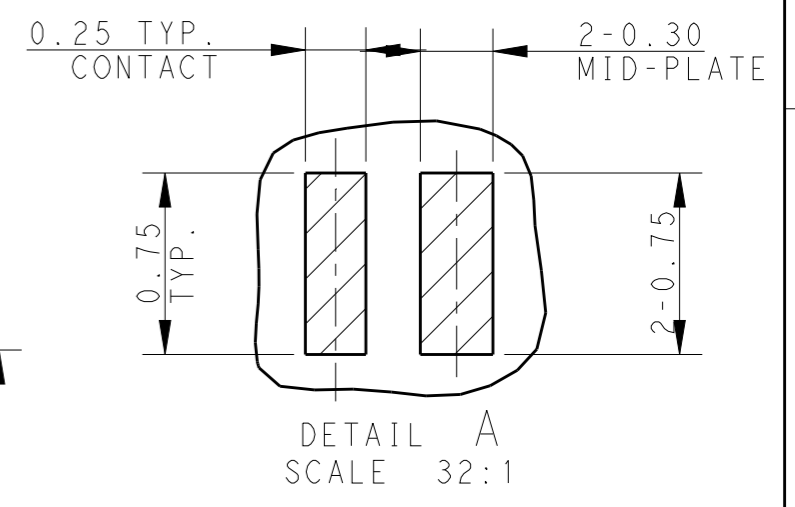
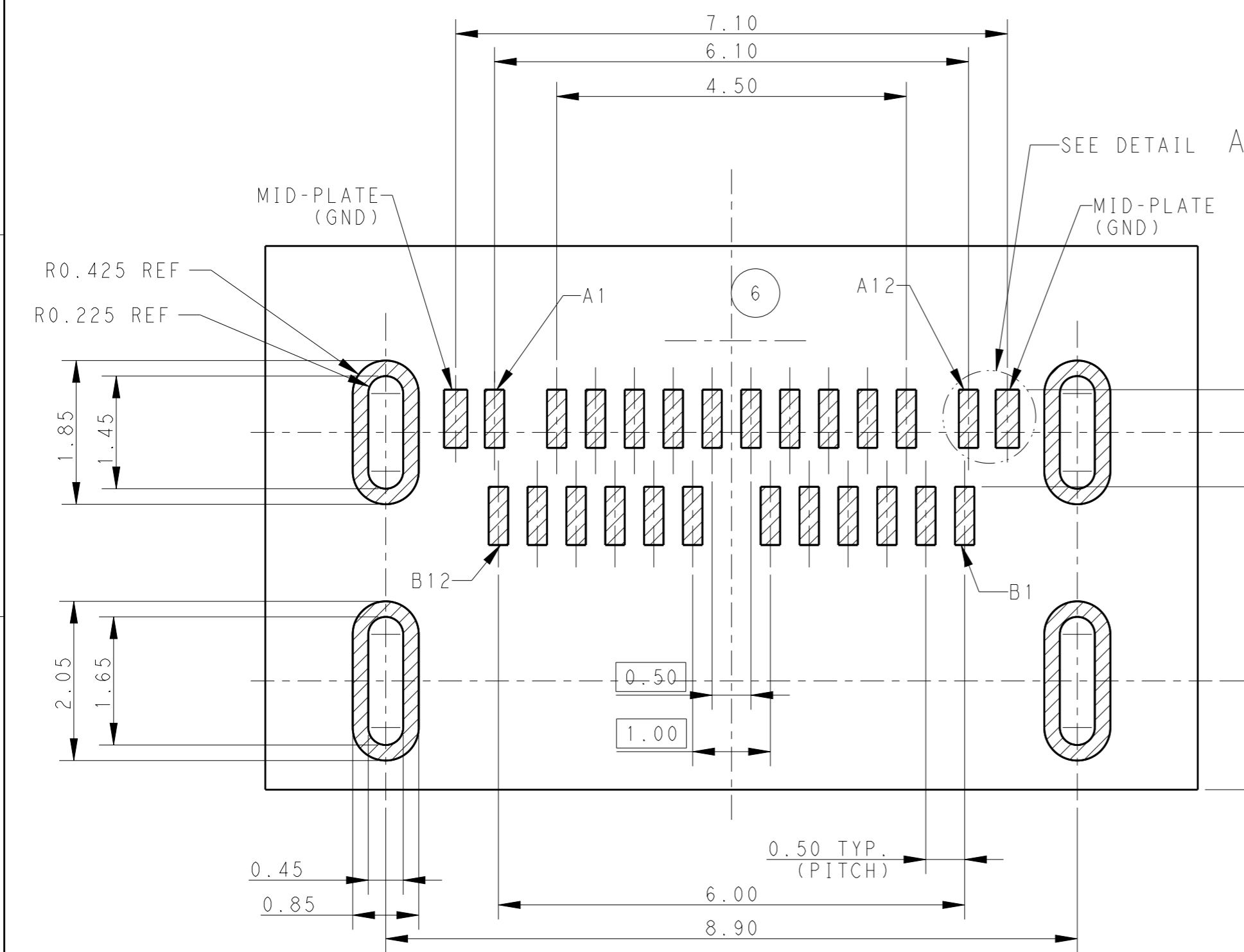
SCALE 7:1

SHEET 3 OF 6

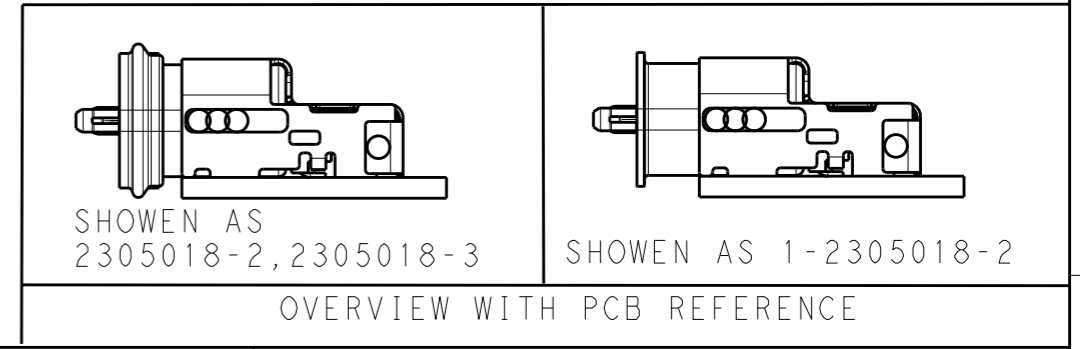
REV A2

THIS DRAWING IS UNPUBLISHED. RELEASED FOR PUBLICATION 20  
 © COPYRIGHT 20 BY - ALL RIGHTS RESERVED.

REVISIONS					
P	LTR	DESCRIPTION	DATE	DWN	APVD
-	-	SEE SHEET 1	-	-	-



SCALE 16:1  
 PCB LAYOUT REFERENCE THICKNESS 0.55 mm  
 GENERAL TOLERANCE: ± 0.03



RECEPTACLE PIN LABEL:

A1	A2	A3	A4	A5	A6	A7	A8	A9	A10	A11	A12
GND	TX1+	TX1-	VBUS	CC1	D+	D-	SBU1	VBUS	RX2-	RX2+	GND
GND	RX1+	RX1-	VBUS	SBU2	D-	D+	CC2	VBUS	TX2-	TX2+	GND
B12	B11	B10	B9	B8	B7	B6	B5	B4	B3	B2	B1

THIS DRAWING IS A CONTROLLED DOCUMENT.	
DIMENSIONS: mm	TOLERANCES UNLESS OTHERWISE SPECIFIED:
	0 PLC ±0.5
	1 PLC ±0.25
	2 PLC ±0.25
	3 PLC ±0.25
	4 PLC ±0.25
	ANGLES ±3°
MATERIAL	FINISH
-	-

DWN	12-DEC-2016
SOLDIER	ZHANG
CHK	12-DEC-2016
HAPYE	WU
APVD	12-DEC-2016
HAPYE	WU
PRODUCT SPEC	108-115129-2
APPLICATION SPEC	501-115141-2
WEIGHT	-
CUSTOMER DRAWING	

TE Connectivity		NAME	
		TYPE C RECEPTACLE ON BOARD	
SIZE	CAGE CODE	DRAWING NO	RESTRICTED TO
A3	-	©-2305018	-
SCALE 7:1		SHEET 4 OF 6	REV A2

THIS DRAWING IS UNPUBLISHED.

RELEASED FOR PUBLICATION

20

© COPYRIGHT 20 BY -

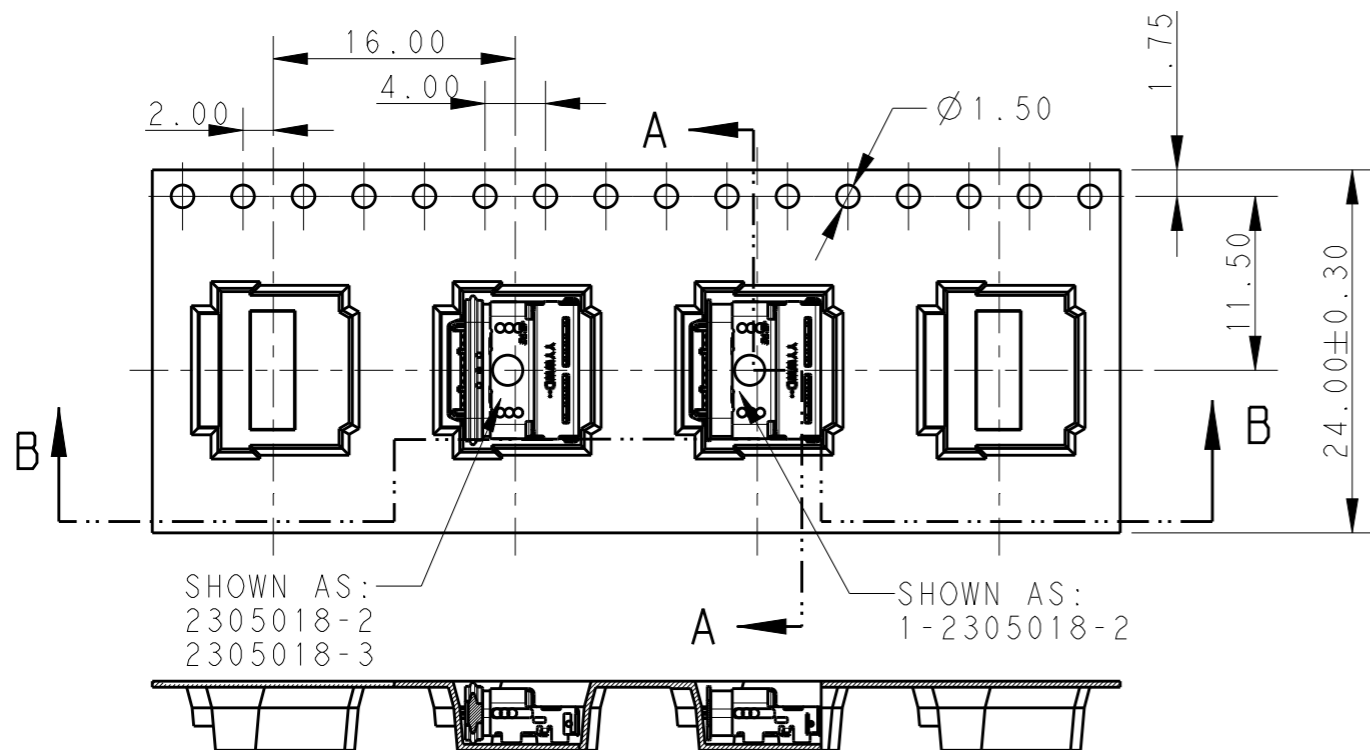
ALL RIGHTS RESERVED.

REVISIONS

P	LTR	DESCRIPTION	DATE	DWN	APVD
-	-	SEE SHEET 1	-	-	-

SHOWN AS: 2305018-2, 2305018-3, 1-2305018-2

CUSTOMER FEED DIRECTION →

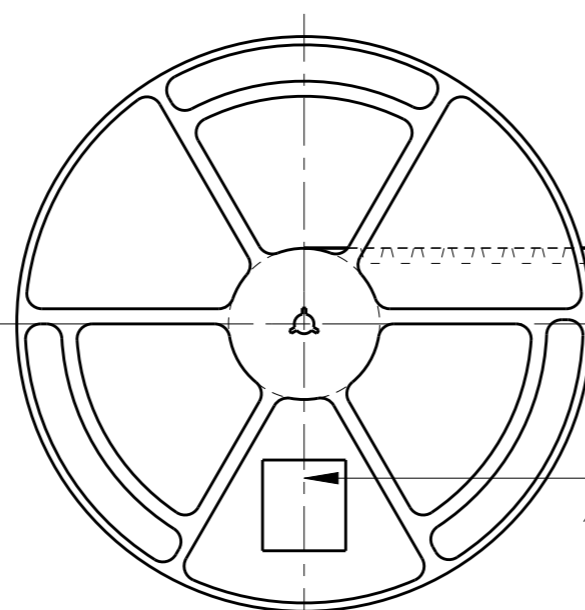
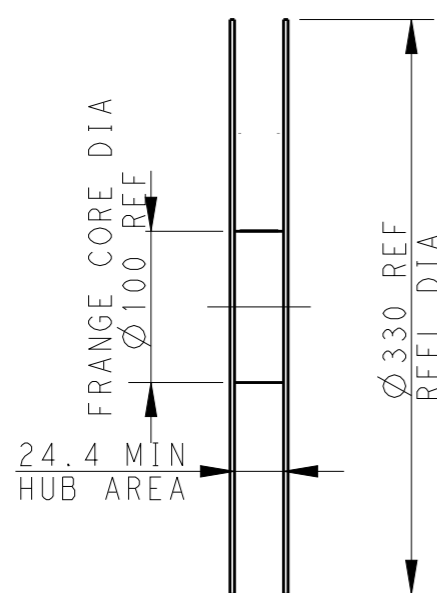


NOTE:

1. PACKAGE SPECIFIED PER EIA-481 UNLESS OTHERWISE.
2. EMBOSS: ANTISTATIC MATERIAL, COLOR: TRANSPARENT
3. COVER: ANTISTATIC MATERIAL, COLOR: TRANSPARENT AND COVER TYPE IS THERMO-COMPRESSON SEALING.
4. USER DIRECTION OF UNREELING.

SECTION A-A

SECTION B-B



USER PULL OUT DIRECTION →

WITHOUT CHARGE 15PCS REF    WITH PRODUCT CHARGE 800PCS    WITHOUT CHARGE 10PCS REF

30.4 REF REEL WIDTH

THIS DRAWING IS A CONTROLLED DOCUMENT.

DIMENSIONS: mm

TOLERANCES UNLESS OTHERWISE SPECIFIED:

0 PLC	±0.5
1 PLC	±0.25
2 PLC	±0.25
3 PLC	±0.25
4 PLC	±0.25
ANGLES	±3°

MATERIAL

FINISH

DWN 12-DEC-2016

SOLDIER ZHANG

CHK 12-DEC-2016

HAPYE WU

APVD 12-DEC-2016

HAPYE WU

PRODUCT SPEC 108-115129-2

APPLICATION SPEC

501-115141-2

WEIGHT

CUSTOMER DRAWING



TE Connectivity

NAME TYPE C RECEPTACLE ON BOARD

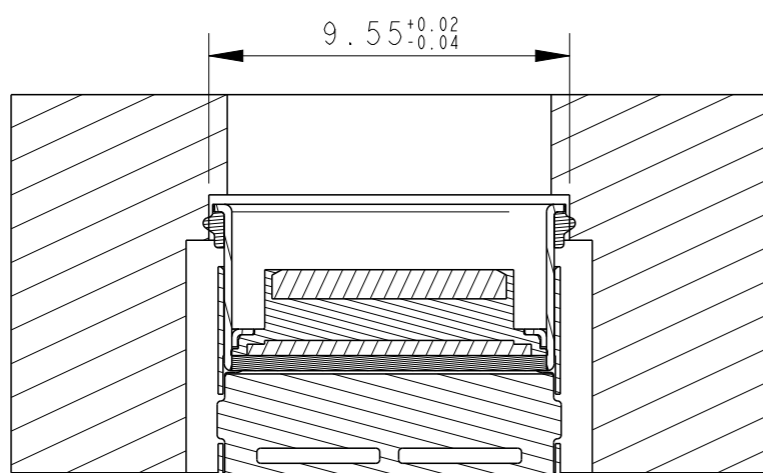
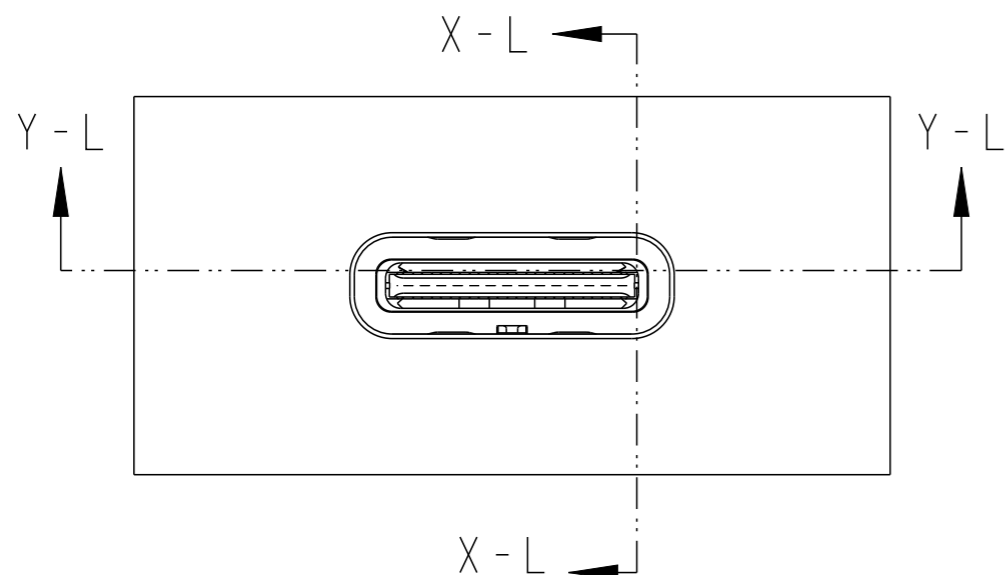
SIZE A3 CAGE CODE - DRAWING NO C-2305018 RESTRICTED TO -

SCALE NA SHEET 5 OF 6 REV A2

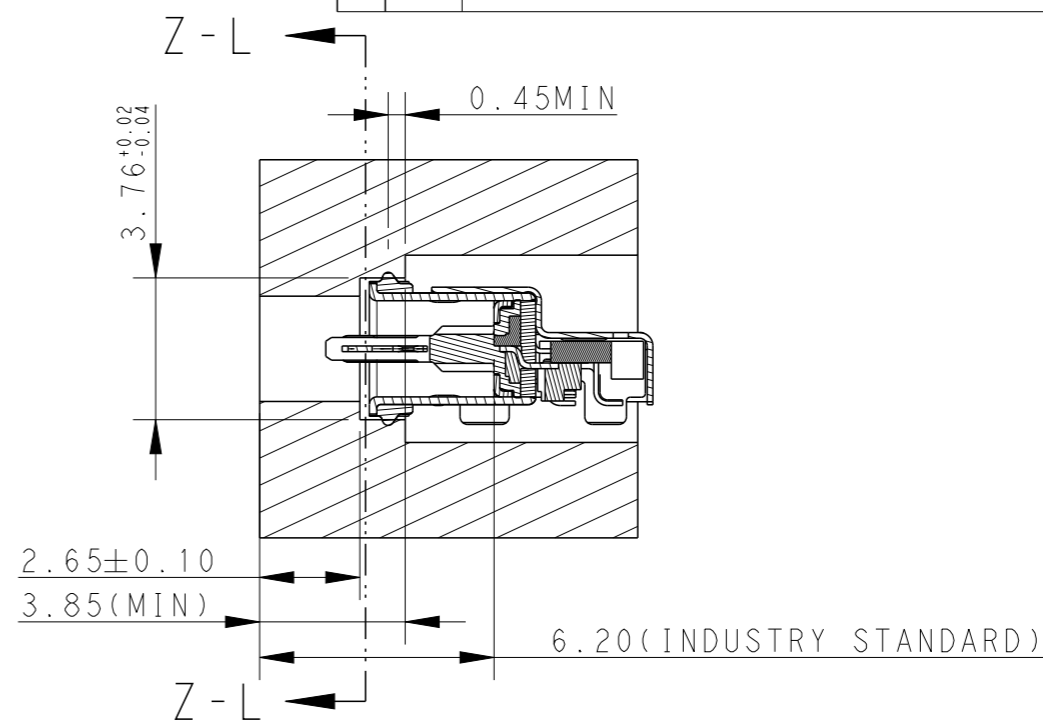
REVISIONS

P	LTR	DESCRIPTION	DATE	DWN	APVD
-	-	SEE SHEET 1	-	-	-

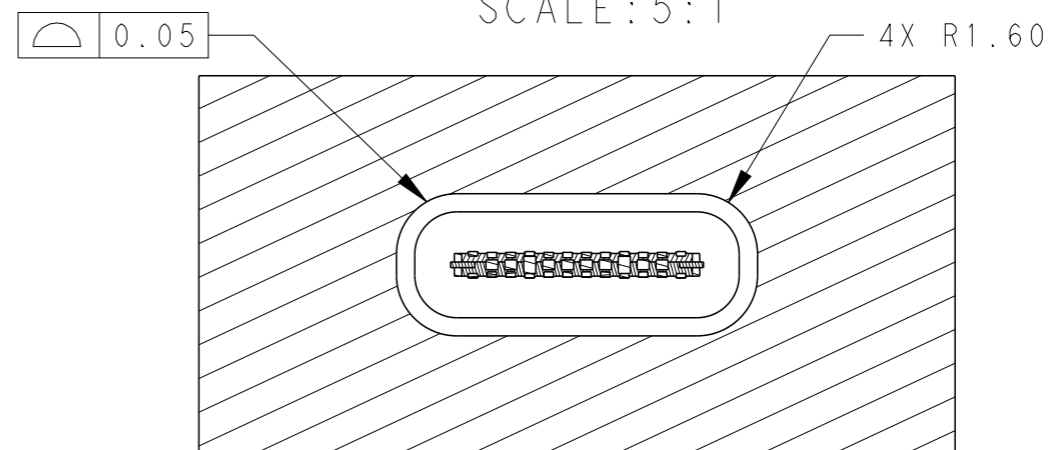
RECOMMENDED OPENING DIMENSIONS OF CASE MATING AREA WITH SEALING RING




SECTION Y-L  
SCALE: 5:1



SECTION X-L  
SCALE: 5:1



SECTION Z-L  
SCALE: 5:1

THIS DRAWING IS A CONTROLLED DOCUMENT.		DWN SOLDIER ZHANG 27-AUG-2018	 TE Connectivity		
DIMENSIONS: mm		CHK SIMON LI 27-AUG-2018			
TOLERANCES UNLESS OTHERWISE SPECIFIED:		APVD SIMON LI 27-AUG-2018	NAME TYPE C RECEPTACLE ON BOARD		
0 PLC ±0.5 1 PLC ±0.25 2 PLC ±0.25 3 PLC ±0.25 4 PLC ±0.25 ANGLES ±3°		PRODUCT SPEC 108-115129-2	RESTRICTED TO		
MATERIAL		APPLICATION SPEC 501-115141-2	SIZE A3	CAGE CODE -	DRAWING NO C-2305018
FINISH		WEIGHT -	SCALE 6:1		SHEET 6 OF 6
-		CUSTOMER DRAWING	REV A2		

单击下面可查看定价，库存，交付和生命周期等信息

[>>TE Connectivity\(泰科\)](#)