

4

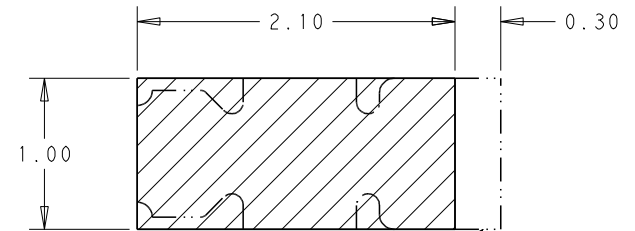
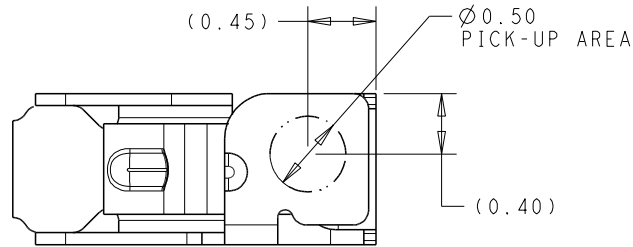
3

2

1

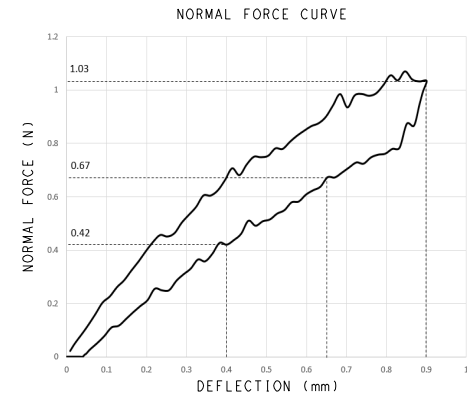
THIS DRAWING IS UNPUBLISHED. RELEASED FOR PUBLICATION 20
 © COPYRIGHT 20 BY - ALL RIGHTS RESERVED.

REVISIONS				
P	LTR	DESCRIPTION	DATE	APVD
	A	REVISED	09APR2017	J. J. W. H.

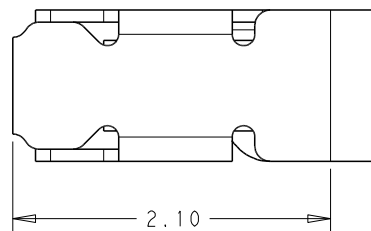
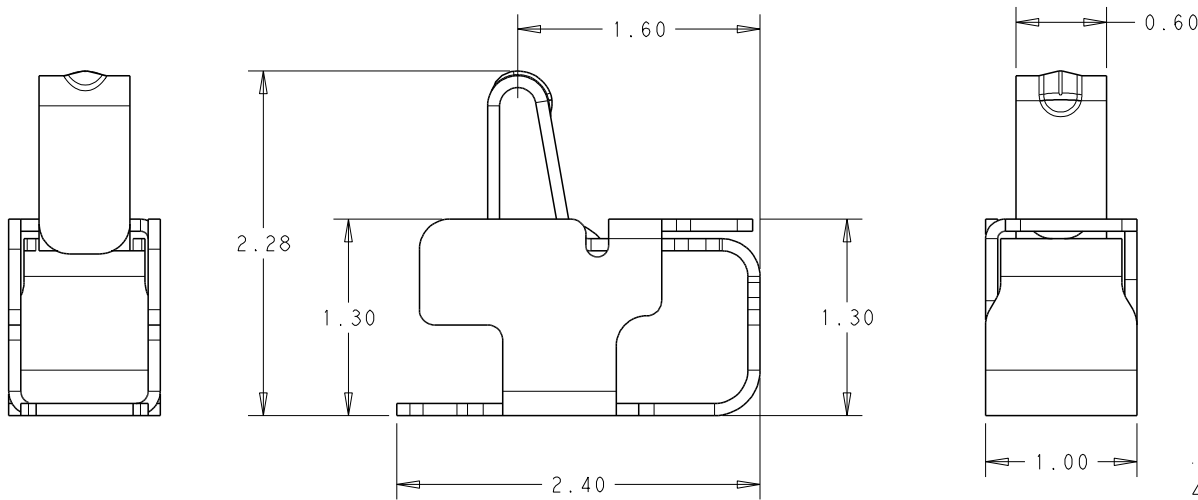


PRODUCT PROFILE

REFERENCE PCB LAYOUT TOLERANCE ±0.05



- 1 PART NUMBER: 2306454-3
- 2 MATERIAL: STAINLESS STEEL, THICKNESS=0.08MM.
- 3 PLATING: 2um MIN. NICKEL UNDERLAYER ALL OVER
0.10um MIN. GOLD ON CONTACT SURFACE
GOLD FLASH ON SOLDERING SURFACE
- 4 PICK AND PLACE SURFACE Ø0.5MM.
- 5 WORKING RANGE 1.65±0.25mm.



THIS DRAWING IS A CONTROLLED DOCUMENT.

DIMENSIONS: mm	TOLERANCES UNLESS OTHERWISE SPECIFIED: ±0.2
	0-PLC ±
	1-PLC ±0.1
	2-PLC ±0.01
	3-PLC ±0.001
	4-PLC ±0.0001
	ANGLES ±

MATERIAL SEE NOTE
 FINISH SEE NOTE

DWN	JONE JI	03JUL2016
CHK	Wenke He	03JUL2016
APVD	Wenke He	03JUL2016
PRODUCT SPEC	108-115120	
APPLICATION SPEC		
WEIGHT		

STE TE Connectivity

NAME			SPRING FINGER 2.3H		
SIZE	CAGE CODE	DRAWING NO	RESTRICTED TO		
A3	-	C=2306454			

CUSTOMER DRAWING	SCALE 1:1	SHEET 1 OF 2	REV A
------------------	-----------	--------------	-------

THIS DRAWING IS UNPUBLISHED.

RELEASED FOR PUBLICATION

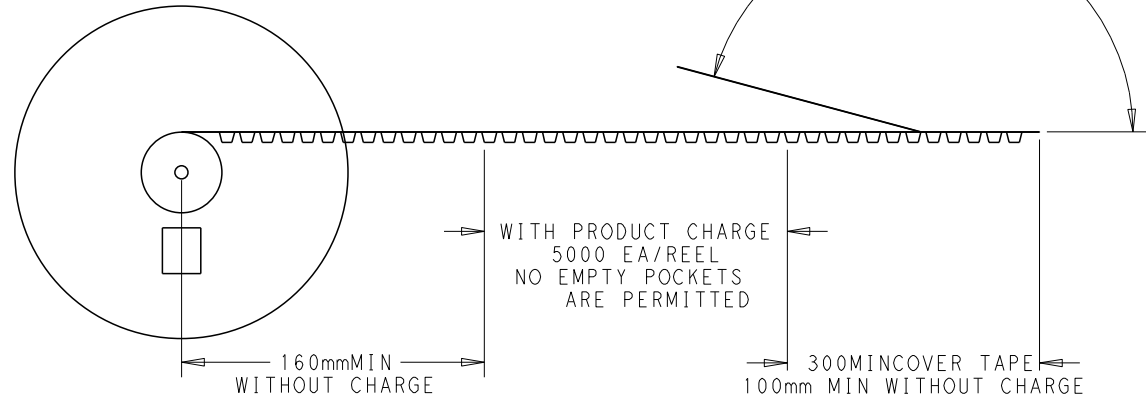
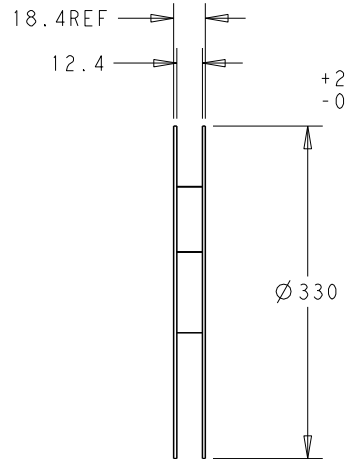
04MAR2004

© COPYRIGHT 04MAR2004 BY -

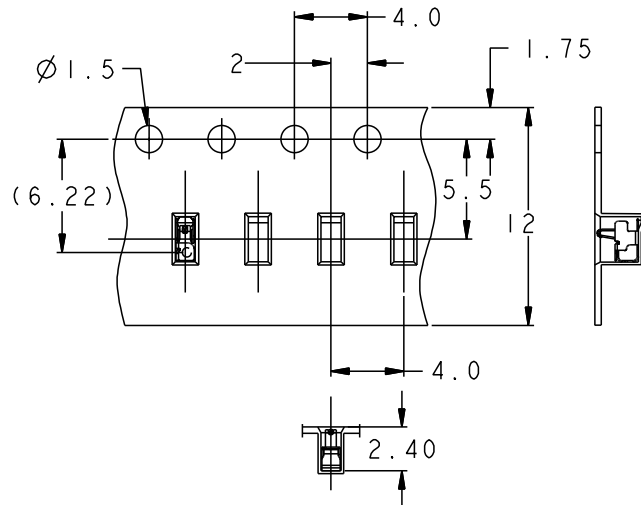
ALL RIGHTS RESERVED.

REVISIONS

P	LTR	DESCRIPTION	DATE	DWN	APVD



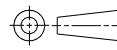
→ DIRECTION OF TOP OF REEL



PACKAGE FOR REFERENCE

THIS DRAWING IS A CONTROLLED DOCUMENT.

DIMENSIONS:
mm



MATERIAL
SEE NOTE

TOLERANCES UNLESS OTHERWISE SPECIFIED:
± 0.2

0-PLC	±
1-PLC	±0.1
2-PLC	±0.01
3-PLC	±0.001
4-PLC	±0.0001
ANGLES	±

FINISH
SEE NOTE

DWN JONE JI 12JUL2016
CHK WENKE HE 12JUL2016
APVD WENKE HE 12JUL2016

PRODUCT SPEC
APPLICATION SPEC

WEIGHT -

CUSTOMER DRAWING

NAME

SPRING FINGER 2.3H

SIZE

A3

CAGE CODE

-

DRAWING NO

©=2306454



TE Connectivity

RESTRICTED TO

SCALE 1:5 SHEET 2 OF 2 REV A

单击下面可查看定价，库存，交付和生命周期等信息

[>>TE Connectivity\(泰科\)](#)