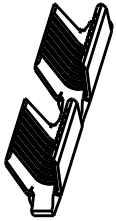
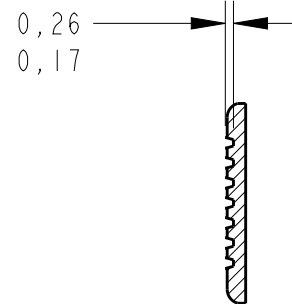
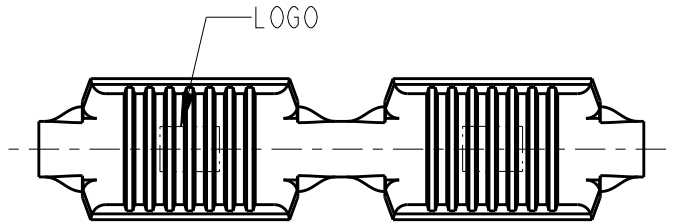


REVISIONS

| P | LTR | DESCRIPTION                      | DATE       | DWN | APVD |
|---|-----|----------------------------------|------------|-----|------|
|   | T4  | REDRAWN AND REV. BY ECO16-005110 | 12JULY2016 | HC  | WLS  |
|   | T5  | REVISED BY ECO 16-010925         | 25JULY2016 | HC  | WLS  |
|   |     |                                  |            |     |      |

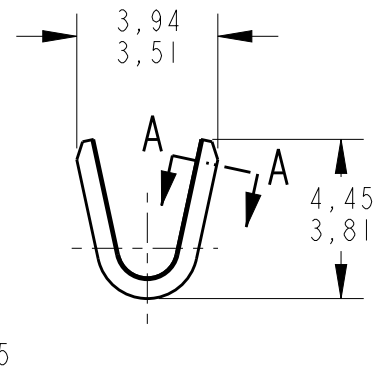
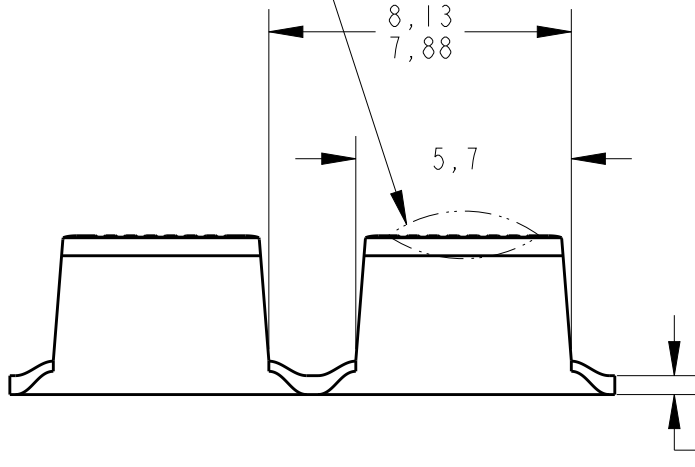


SCALE 2:1



SECTION A-A

SMALL DISTORTION PERMITTED



0,50±0,05

- ① - NOT FOR USE WITH ALUMINUM MAGNET WIRE, USE WITH COPPER MAGNET WIRE ONLY.
- ② - PACKAGING 20.000 PCS/REEL WITH PAPER INTERLEAVE - 3 REELS/BOX.

WIRE RANGE  
1500-5000 CMA

|            |          |             |   |   |
|------------|----------|-------------|---|---|
| —          | BRASS    | 1-280002-1  | ② | ① |
| TIN PLATED | BRASS    | 280002-2    |   |   |
| —          | BRASS    | 280002-1    | ① |   |
| FINISH     | MATERIAL | PART NUMBER |   |   |

RELEASED FOR PUBLICATION

ALL RIGHTS RESERVED.

THIS DRAWING IS UNPUBLISHED.

© COPYRIGHT copyright\_dBTe

|  |  |                                    |                         |                |                        |
|--|--|------------------------------------|-------------------------|----------------|------------------------|
| DIMENSIONS:<br>mm                      |  | DWN<br>H.C. CANTERI<br>21 JAN 2015 | MATERIAL<br>-           |                | FINISH<br>-            |
| TOLERANCES UNLESS OTHERWISE SPECIFIED: |  | CHK<br>W.L. STEFANI<br>21 JAN 2015 |                         |                |                        |
| 0 PLC ±-                               |  | APVD<br>-                          |                         |                |                        |
| 1 PLC ±0,4                             |  | PRODUCT SPEC<br>-                  | NAME<br>AMPLIVAR SPLICE |                |                        |
| 2 PLC ±-                               |  | APPLICATION SPEC<br>-              | SIZE<br>A4              | CAGE CODE<br>- | DRAWING NO<br>C-280002 |
| 3 PLC ±-                               |  | WEIGHT<br>-                        | RESTRICTED TO<br>-      |                |                        |
| 4 PLC ±-                               |  |                                    | SCALE 5:1               |                |                        |
| ANGLES ±-                              |  |                                    | SHEET 1 OF 1            |                |                        |
|  |  | CUSTOMER DRAWING                   | REV T5                  |                |                        |

单击下面可查看定价，库存，交付和生命周期等信息

[>>TE Connectivity\(泰科\)](#)