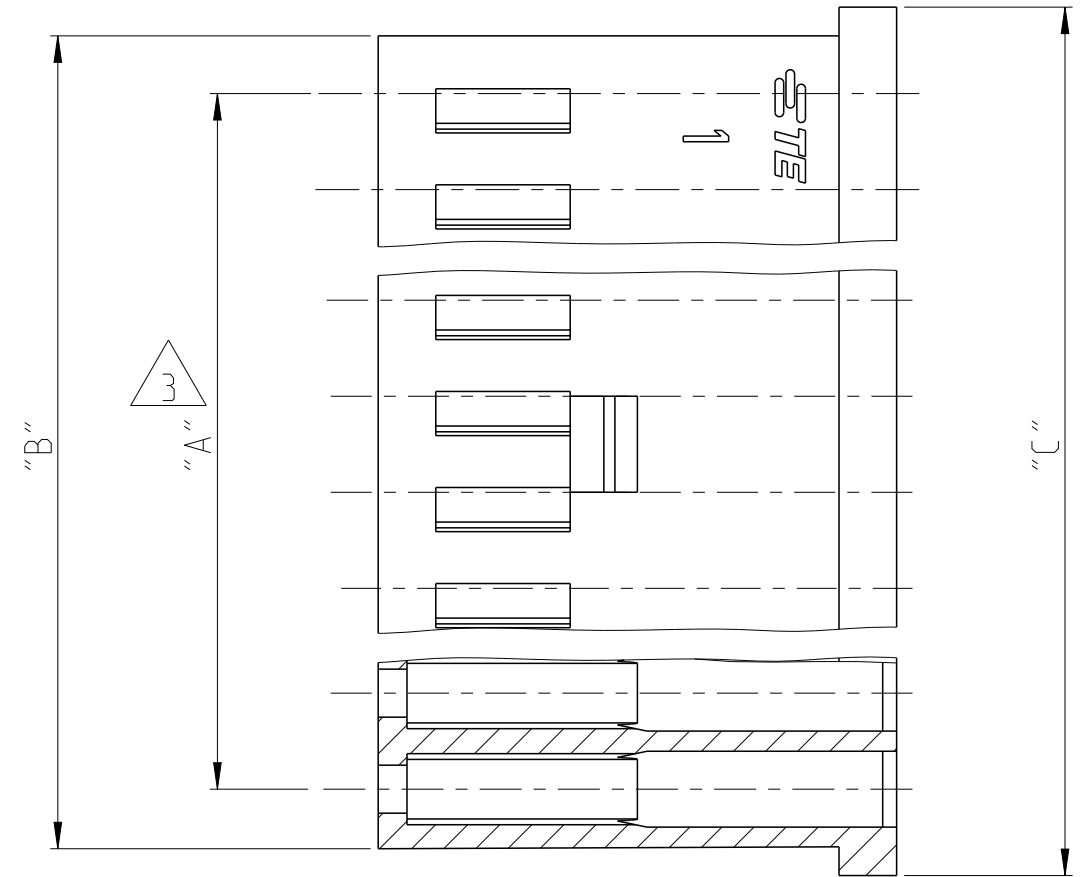
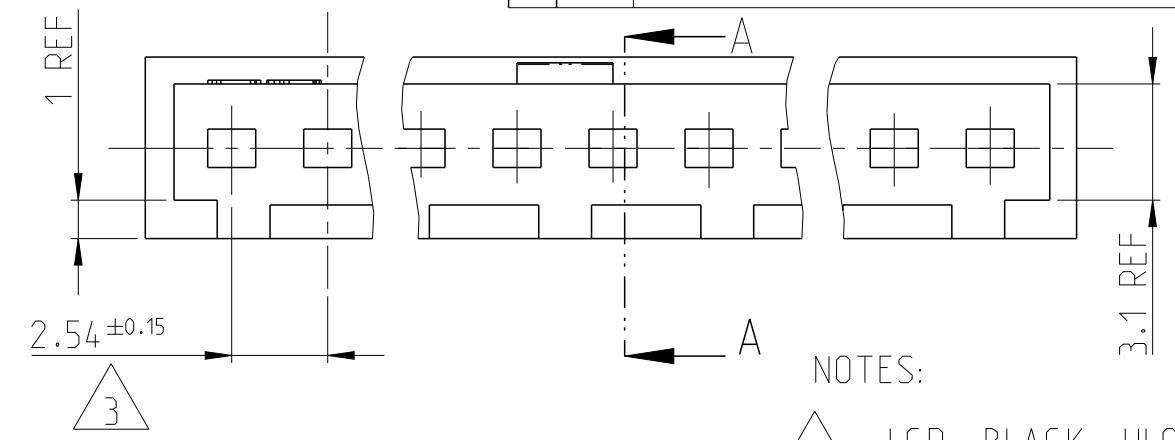
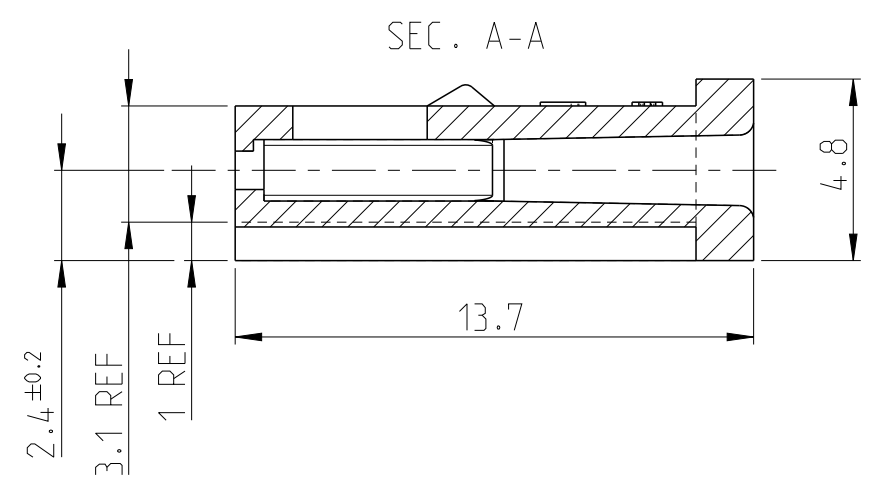


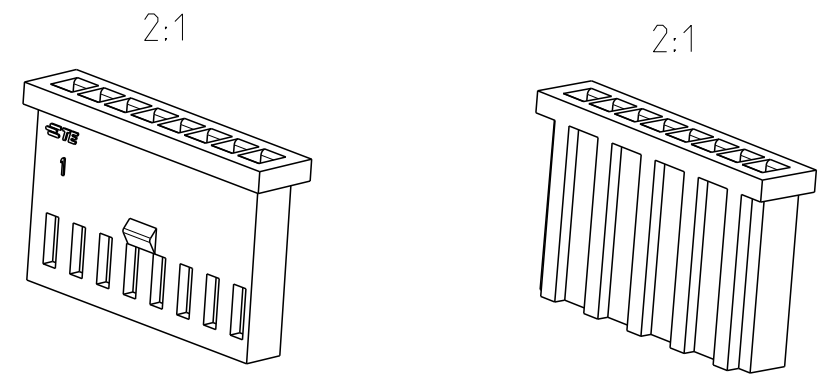
THIS DRAWING IS UNPUBLISHED. RELEASED FOR PUBLICATION 20  
 © COPYRIGHT 20 BY - ALL RIGHTS RESERVED.


REVISIONS					
P	LTR	DESCRIPTION	DATE	DWN	APVD
	Z	MATERIAL CHANGE TO LCP	15OCT2018	KJK	PS



- NOTES:
- 1 LCP, BLACK, UL94V-0
  - 2 NORYL SE-1 RED COLOUR
  - 3 NON CUMULATIVE TOLERANCE
  - 4 PERMITTED FLASH 0.25mm MAX

NUM OF POS.	PART NUMBER	DIM "A"	DIM "B"	DIM "C"	MATERIAL (SEE NOTE)
4	1-280359-0	7.62	10.6	12.2	1
2	1-280358-0	2.54	5.6	7.1	
22	280364	53.34	56.4	57.9	
15	280363	35.56	38.6	40.1	
12	280514	27.94	31.0	32.5	
10	280362	22.86	25.9	27.4	
9	280512	20.32	23.3	24.9	
8	280361	17.78	20.8	22.3	
6	280360	12.70	15.7	17.3	
4	280359	7.62	10.6	12.2	
2	280358	2.54	5.6	7.1	2



THIS DRAWING IS A CONTROLLED DOCUMENT.		DWN KARTHIK 20MAR2018	 TE Connectivity
DIMENSIONS: mm		CHK SHARATH S 15OCT2018	
TOLERANCES UNLESS OTHERWISE SPECIFIED: ±0.3		APVD PRASHANTH S 15OCT2018	
0 PLC ± 1 PLC ± 2 PLC ± 3 PLC ± 4 PLC ± ANGLES ±2° MATERIAL - FINISH -		NAME AMPMODU II REC. HSG SINGLE ROW, CRIMP ON- SNAP IN PRODUCT SPEC 108-20025 APPLICATION SPEC 114-20004 WEIGHT -	
MATERIAL - FINISH -		SIZE A3	CAGE CODE 00779
CUSTOMER DRAWING		DRAWING NO. C-280358	RESTRICTED TO -
		SCALE 5:1	SHEET 1 OF 1
			REV Z

单击下面可查看定价，库存，交付和生命周期等信息

[>>TE Connectivity\(泰科\)](#)