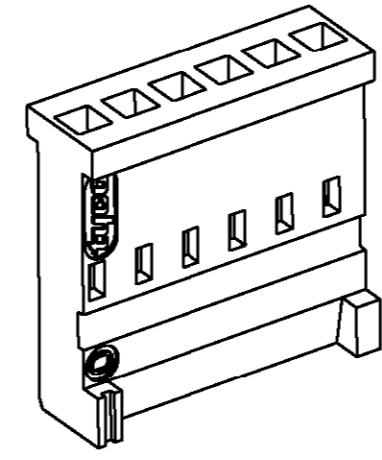
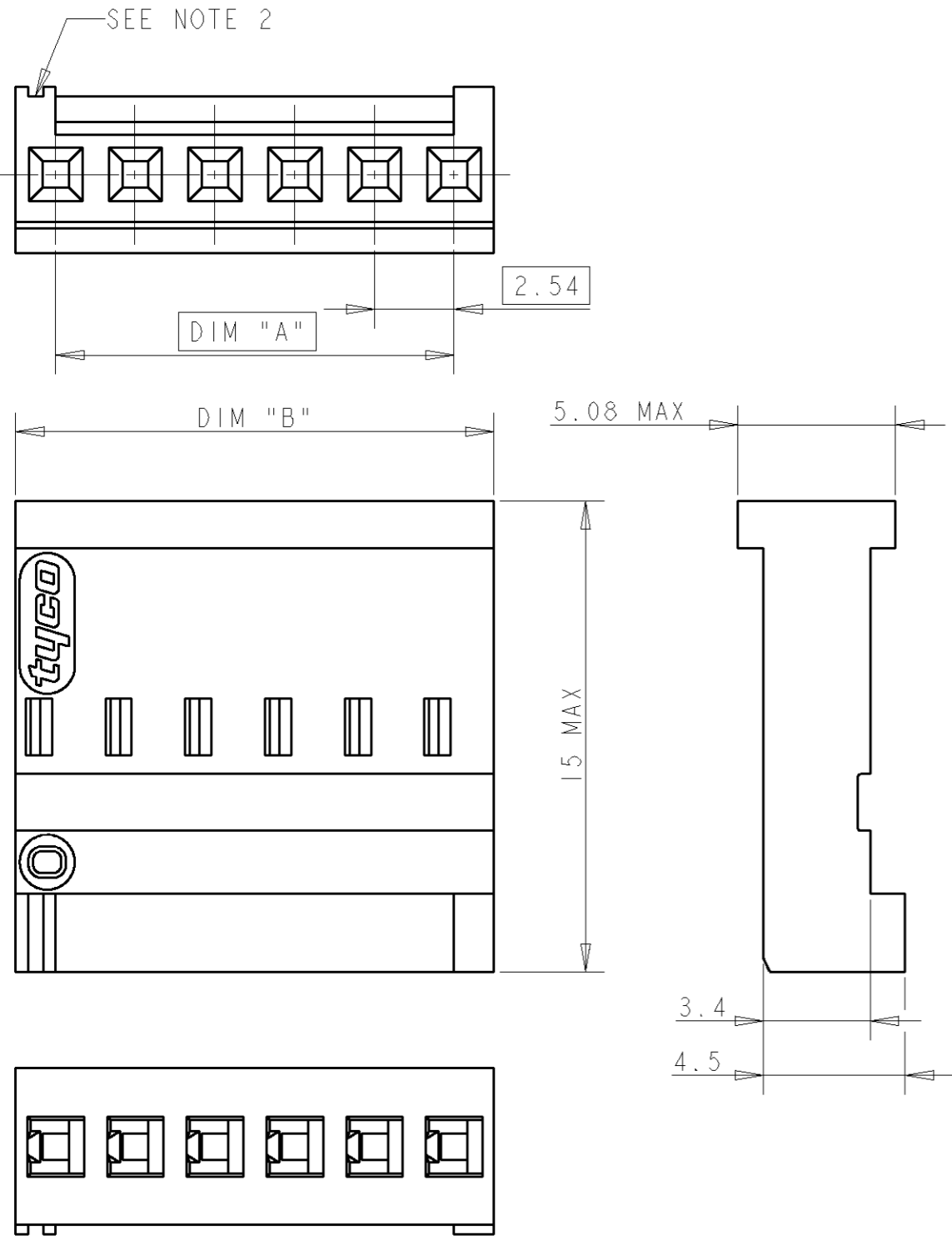


THIS DRAWING IS UNPUBLISHED.  
 DIFFUSION RESTREINTE  
 © COPYRIGHT

RELEASED FOR PUBLICATION  
 LIBRE A LA DIFFUSION  
 ALL RIGHTS RESERVED.  
 TOUS DROITS RESERVES

LOC	DIST	REVISIONS					
F	00	P	LTR REV	DESCRIPTION MODIFICATIONS	DATE	DWN DESS.	APVD APP.
		B1		REVISED PER ECO-11-005150	19APR11	RK	HMR



SCALE 3:1

45.72	43.18	18	1-281838-8
38.10	35.56	15	1-281838-5
35.56	33.02	14	1-281838-4
30.48	27.94	12	1-281838-2
25.40	22.86	10	1-281838-0
22.86	20.32	9	0-281838-9
20.32	17.78	8	0-281838-8
17.78	15.24	7	0-281838-7
15.24	12.70	6	0-281838-6
12.70	10.16	5	0-281838-5
10.16	7.62	4	0-281838-4
7.62	5.08	3	0-281838-3
DIM "B"	DIM "A"	NR OF POS.	TE CONNECTIVITY PART NO

NOTES:

- MATERIAL DESCRIPTION: GLASS FILLED PBT, UL 94-V0, COLOR BLUE
- IDENTIFICATION OF CONTACT CAVITY NR 1
- PRODUCT ACCORDING TO IEC 603-8
- ACCEPTS CRIMP CONTACTS 188746-1 OR 188744-1

DIMENSIONS: mm 		TOLERANCES UNLESS OTHERWISE SPECIFIED: TOLERANCES NON SPECIFIEES (SUIV NB DE DECIMALES): 0 PLC/DEC: ±0.2 1 PLC/DEC: ±0.2 2 PLC/DEC: ±0.2 3 PLC/DEC: ± 4 PLC/DEC: ± ANGLES ±1°		DWN/DESSINE 18JUL2003 T. CORRIOU CHK/VERIFIE 18JUL2003 Y. PETRONIN APVD/APPROUVE 18JUL2003 M. FURIO		TE Connectivity	
MATERIAL /MATIERE		FINISH /FINITION		PRODUCT SPEC SPEC. PRODUIT APPLICATION SPEC SPEC. APPLICATION		NAME TITRE SINGLE ROW HOUSING FOR HE 13-14 COSI CONTACT	
				WEIGHT MASSE APPROX. -		SIZE FORMAT A3 CAGE CODE 00779 DRAWING NO No PLAN C=281838	
CUSTOMER DRAWING /PLAN CLIENT				UNTOUEMENT POUR REFERENCE		SCALE ECHELLE 5:1	
						SHEET FEUILLE OF DE REV B1	

单击下面可查看定价，库存，交付和生命周期等信息

[>>TE Connectivity\(泰科\)](#)