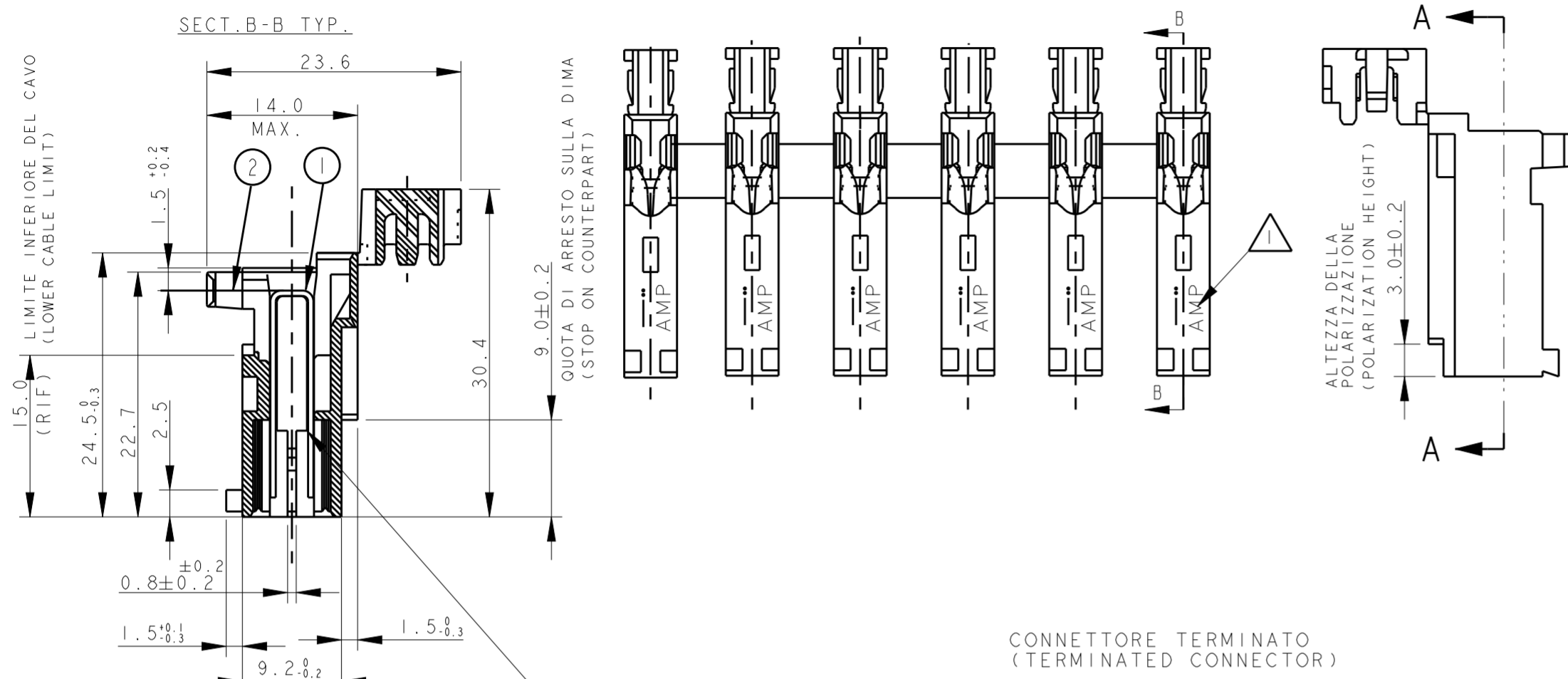
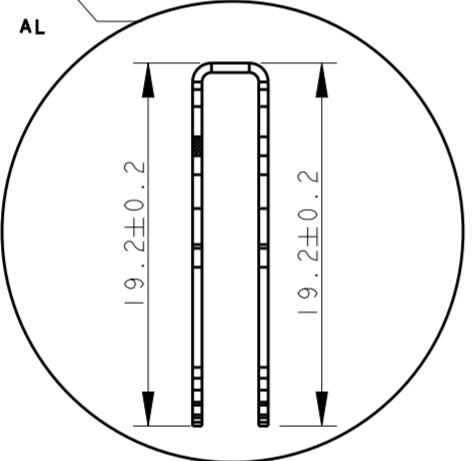


THIS DRAWING IS UNPUBLISHED. RELEASED FOR PUBLICATION 20  
 © COPYRIGHT 20 ALL RIGHTS RESERVED.

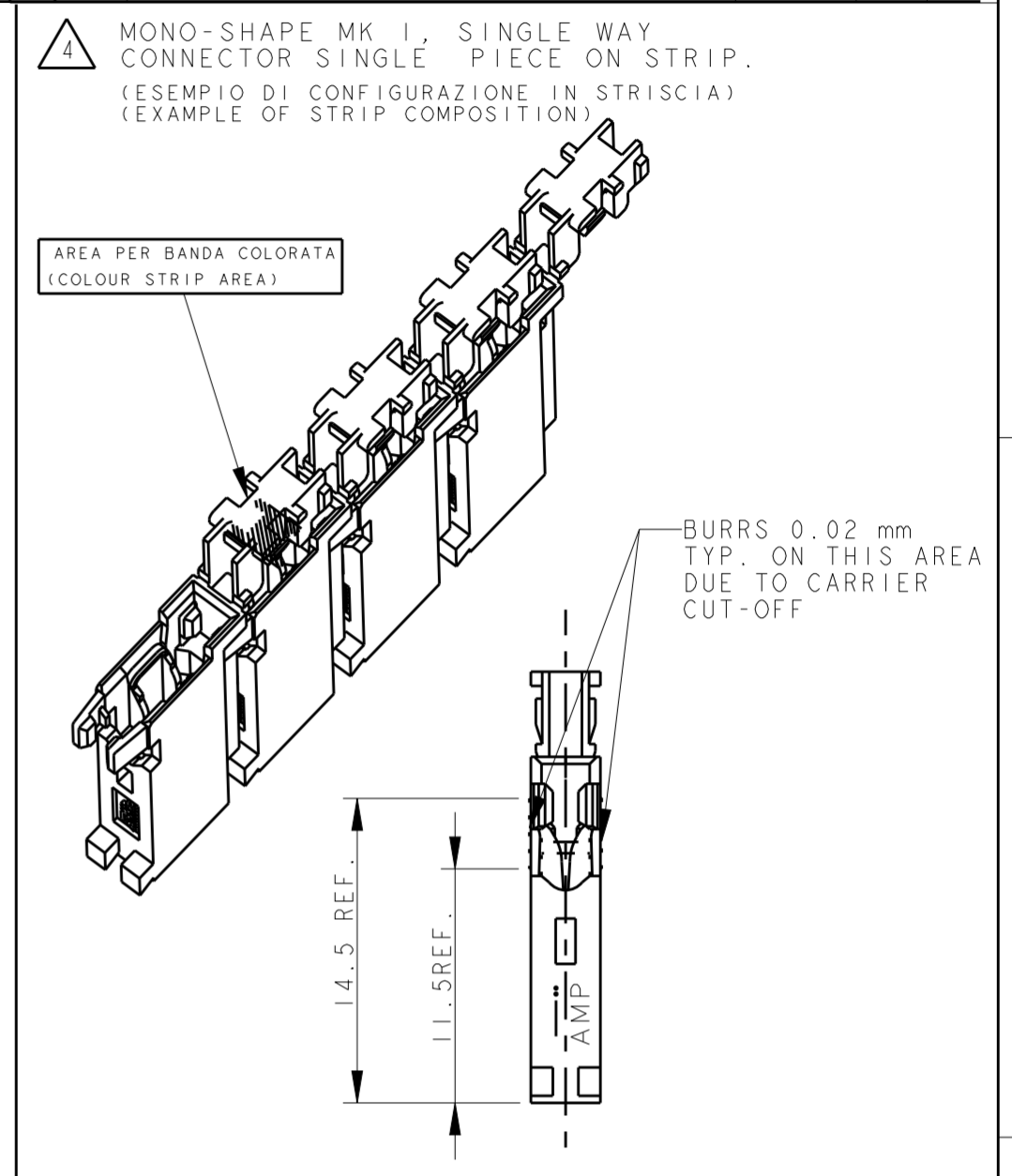
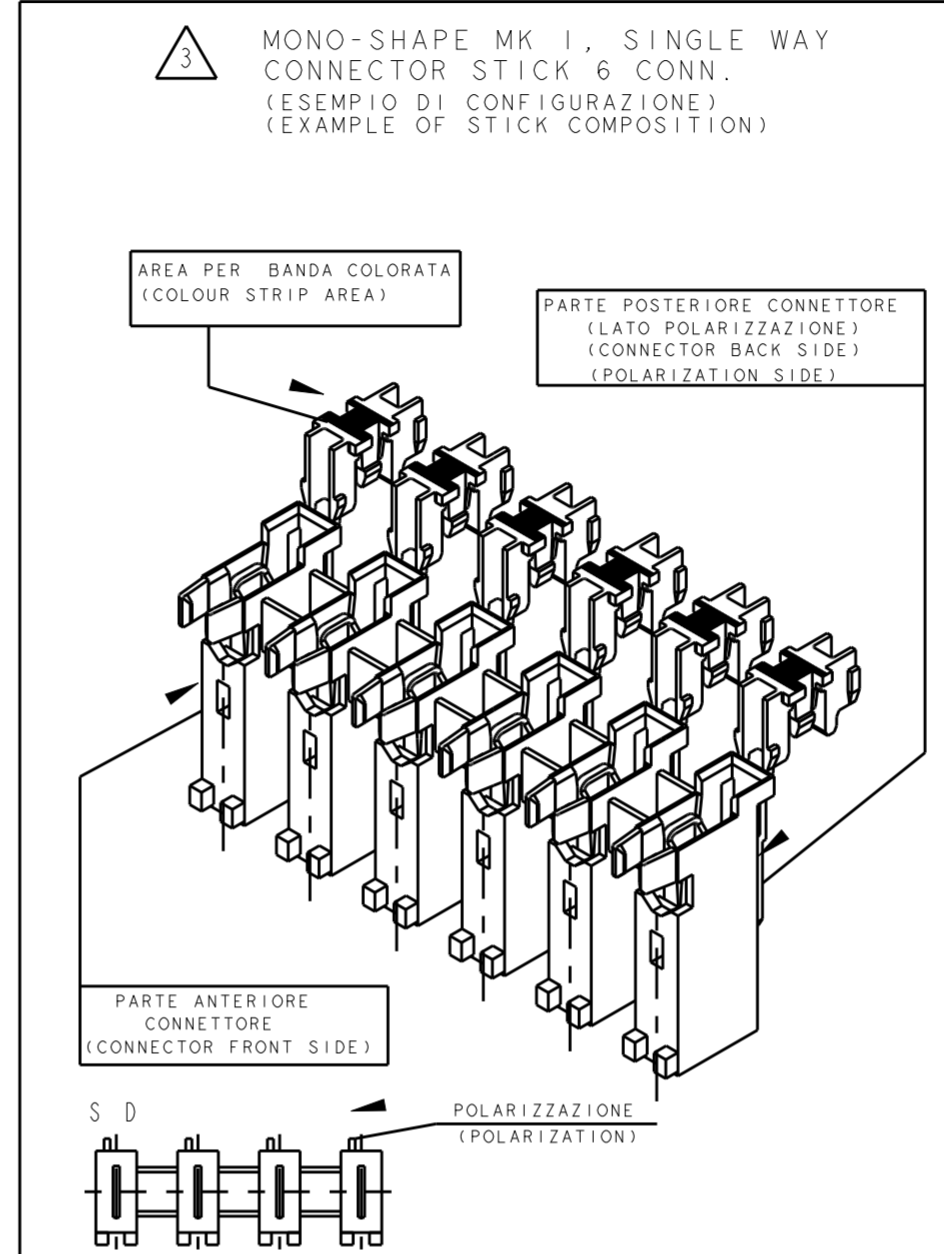
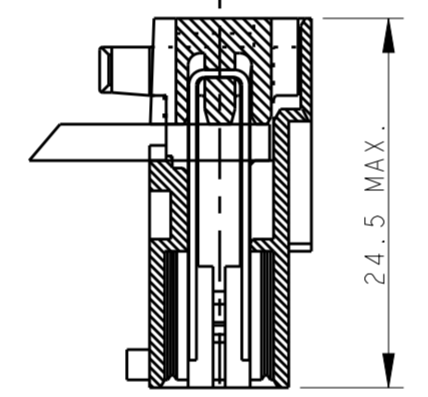
LOC		DIST		REVISIONS			
P	LTR	DESCRIPTION	DATE	DWN	APVD		
H6	ECR-15-005877		15APR2015	KD	RR		
H7	ECR-17-002850		08MAR2017	IZ	RR		
H8	ECR-17-010648		31JUL2017	JP	RR		
H9	ECR-18-007788		22MAY2018	MD	FL		



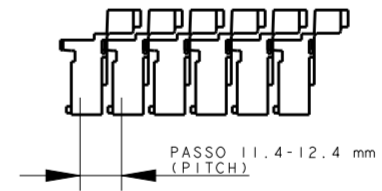
DETTAGLIO DEL CONTATTO, DIMENSIONI RIFERITE AL COMPONENTE INSERITO IN CAVITÀ (ENLARGED VIEW OF TAB CONTACT DIM. REFERRED TO CONTACT INSERTED IN THE HOUSING CAVITY)



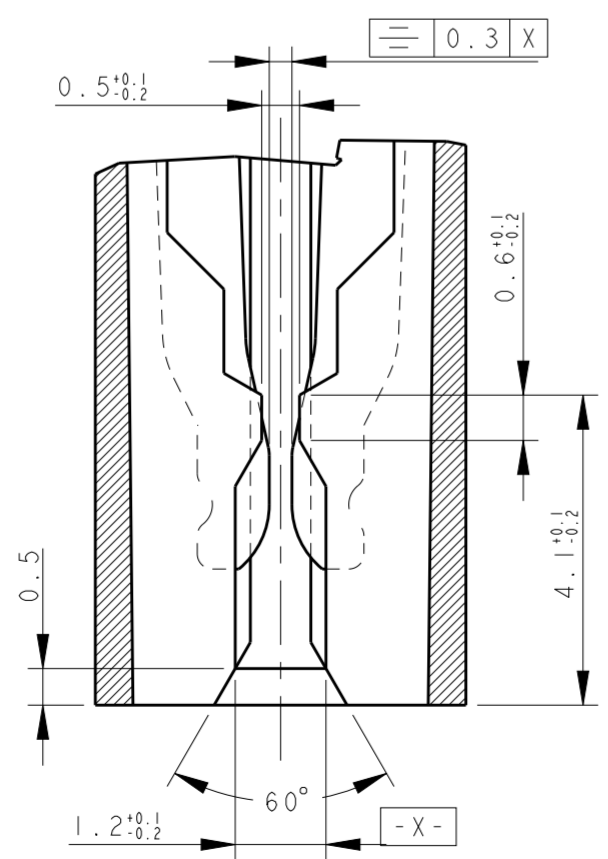
CONNETTORE TERMINATO (TERMINATED CONNECTOR)



- 1 MARCHIO DI FABBRICA. (TRADEMARK)
- 2 NON ANCORA RILASCIATO IN PRODUZIONE (NOT YET RELEASED FOR PRODUCTION)
- 3 STATO DI FORNITURA: CONFEZIONAMENTO STICK DI 6 CONNETTORI IN VASSOI + SCATOLA (PACKAGING: "6 CONNECTOR STICK VERSION, ON TRAY PLUS CARTON BOX")



- 4 CONFEZIONAMENTO IN STRISCIA DI CONNETTORI SINGOLI IN VASSOI+SCATOLA (PACKAGING: SINGLE CONNECTOR IN STRIP, ON TRAY PLUS CARTON BOX)
- 5) APPROVAZIONE VDE, FILE N. 3905 (VDE APPROVAL, FILE N. 3905)



SECTION A-A SCALE 10:1

ITEM	DENOMINAZIONE	FINITURA / COLORE (FINISH / COLOUR)	MATERIALE (MATERIAL)	DIAM. ISOLANTE (INS. DIA. RANGE)	RANGO FILO (WIRE RANGE)
2	BLOCCETTO (HOUSING)	NATURALE (NATURAL)	POLIAMIDE 6.6 20%C.vetro (PA 6.6 Glassfiber Filled)	3.0 mm	0.5-1.5 mm <sup>2</sup>
1	CONTATTO (CONTACT)	STAGNATO (TIN-PLATED)	OTTONE (BRASS)		

THIS DRAWING IS A CONTROLLED DOCUMENT.

DIMENSIONS: mm	TOLERANCES UNLESS OTHERWISE SPECIFIED:	DWN G. ENDRIZZI 23JULY97	CHK G. VIGNOLI 23JULY97	APVD G. TURCO 23JULY97	NAME
0 PLC ±.3	1 PLC ±	2 PLC ±	3 PLC ±	4 PLC ±	ANGLES ±2
MATERIAL SEE TABLE	FINISH SEE TABLE	PRODUCT SPEC 108-20065	APPLICATION SPEC 114-20017	WEIGHT -	SIZE A2
CUSTOMER DRAWING		SCALE NO		SHEET 1 OF 2	

**STE** TE Connectivity

MONO SHAPE MK I SINGLE WAY CONN. ASSEMBLY

RESTRICTED TO

REV H9

THIS DRAWING IS UNPUBLISHED. RELEASED FOR PUBLICATION 20  
 © COPYRIGHT 20 ALL RIGHTS RESERVED.

LOC		DIST		REVISIONS			
P	LTR	SEE SHEET 1	DESCRIPTION	DATE	DWN	APVD	
-	-						

NO. OF POSITION	CONFIGURATION (VIEW FROM THE TOP)	CONNECT. PART NUMBER (STICK VERSION 6 CONN.)	PART REV.	POLARIZ. POSITION BACK SIDE	STRIP COLOR CODE
6 X 1		2293382-1	H	-	-

NO. OF POSITION	CONFIGURATION (VIEW FROM THE TOP)	CONNECT. PART NUMBER (STICK VERSION 6 CONN.)	PART REV.	POLARIZ. POSITION BACK SIDE	STRIP COLOR CODE
6 X 1		4-282086-1	A	-	-
6 X 1		4-282086-2	A	IS	BLACK
6 X 1		4-282086-3	A	ID	ORANGE

NUMERO DI VIE (NO. OF POSITION)	CONFIGURAZIONE (VISTA DALL'ALTO) CONFIGURATION (VIEW FROM THE TOP)	CODICE CONNETTORE (CONNECT. PART NUMBER) VERSIONE IN STICK 6 CONN. (STICK VERSION 6 CONN.)	PART REV.	POSIZIONE POLARIZ. (LATO POSTERIORE) POLARIZ. POSITION BACK SIDE	MARCHIATURA CON BANDA COLORATA STRIP COLOUR CODE
6 X 1		1-282086-1	H	-	-
		1-282086-4	H	-	VERDE (GREEN)
		1-282086-5	H	-	BLU (BLUE)
		1-282086-6	H	-	VIOLA (VIOLET)
6 X 1		1-282086-2	H	IS	NERO (BLACK)
6 X 1		1-282086-3	H	ID	ARANCIO (ORANGE)

NUMERO DI VIE (NO. OF POSITION)	CONFIGURAZIONE (VISTA DALL'ALTO) CONFIGURATION (VIEW FROM THE TOP)	CODICE CONNETTORE (CONNECT. PART NUMBER) VERSIONE PEZZO SINGOLO (SINGLE PIECE VERSION)	PART REV.	POSIZIONE POLARIZ. (LATO POSTERIORE) POLARIZ. POSITION BACK SIDE	MARCHIATURA CON BANDA COLORATA STRIP COLOUR CODE
1		1-282086-7	B	-	-
1		1-282086-8	B	IS	NERO (BLACK)
1		1-282086-9	B	ID	ARANCIO (ORANGE)

THIS DRAWING IS A CONTROLLED DOCUMENT.

DWN G. ENDRIZZI 23JULY97	 TE Connectivity	NAME	
CHK G. VIGNOLI 23JULY97		MONO SHAPE MK 1	
APVD G. TURCO 23JULY97		SINGLE WAY CONN. ASSEMBLY	
PRODUCT SPEC 108-20065		SIZE	CAGE CODE
APPLICATION SPEC 114-20017	A2	00779	C-282086
MATERIAL SEE TABLE	WEIGHT -	SCALE NO	SHEET 2 OF 2
TOLERANCES UNLESS OTHERWISE SPECIFIED:	FINISH	CUSTOMER DRAWING	REV H9

单击下面可查看定价，库存，交付和生命周期等信息

[>>TE Connectivity\(泰科\)](#)