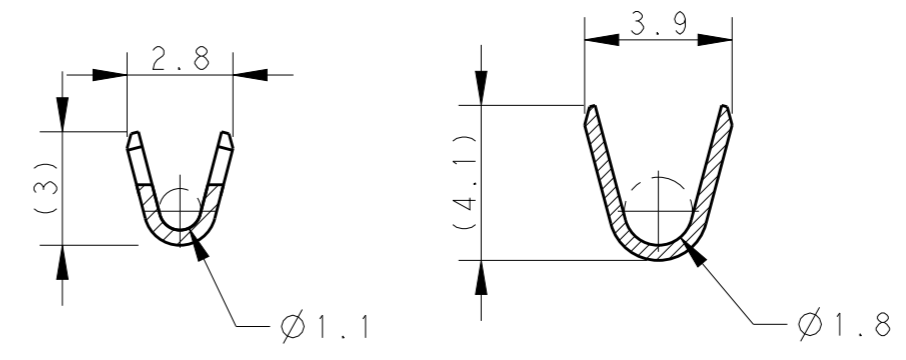
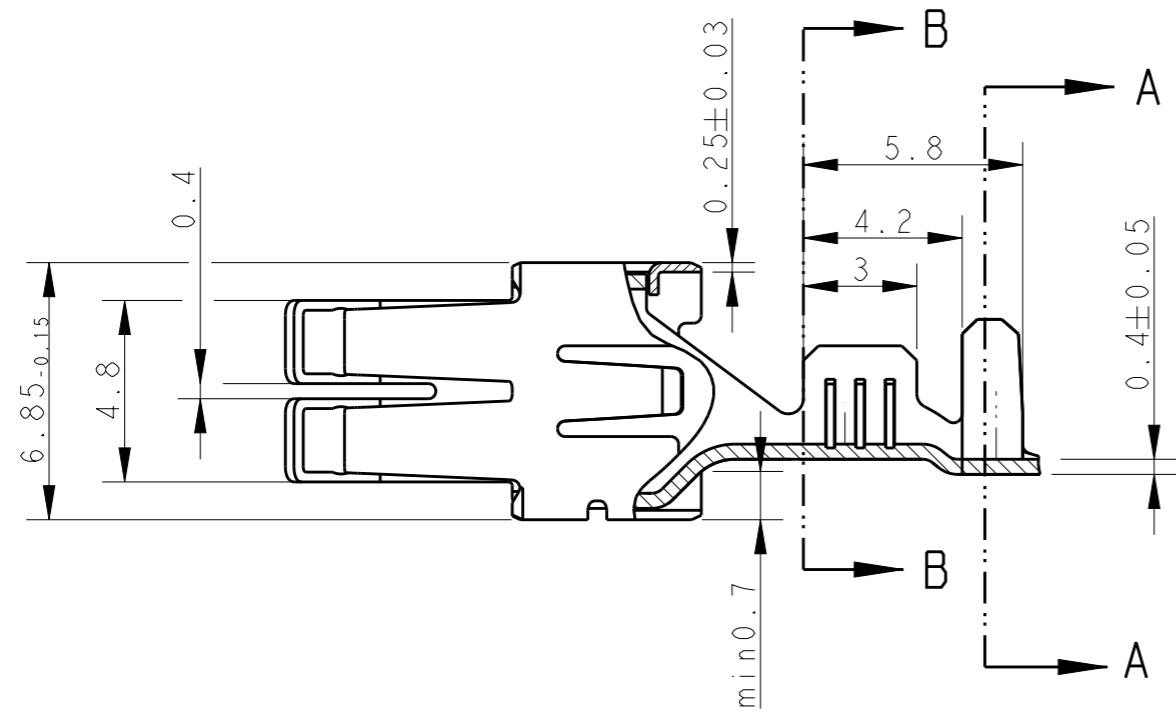
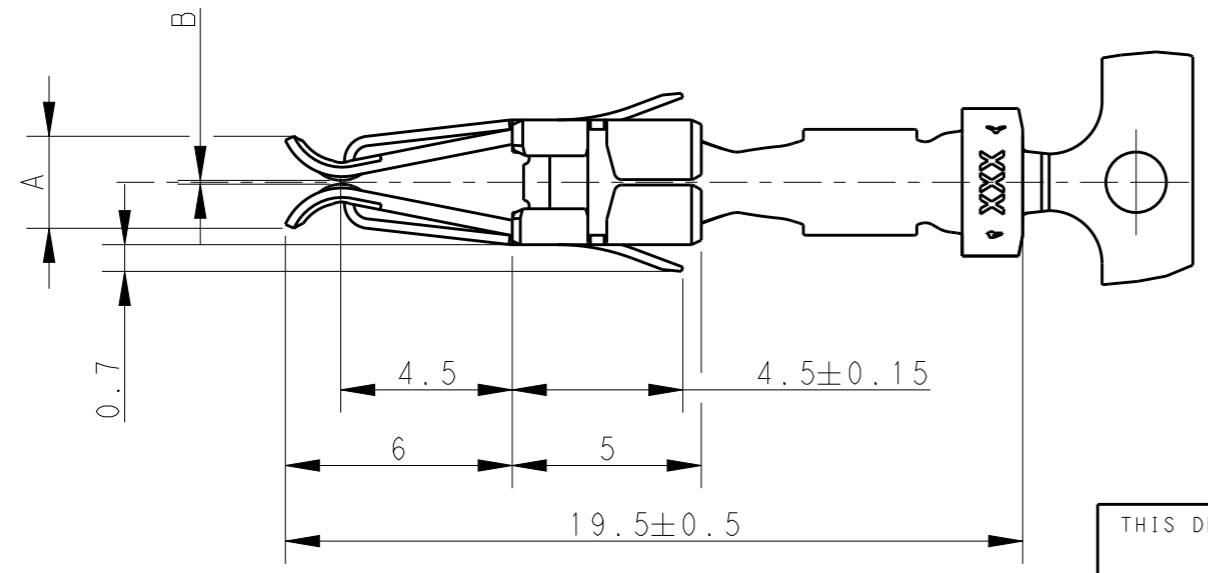


THIS DRAWING IS UNPUBLISHED. RELEASED FOR PUBLICATION 20
 © COPYRIGHT 20 BY - ALL RIGHTS RESERVED.

REVISIONS					
P	LTR	DESCRIPTION	DATE	DWN	APVD
A5		ECR-16-013486	22SEP2016	KD	RR
A6		ECR-17-008121	07JUN2017	IZ	RR
A7		ECR-18-005246	25APR2018	KD	LF
A8		ECR-19-006808	29APR2019	KD	FL




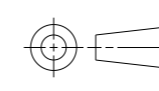
- 1 PRELIMINARY - NOT RELEASED FOR PRODUCTION
- 2 ONLY FOR 3-927827-1 & 3-927827-2, DIMENSIONS HAVE TO FOLLOW SHEET 2
 - INSULATION RANGE: Ø2.0 - 2.7
 - INSULATION BARREL DIMENSION
- 3 ONLY FOR 3-964324-1 DIMENSIONS HAVE TO FOLLOW SHEET 3
 - INSULATION RANGE: Ø1.4 - 2.1
 - INSULATION BARREL DIMENSION



0 +0.08	2.3 ±0.15	PRESILVERED	CuFe2	3-927831-5	A
0 +0.08	2.3 ±0.15	PRESILVERED	CuSn4	3-927831-4	A
0 +0.08	2.3 ±0.15	PRETINNED	CuSn4	3-927831-2	A
0 +0.08	2.3 ±0.15	PRETINNED	CuFe2	3-927831-1	A
0.2 MAX	2.5	PRETINNED	CuFe2	2825197-1	A
B	A	FINISH	MATERIAL	PN	REV

INSUL. RANGE: Ø1.4-2.1 mm
 WIRE RANGE: Ø0.5-1.0 mm²

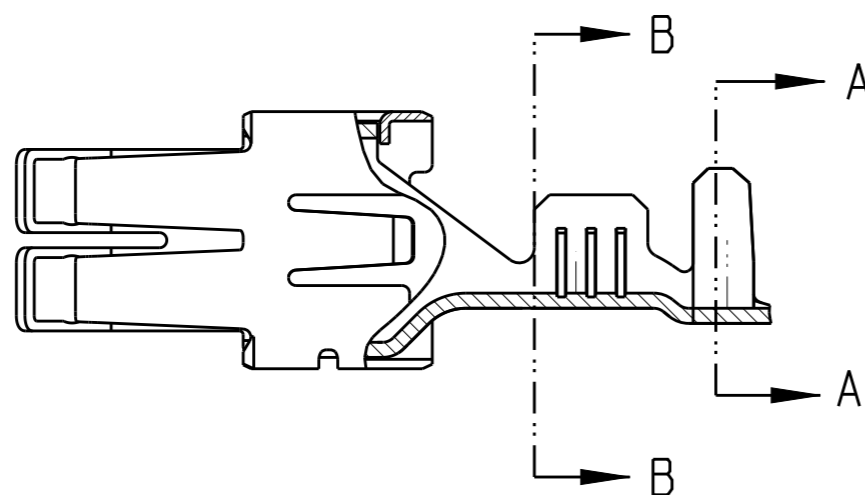
THIS DRAWING IS A CONTROLLED DOCUMENT.

DIMENSIONS: mm	TOLERANCES UNLESS OTHERWISE SPECIFIED: ±0.2	DWN: 27MAR2015 SUDHAKAR N S	 TE Connectivity NAME: STANDARD-POWER-TIMER CONTACT			
	 0 PLC ±- 1 PLC ±- 2 PLC ±- 3 PLC ±- 4 PLC ±- ANGLES ±- 	CHK: 31MAR2015 L. FEDERICO				
		APVD: 31MAR2015 R. RICCARDO				
		PRODUCT SPEC: 108-18025				
MATERIAL: -	FINISH: -	APPLICATION SPEC: 114-18037	SIZE: A3	CAGE CODE: -	DRAWING NO: C-2825197	RESTRICTED TO: -
		WEIGHT: -	Customer Drawing	SCALE: 5:1	SHEET: 1 OF 3	REV: A8

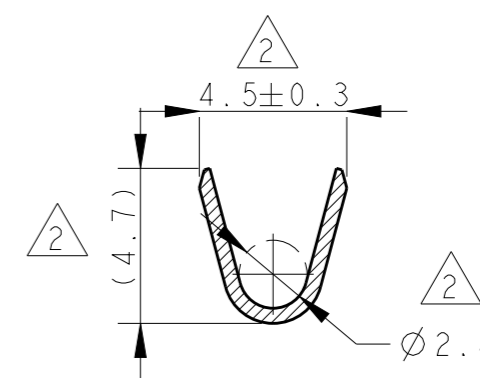
REVISIONS

P	LTR	DESCRIPTION	DATE	DWN	APVD
-	-	SEE SHEET 1	-	-	-

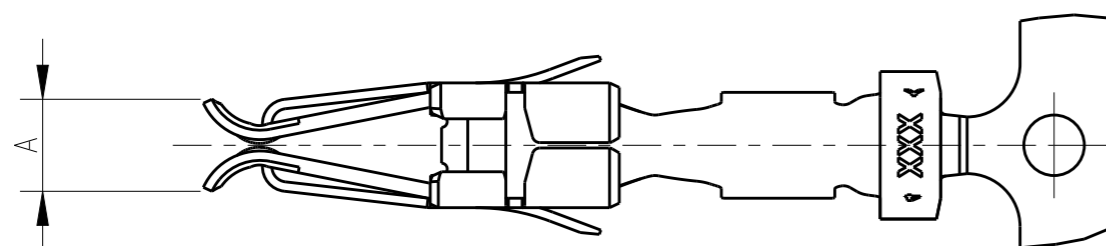
ONLY FOR 3-927827-1 & 3-927827-2
OTHERS DIMENSION SEE SHEET 1



B - B



A - A



2.3 ±0.15	PRETINNED	CuSn4	△2	3-927827-2	A
2.3 ±0.15	PRETINNED	CuFe2	△2	3-927827-1	A
A	FINISH	MATERIAL	PN	REV	

THIS DRAWING IS A CONTROLLED DOCUMENT.

DIMENSIONS:	TOLERANCES UNLESS OTHERWISE SPECIFIED:
mm	±0.2
	0 PLC ±-
	1 PLC ±-
	2 PLC ±-
	3 PLC ±-
	4 PLC ±-
	ANGLES ±-

DWN	27MAR2015
CHK	SUDHAKAR N S
APVD	31MAR2015
	L. FEDERICO
	R. RICCARDO
PRODUCT SPEC	108-18025
APPLICATION SPEC	114-18037
WEIGHT	-



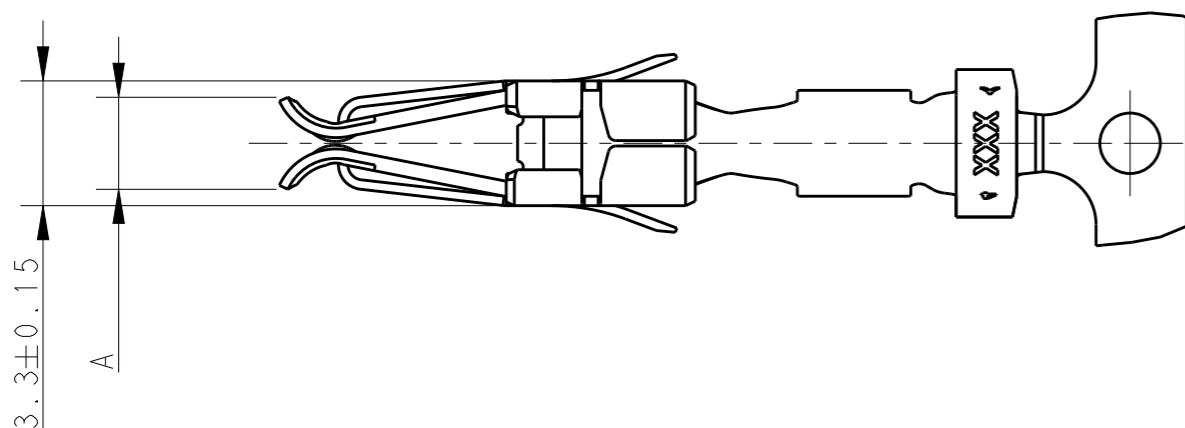
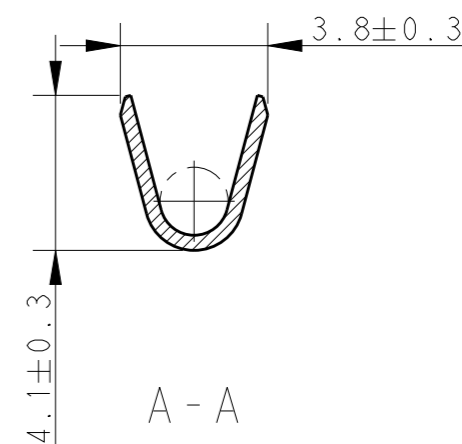
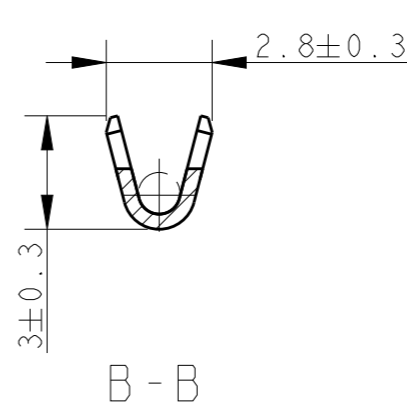
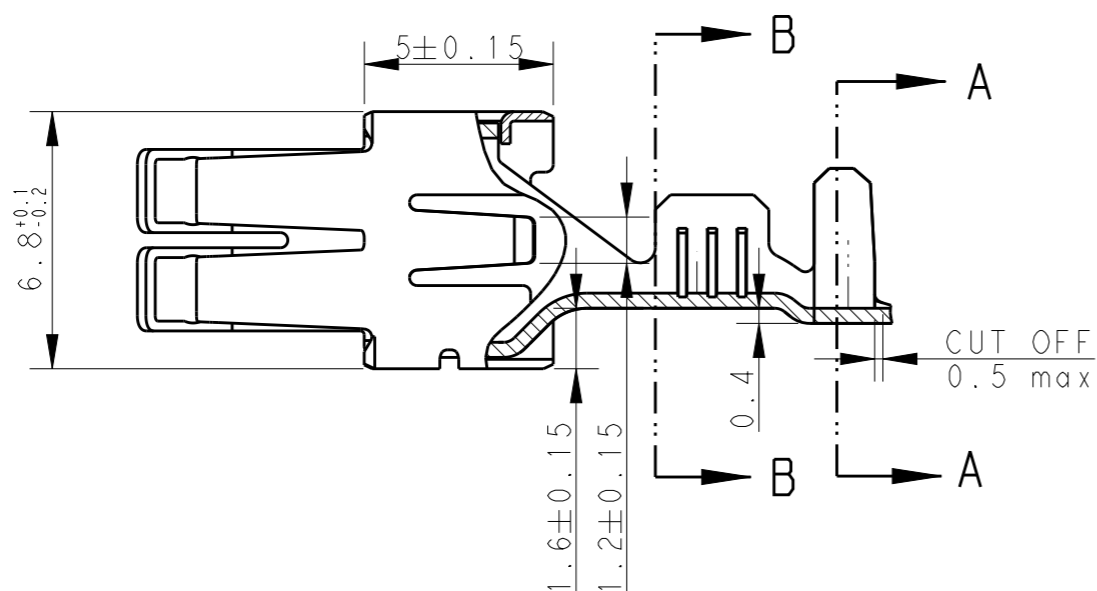
NAME				STANDARD-POWER-TIMER CONTACT	
SIZE	CAGE CODE	DRAWING NO	RESTRICTED TO		
A3	-	C=2825197	-		
Customer Drawing		SCALE	SHEET	REV	
		5:1	2 OF 3	A8	

INSUL. RANGE	WIRE RANGE	MATERIAL	FINISH
Ø 2.0-2.7 mm	Ø 0.5-1.0 mm ²	-	-

REVISIONS

P	LTR	DESCRIPTION	DATE	DWN	APVD
-	-	SEE SHEET 1	-	-	-

ONLY FOR 3-964324-1
OTHERS DIMENSION SEE SHEET 1



2.3 ±0.15	PRETINNED	CuFe2	\triangle 3-964324-1	A
A	FINISH	MATERIAL	PN	REV

THIS DRAWING IS A CONTROLLED DOCUMENT.

DWN 27MAR2015
SUDHAKAR N S
CHK 31MAR2015
L. FEDERICO
APVD 31MAR2015
R. RICCARDO



NAME STANDARD-POWER-TIMER CONTACT

DIMENSIONS: mm	TOLERANCES UNLESS OTHERWISE SPECIFIED: ±0.2
	0 PLC ±-
	1 PLC ±-
	2 PLC ±-
	3 PLC ±-
	4 PLC ±-
	ANGLES ±-

PRODUCT SPEC 108-18025
APPLICATION SPEC 114-18037
WEIGHT -

SIZE A3	CAGE CODE -	DRAWING NO C-2825197	RESTRICTED TO -
---------	-------------	----------------------	-----------------

INSUL. RANGE \varnothing 1.4-2.1 mm
WIRE RANGE \varnothing 0.5-1.0 mm²

MATERIAL -
FINISH -

Customer Drawing SCALE 5:1 SHEET 3 OF 3 REV A8

单击下面可查看定价，库存，交付和生命周期等信息

[>>TE Connectivity\(泰科\)](#)