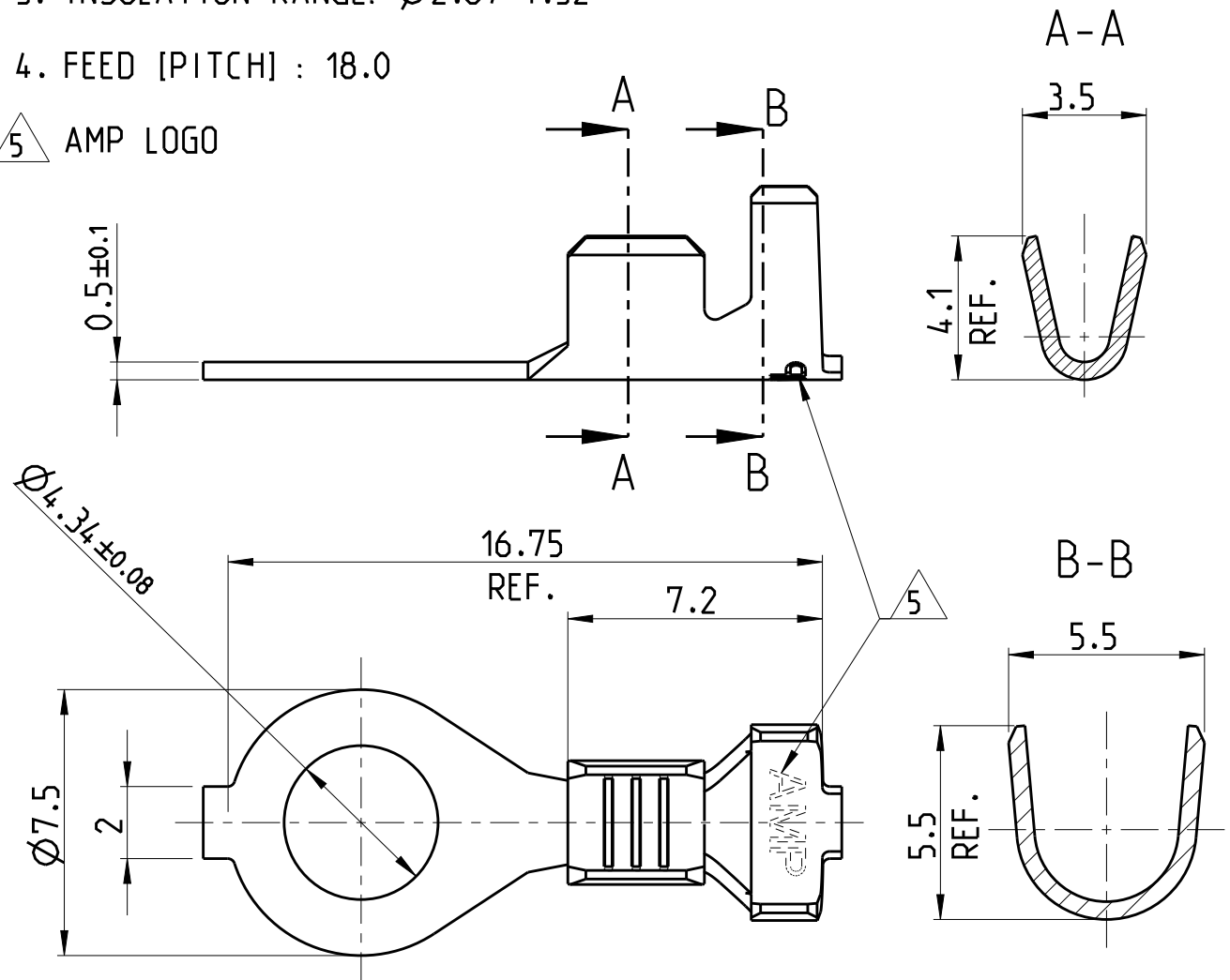


LOC	DIST	REVISIONS				
P	LTR	DESCRIPTION	DATE	DWN	APVD	
IR	-	A	REFER ECR-16-000381	14 JAN2016	PK	TD

NOTES:

1. CONTINUOUS STRIP ON REELS
2. WIRE RANGE: 18-14 AWG [0.8-2.0 SQ.mm]
3. INSULATION RANGE:  $\varnothing$ 2.67-4.32
4. FEED [PITCH] : 18.0

5 AMP LOGO



PRE-TIN; 1-3 $\mu$ m	BRASS	2825326-3
FINISH	MATERIAL	PART NO
SEE TABLE	SEE TABLE	SEE TABLE

DIMENSIONS: mm

TOLERANCES UNLESS OTHERWISE SPECIFIED:

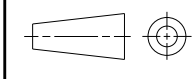
0 PLC	$\pm 0.2$
1 PLC	$\pm 0.2$
2 PLC	$\pm 0.1$
3 PLC	$\pm 0.05$
4 PLC	$\pm$
ANGLES	$\pm$

DWN PRASANTH	19NOV2015
CHK PRASANTH	19NOV2015
APVD TIM DING	19NOV2015
PRODUCT SPEC	-
APPLICATION SPEC	114-2084
WEIGHT	0.4g approx.

**TE** TE Connectivity

NAME: RING TONGUE TERMINAL  
STUD DIA. 4.34; M4

SIZE	CAGE CODE	DRAWING NO	RESTRICTED TO
A 4	00779	C-2825326	-



Customer Drawing	SCALE 5:1	SHEET 1 OF 1	REV A
------------------	-----------	--------------	-------

2012  
 RELEASED FOR PUBLICATION  
 ALL RIGHTS RESERVED.  
 COPYRIGHT 2012

单击下面可查看定价，库存，交付和生命周期等信息

[>>TE Connectivity\(泰科\)](#)