

4

3

2

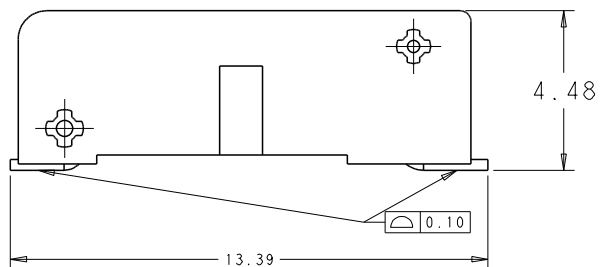
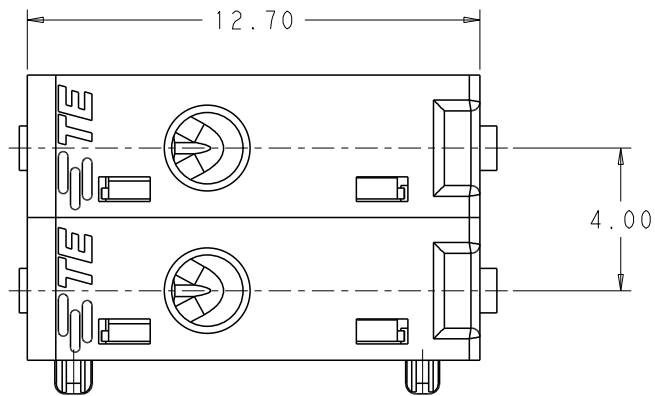
1

THIS DRAWING IS UNPUBLISHED. RELEASED FOR PUBLICATION 20
© COPYRIGHT 20 BY - ALL RIGHTS RESERVED.

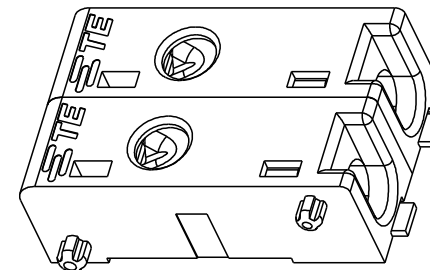
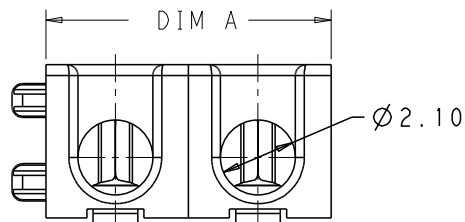
REVISIONS				
P	LYR	DESCRIPTION	DATE	DWN APVD
B3		ECR-17-010993:UPDATE THE 3-2834006-4 DESC	28JUL2017	G.F S.M
B4		ECR-17-013140 ADD NEW PART	08SEP2017	G.F S.M
B5		ADD NEW PART: 7-2834006-1	13SEP2017	G.F S.M
B6		ECR-18-015867 ADD NEW P/N	08OC12018	G.F S.M

NOTES :

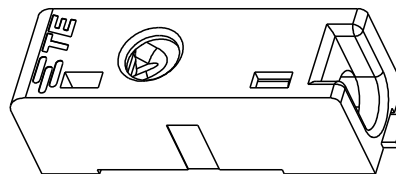
- 1. MATERIALS AND FINISH:
 - HOUSING: HIGH TEMPERATURE RESIN
 - CONTACTS: COPPER ALLOY, FINISH: PRE-TIN OVER NICKEL UNDERPLATE
- 2. MUST COMPLY WITH DIRECTIVE 2002/95/EC (ROHS)
- 3. WIRE TYPES AND SIZES ACCEPTED
 - SOLID WIRE: 18AWG, 20AWG, 22AWG, 16AWG (ONLY ONE TIME INSERTING)
 - STRANDED WIRE(TIN-DIPPED): 18AWG(STRANDS:16); 20AWG(STRANDS:7); 22AWG(STRANDS:7)
 - MAX INSULATION OD: 2.05mm MAX.
 - STRIP LENGTH: 8.0±0.5mm
- 4. PACKAGED IN TAPE AND REEL



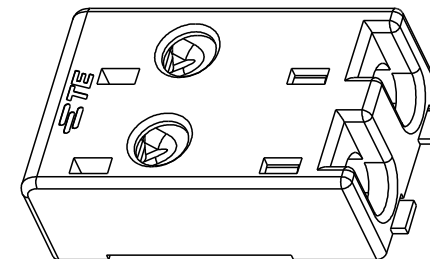
SCALE 10:1



MODULAR ASSEMBLY TYPE



P/N: 5-2834006-1



NORMAL 2P TYPE: 4-2834006-0

THIS DRAWING IS A CONTROLLED DOCUMENT.		DWN: GEORGE FU 13SEP2017	TE Connectivity	
		CHK: GEORGE FU 13SEP2017		
DIMENSIONS: (mm)		APVD: SHEI MING 13SEP2017	NAME: CONNECTOR ASSEMBLY RELEASABLE POKE-IN	
TOLERANCES UNLESS OTHERWISE SPECIFIED:		PRODUCT SPEC: 108-137055	SIZE: A2	
0 PLC ±- 1 PLC ±0.2 2 PLC ±0.13 3 PLC ±- 4 PLC ±- ANGLES ±- FINISH *		APPLICATION SPEC: 114-137055	CAGE CODE: -	
MATERIAL:		WEIGHT: -	DRAWING NO: C=2834006	
		CUSTOMER DRAWING	RESTRICTED TO: -	
		SCALE: 10:1	SHEET 1 OF 3 REV B6	

4

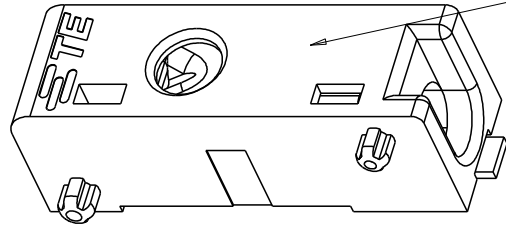
3

2

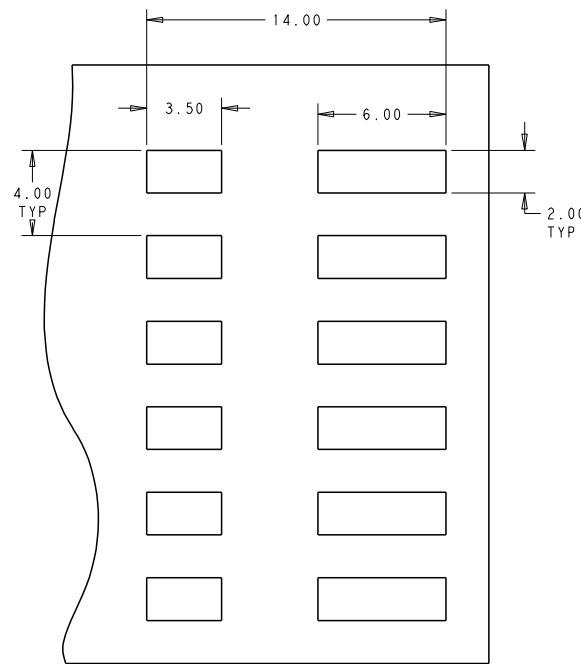
1

THIS DRAWING IS UNPUBLISHED. RELEASED FOR PUBLICATION 20
© COPYRIGHT 20 BY - ALL RIGHTS RESERVED.

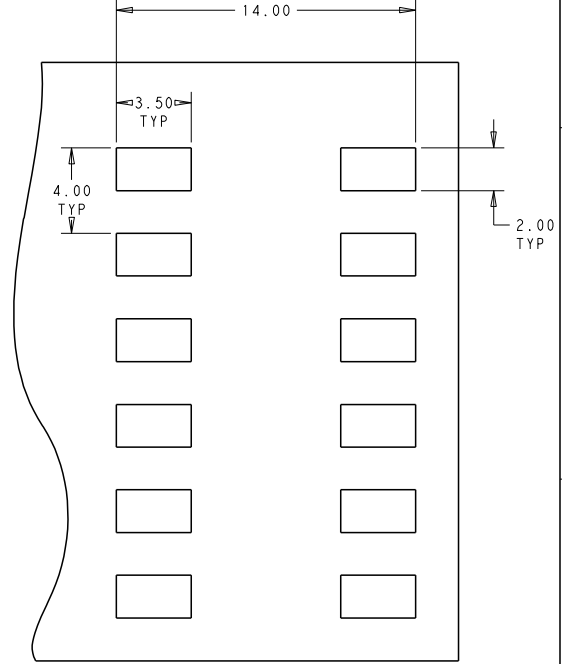
REVISIONS					
P	LYR	DESCRIPTION	DATE	DWN	APVD
-	-	SEE SHEET 1	-	-	-



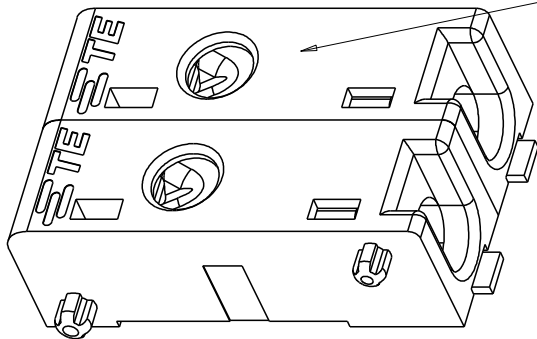
2834006-1
SCALE 10:1



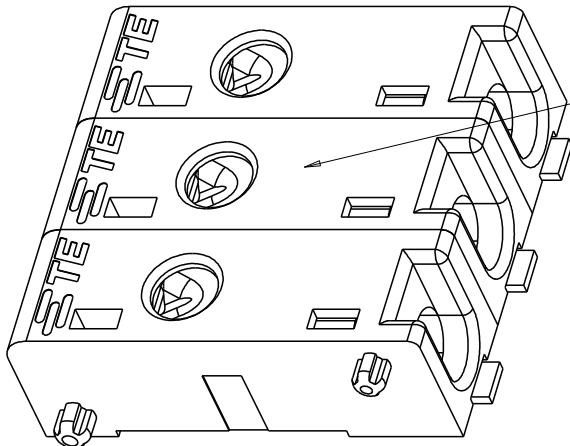
SCALE 6:1
RECOMMENDED PCB LAYOUT



SCALE 6:1
OPTIONAL PCB LAYOUT



2834006-2
SCALE 10:1



1-2834006-2
SCALE 10:1

THIS DRAWING IS A CONTROLLED DOCUMENT.		DWN: GEORGE FU 13SEP2017	TE Connectivity		
DIMENSIONS: (mm)		CHK: GEORGE FU 13SEP2017			
TOLERANCES UNLESS OTHERWISE SPECIFIED:		APVD: GEORGE FU 13SEP2017	NAME: CONNECTOR ASSEMBLY		
0 PLC ±-		PRODUCT SPEC: SHI MING	RELEASEASABLE POKE-IN		
1 PLC ±0.2		APPLICATION SPEC: 108-137055	-		
2 PLC ±0.13		APPLIC. SPEC: 114-137055	SIZE: A2	CAGE CODE: -	DRAWING NO: ©=2834006
3 PLC ±		WEIGHT: -	RESTRICTED TO		
4 PLC ±		CUSTOMER DRAWING	SCALE 10:1 SHEET 2 OF 3 REV B6		
ANGLES FINISH -					
MATERIAL: SEE SHEET 1					

4

3

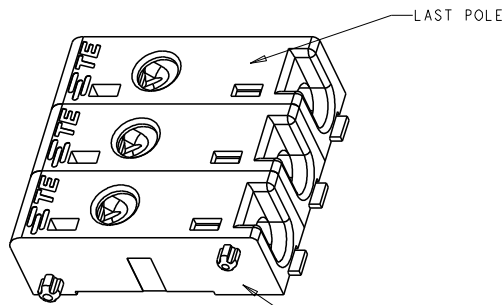
2

1

THIS DRAWING IS UNPUBLISHED. RELEASED FOR PUBLICATION 20
 © COPYRIGHT 20 BY - ALL RIGHTS RESERVED.

REVISIONS					
P	LYR	DESCRIPTION	DATE	DWN	APVD
-	-	SEE SHEET1			

20.00	5 HSG:3 POSN	-	-	-	-	5-2834006-0	6-2834006-0	7-2834006-0	8-2834006-0	-
	COLOR	-	-	-	-	BLACK/BLACK SPACER/RED/RED SPACER/NATURE	NATURE/BLACK SPACER/RED/BLACK SPACER/NATURE	RED/RED SPACER/NATURE/NATURE SPACER/BLACK	NATURE/NATURE SPACER/BLACK/BLACK SPACER/RED	-
20.00	5 Position	2834006-5	2-2834006-5	3-2834006-5	4-2834006-5	5-2834006-5	6-2834006-5	7-2834006-5	8-2834006-5	9-2834006-5
	COLOR	NATURE(ALL)	BLACK(ALL)	RED(ALL)	BRIGHT WHITE(ALL)	BLACK/NATURE/BLACK/NATURE/RED	BLACK/RED/NATURE/BLACK/RED	NATURE/BLACK/RED/NATURE/RED	BLACK/NATURE/RED/BLACK/NATURE	RED/BLACK/NATURE/RED/NATURE
16.00	4 POSITION	2834006-4	2-2834006-4	3-2834006-4	4-2834006-4	5-2834006-4	6-2834006-4	7-2834006-4	8-2834006-4	9-2834006-4
	COLOR	NATURE(ALL)	BLACK(ALL)	WHITE/BLACK/RED/YELLOW	BRIGHT WHITE(ALL)	BLACK/NATURE/BLACK/NATURE	BLACK/RED/BLACK/RED	NATURE/BLACK/NATURE/RED	NATURE/RED/BLACK/NATURE	BLACK/NATURE/RED/NATURE
12.00	3 HSG; 2 POSN	1-2834006-1	1-2834006-2	1-2834006-3	1-2834006-4	1-2834006-5	1-2834006-6	1-2834006-7	1-2834006-8	1-2834006-9
	COLOR	RED(ALL)	NATURE(ALL)	BLACK(ALL)	BRIGHT WHITE(ALL)	RED/NATURE SPACER/BLACK	BLAC/RED SPACER/NATURE	NATURE/RED SPACER/BLACK	BLACK/NATURE SPACER/RED	RED/BLACK SPACER/NATURE
12.00	3 POSITION	2834006-3	2-2834006-3	3-2834006-3	4-2834006-3	5-2834006-3	6-2834006-3	7-2834006-3	8-2834006-3	9-2834006-3
	COLOR	NATURE(ALL)	BLACK(ALL)	RED(ALL)	BRIGHT WHITE(ALL)	BLACK/NATURE/RED	NATURE/RED/BLACK	RED/BLACK/NATURE	PURPLE/GRAY/PURPLE	GRAY/PURPLE/GRAY
8.00	2 POSITION	2834006-2	2-2834006-2	3-2834006-2	4-2834006-2	5-2834006-2	6-2834006-2	7-2834006-2	8-2834006-2	9-2834006-2
	COLOR	NATURE(ALL)	BLACK(ALL)	RED(ALL)	BRIGHT WHITE(ALL)	NATURE/RED	NATURE/BLACK	RED/BLACK	BLACK/NATURE	BLACK/RED
8.00	2 POSITION	1-2834006-0	2-2834006-0	3-2834006-0	4-2834006-0	-	-	-	-	-
	COLOR	GRAY/BLUE	BROWN/YELLOW	NATURE(ALL)(PEG CUT)	NATURE	-	-	-	-	-
4.00	1 POSITION	2834006-1	2-2834006-1	3-2834006-1	4-2834006-1	5-2834006-1	6-2834006-1	7-2834006-1	-	-
	COLOR	NATURE	BLACK	RED	BRIGHT WHITE	NATURE/PEG CUT	BLUE	GREEN	-	-
DIM A	POSITION No	PART No								



COLOR ARRANGEMENT DESCRIPTION

DIMENSIONS:		TOLERANCES UNLESS OTHERWISE SPECIFIED:		DWN - GEORGE FU 13SEP2017		TE Connectivity	
(mm)		0 PLC	±	CHK - GEORGE FU 13SEP2017	NAME	CONNECTOR ASSEMBLY	
		1 PLC	±0.2	APVD - GEORGE FU 13SEP2017	PRODUCT SPEC	RELEASEABLE POKE-IN	
		2 PLC	±0.13	SHI MING	APPLICATION SPEC		
		3 PLC	±	108-137055	SIZE	A2	SCALE 10:1
		4 PLC	±	114-137055	CAGE CODE	-	SHEET 3 OF 3
		ANGLES	±		DRAWING NO	©=2834006	REV B6
		FINISH	-		RESTRICTED TO		
MATERIAL							
THIS DRAWING IS A CONTROLLED DOCUMENT.				CUSTOMER DRAWING			

单击下面可查看定价，库存，交付和生命周期等信息

[>>TE Connectivity\(泰科\)](#)