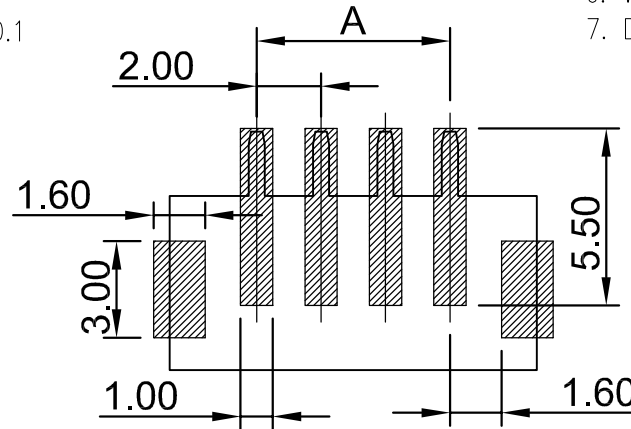
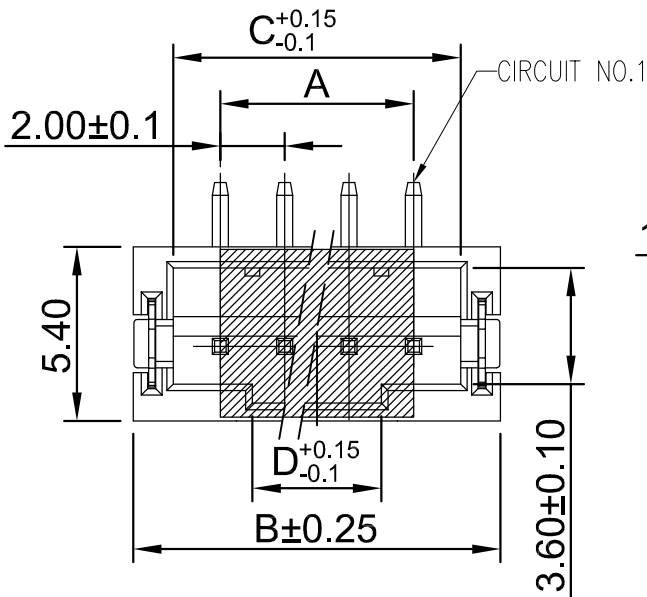


THIS DRAWING IS UNPUBLISHED. RELEASED FOR PUBLICATION BY - ALL RIGHTS RESERVED.

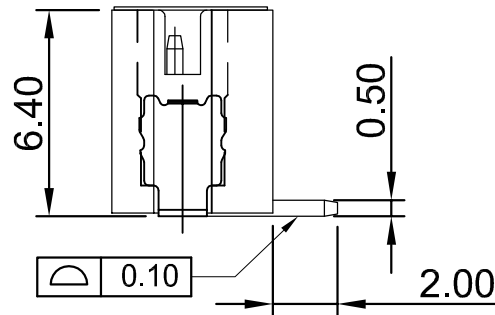
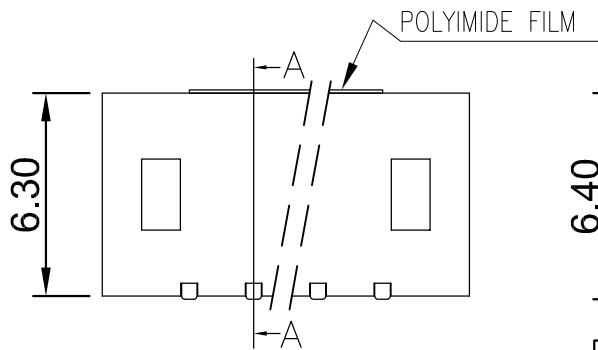
LOC		DIST		REVISIONS			
P	LTR	DESCRIPTION		DATE	DWN	APVD	
A		FIRST VERSION		12DEC2016	G.F	S.M	

- MATERIAL:
  - INSULATION: THERMALPLATIC, UL 94V-0 COLOR:NATURAL
  - CONTACT: COPPER ALLOY
- FINISH: CONTACT 80u"MIN TIN-PLATED OVER 30u" MIN NICKEL PLATED
- INSULATION RESISTANCE:1000M ohm/MIN
- WITHSTAND VOLTAGE:800VAC/MIN
- CURRENT RATING:3A AC/DC
- VOLTAGE RATING:100V AC/DC
- DIMENSIONAL:



RECOMMENDED PCB LAYOUT  
 $T=1.0\text{mm} \sim 1.6\text{mm} (\pm 0.05)$

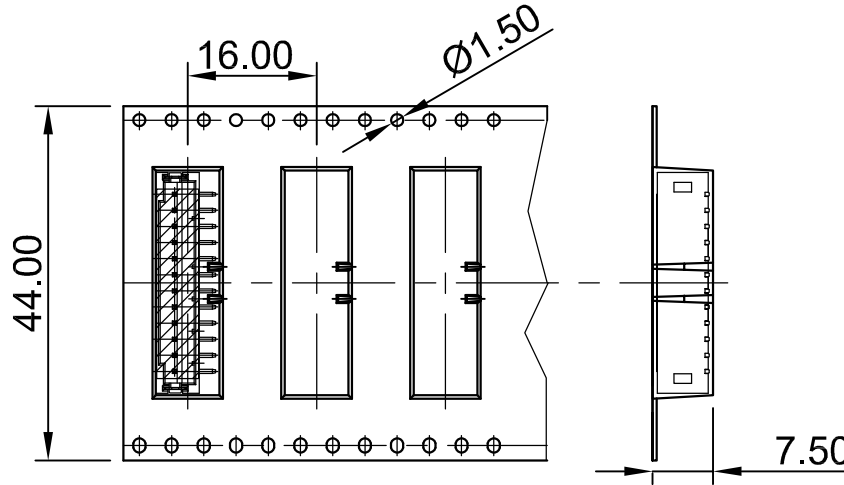
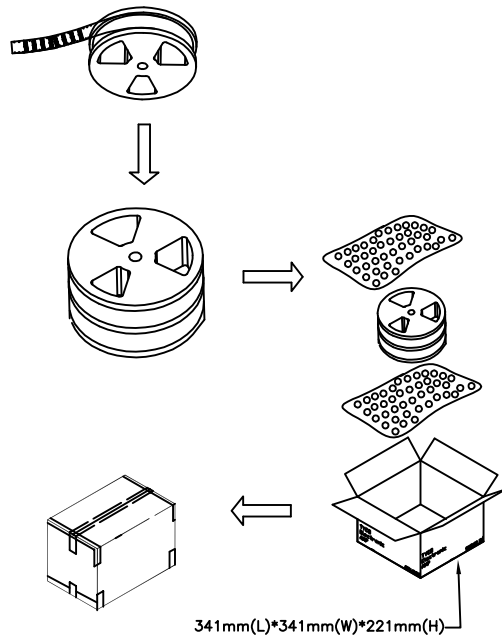
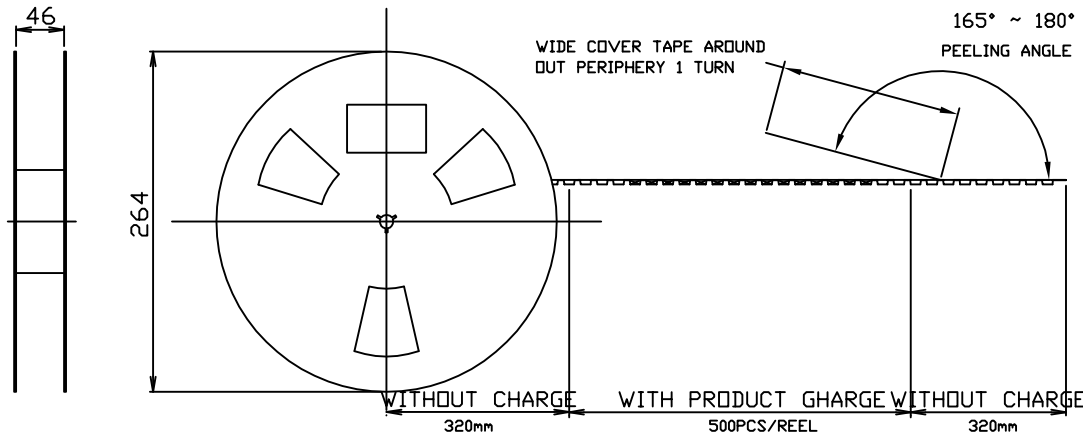
P/N	POS	A	B	C	D
1-2834186-1	2	2.00	7.40	4.90	0.60
1-2834186-2	3	4.00	9.40	6.90	2.00
1-2834186-3	4	6.00	11.40	8.90	4.00
1-2834186-4	5	8.00	13.40	10.90	6.00
1-2834186-5	6	10.00	15.40	12.90	8.00
1-2834186-6	7	12.00	17.40	14.90	10.00
1-2834186-7	8	14.00	19.40	16.90	12.00
1-2834186-8	9	16.00	21.40	18.90	14.00
1-2834186-9	10	18.00	23.40	20.90	16.00
2-2834186-1	11	20.00	25.40	22.90	18.00
2-2834186-2	12	22.00	27.40	24.90	20.00
2-2834186-3	13	24.00	29.40	26.90	22.00
2-2834186-4	14	26.00	31.40	28.90	24.00
2-2834186-5	15	28.00	33.40	30.90	26.00
2-2834186-6	16	30.00	35.40	32.90	28.00



THIS DRAWING IS A CONTROLLED DOCUMENT.		DWG GEORGE FU 12DEC2016		TE Connectivity	
DIMENSIONS: MILL		DWG SHI MING 12DEC2016			
TOLERANCES UNLESS OTHERWISE SPECIFIED		APVD XU XIANG 12DEC2016		NAME	
D PLC $\pm 0.30$ E PLC $\pm 0.20$ F PLC $\pm 0.1$ H PLC $\pm 0.1$ ANGLES $\pm 30^\circ$		PRODUCT SPEC		2.0MM PITCH VERTICAL SMT TYPE SINGLE ROW WTB RECEPTACLE	
MATERIAL FRESH		APPLICATION SPEC		RESTRICTED TO	
NOTE 1		NOTE 2		SIZE CAGE CODE DRAWING NO	
CUSTOMER DRAWING		WEIGHT		A200779 C-2834186	
SCALE 1:1		SHEET 1 OF 2		REV A	

THIS DRAWING IS UNPUBLISHED. RELEASED FOR PUBLICATION BY - ALL RIGHTS RESERVED.

LOC		DIST		REVISIONS			
P	LTR	DESCRIPTION		DATE	DWN	APVD	



1500	500	16	2-2834186-6
1500	500	15	2-2834186-5
1500	500	14	2-2834186-4
1500	500	13	2-2834186-3
2000	500	12	2-2834186-2
2000	500	11	2-2834186-1
2000	500	10	1-2834186-9
2000	500	9	1-2834186-8
2000	500	8	1-2834186-7
2000	500	7	1-2834186-6
2500	500	6	1-2834186-5
2500	500	5	1-2834186-4
2500	500	4	1-2834186-3
2500	500	3	1-2834186-2
2500	500	2	1-2834186-1
PCS/CARTON	PCS/REEL	POS	P/N

THIS DRAWING IS A CONTROLLED DOCUMENT.

DESIGNER: GEORGE FU 12DEC2016	DATE: 12DEC2016	 TE Connectivity
CHK: SHI MING 12DEC2016	DATE: 12DEC2016	
APVD: XU XIANG 12DEC2016	DATE: 12DEC2016	NAME: 2.0MM PITCH VERTICAL SMT TYPE SINGLE ROW WTB RECEPTACLE
PRODUCT SPEC: 108-137252	APPLICATION SPEC: 114-137252	SIZE: A2
MATERIAL: FRESH	WEIGHT: -	CAGE CODE: 00779
NOTE 1	NOTE 2	DRAWING NO: C-2834186
CUSTOMER DRAWING		RESTRICTED TO: -
SCALE: 1:1		SHEET: 2 OF 2
		REV: A

单击下面可查看定价，库存，交付和生命周期等信息

[>>TE Connectivity\(泰科\)](#)