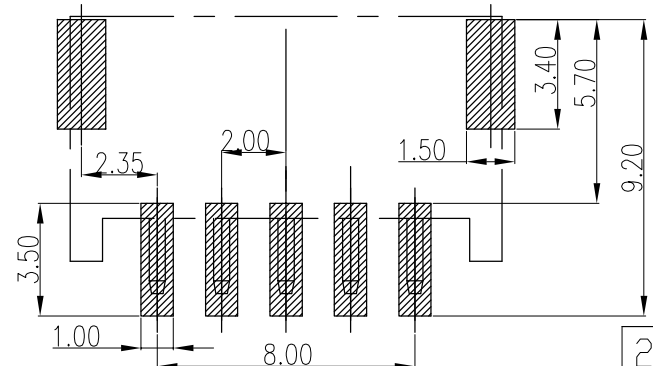
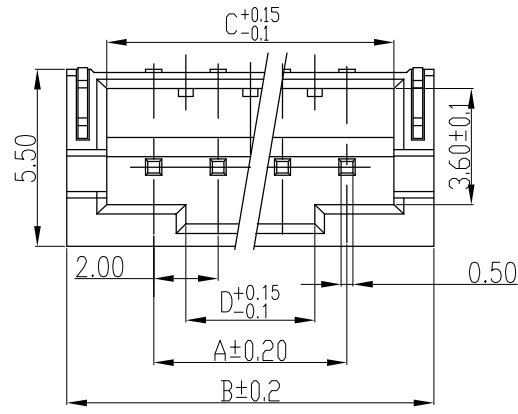
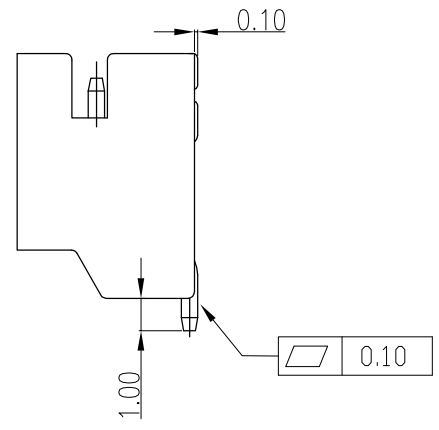
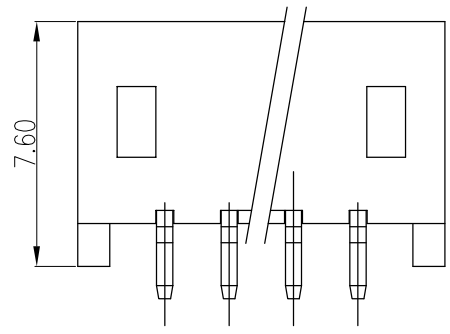


LOC		DIST		REVISIONS				
P	LTR	DESCRIPTION			DATE	DWN	APVD	
A		FIRST VERSION			12DEC2016	G.F	S.M	



RECOMMENDED PCB LAYOUT



28.00	32.90	35.40	30.00	16P	2-2834187-6
26.00	30.90	33.40	28.00	15P	2-2834187-5
24.00	28.90	31.40	26.00	14P	2-2834187-4
22.00	26.90	29.40	24.00	13P	2-2834187-3
20.00	24.90	27.40	22.00	12P	2-2834187-2
18.00	22.90	25.40	20.00	11P	2-2834187-1
16.00	20.90	23.40	18.00	10P	1-2834187-9
14.00	18.90	21.40	16.00	9P	1-2834187-8
12.00	16.90	19.40	14.00	8P	1-2834187-7
10.00	14.90	17.40	12.00	7P	1-2834187-6
8.00	12.90	15.40	10.00	6P	1-2834187-5
6.00	10.90	13.40	8.00	5P	1-2834187-4
4.00	8.90	11.40	6.00	4P	1-2834187-3
2.00	6.90	9.40	4.00	3P	1-2834187-2
0.60	4.90	7.40	2.00	2P	1-2834187-1
D	C	B	A	POS	P/N

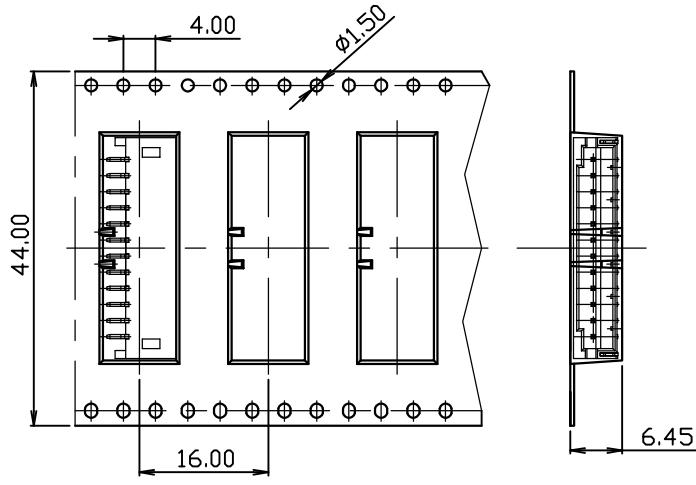
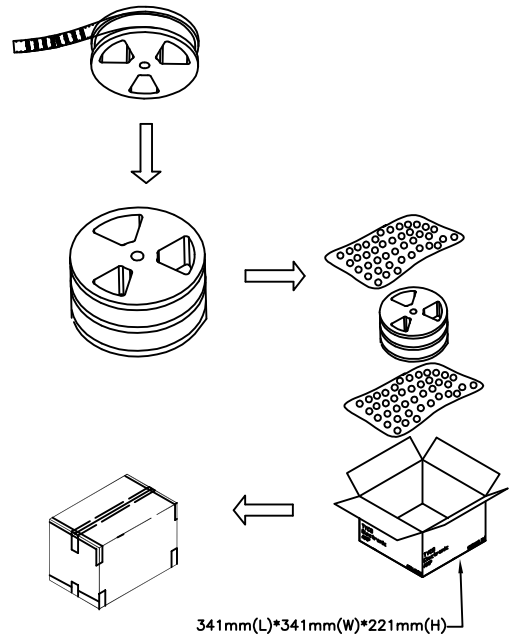
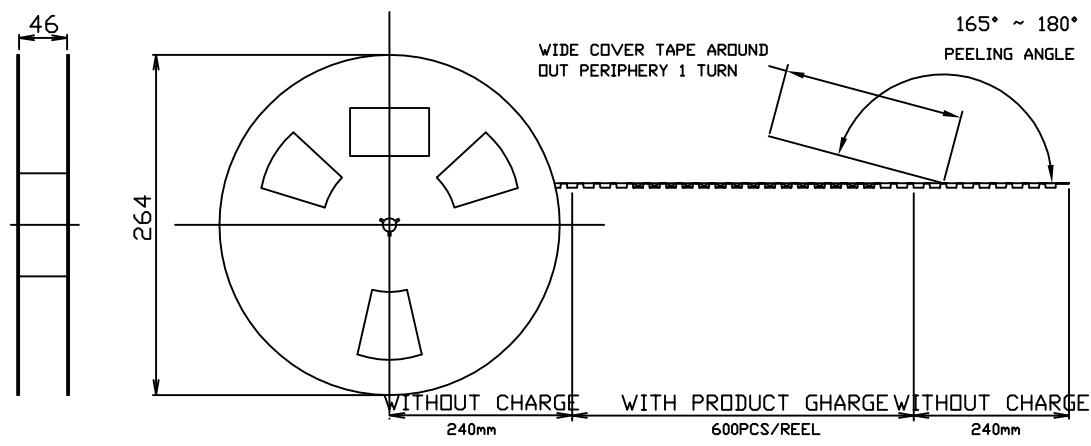
- MATERIAL:
 - INSULATION: THERMALPLATIC, UL 94V-0 COLOR:NATURAL
 - CONTACT: COPPER ALLOY
- FINISH: CONTACT 80u"MIN TIN-PLATED OVER 30u" MIN NICKEL PLATED
- INSULATION RESISTANCE:1000M ohm/MIN
- WITHSTAND VOLTAGE:800VAC/MIN
- CURRENT RATING:3A AC/DC
- VOLTAGE RATING:100V AC/DC
- REFLOW SOLDER CAPABLE TO 265°C

THIS DRAWING IS A CONTROLLED DOCUMENT. DIMS GEORGE FU 12DEC2016

APPROVED: SHI MING 12DEC2016	NAME: XU XIANG 12DEC2016	PRODUCT SPEC: 108-137153	APPLICATOR SPEC: 114-137153	SIZE: A2	CAGE CODE: 00779	DRAWING NO: C-2834187	RESTRICTED TO: -
TE Connectivity		2.0PITCH R/A SMT TYPE SINGLE ROW RECEPTACLE		SCALE: 1:1		SHEET 1 OF 2 REV A	

NOTE 1: MATERIAL FINISH NOTE 2: DIMS GEORGE FU 12DEC2016

LOC		DIST		REVISIONS			
P	LTR	DESCRIPTION		DATE	DWN	APVD	



1800	600	16
1800	600	15
1800	600	14
1800	600	13
2400	600	12
2400	600	11
2400	600	10
2400	600	9
2400	600	8
2400	600	7
3000	600	6
3000	600	5
3000	600	4
3000	600	3
3000	600	2
PCS/CARTON	PCS/REEL	POS

THIS DRAWING IS A CONTROLLED DOCUMENT.

DIMENSIONS: MPM TOLERANCES UNLESS OTHERWISE SPECIFIED: D. PLC ±0.35 E. PLC ±0.30 F. PLC ±0.20 G. PLC ±0.1 H. PLC ± ANGLES: ± 30° MATERIAL: FRESH NOTE 1	DIM: GEORGE FU 12DEC2016 CHK: SHI MING 12DEC2016 APVD: XU XIANG 12DEC2016 PRODUCT SPEC: 108-137153 APPLICATION SPEC: 114-137153 WEIGHT: - NOTE 2	NAME: 2.0PITCH R/A SMT TYPE SINGLE ROW RECEPTACLE SIZE: A2 CAGE CODE: 00779 DRAWING NO: C-2834187 RESTRICTED TO: - SCALE: 1:1 SHEET: 2 OF 2 REV: A
--	--	---

CUSTOMER DRAWING

单击下面可查看定价，库存，交付和生命周期等信息

[>>TE Connectivity\(泰科\)](#)