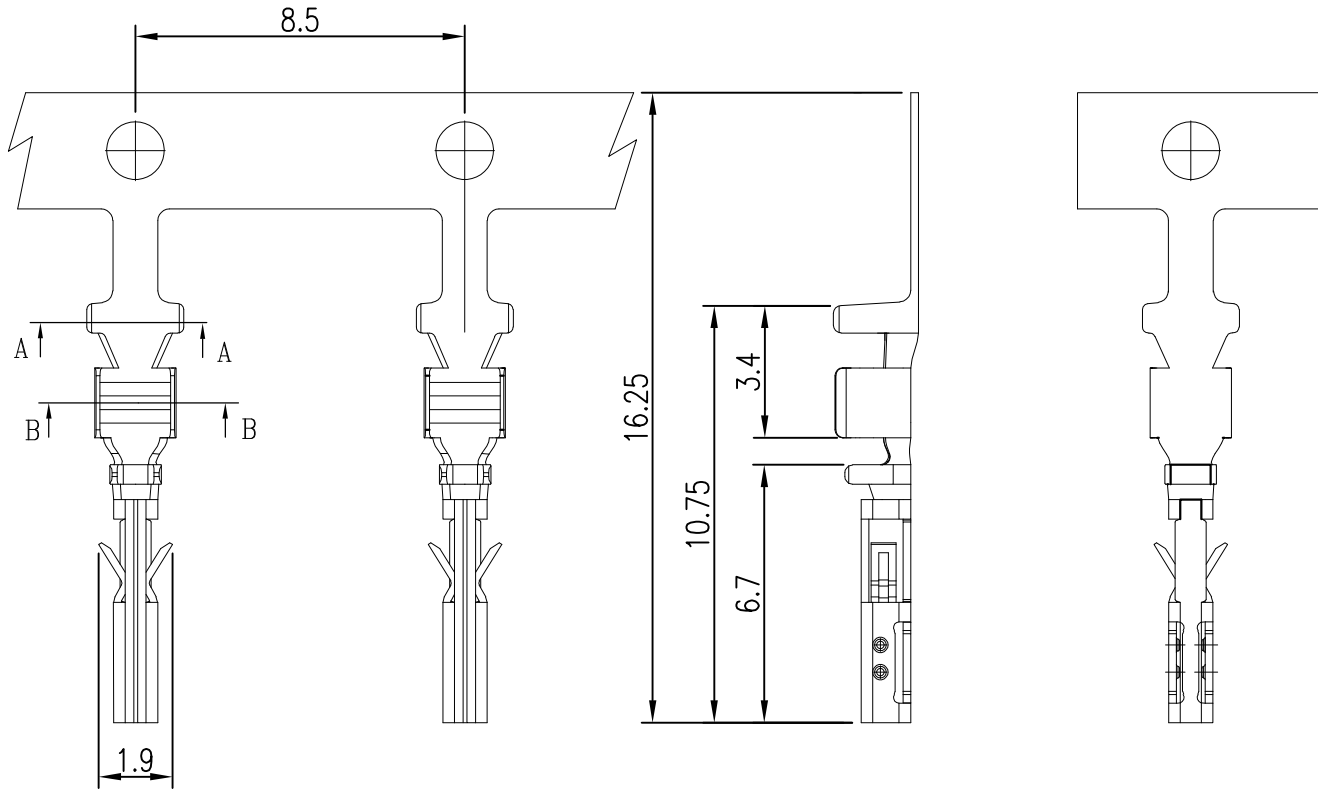
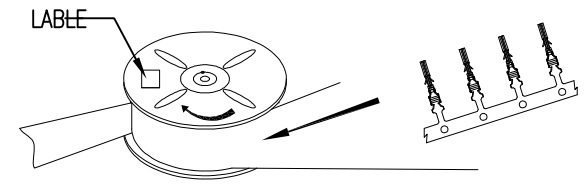


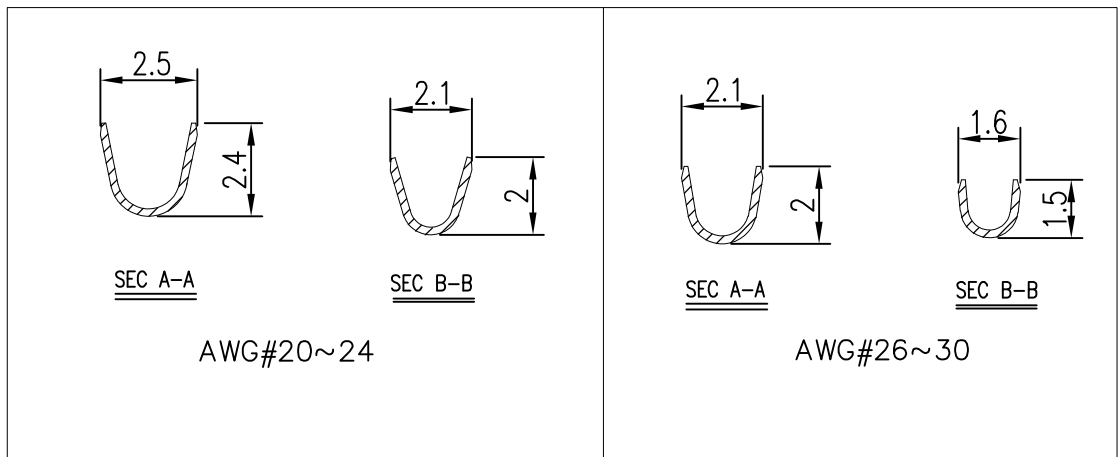
| LDC | DIST | REVISIONS | | | | | |
|-----|------|-----------|-----|---------------|-----------|-----|------|
| | | P | LTR | DESCRIPTION | DATE | DWN | APVD |
| | | A | | FIRST VERSION | 09DEC2016 | G.F | S.M |



NOTE:
 1.MATERIAL:
 CONTACT: COPPER ALLOY.
 2.CONTACT FINISH:
 CONTACT:80u" MIN TIN ,PLATED OVER
 50U" MIN NICKEL PLATED



DRAW INTO DIRECTION



| | | | |
|--|---|--|---|
| THIS DRAWING IS A CONTROLLED DOCUMENT. | | DWN GEORGE FU 07Dec2016 CHK SHI MING 07Dec2016 APVD XU XIANG 07Dec2016 | TE Connectivity |
| DIMENSIONS: MM | TOLERANCES UNLESS OTHERWISE SPECIFIED: 0 PLC ±0.30 1 PLC ±0.20 2 PLC ±0.10 3 PLC ± 4 PLC ± ANGLES ±2° | NAME PRODUCT SPEC APPLICATION SPEC WEIGHT - | 3.0mm PITCH CRIMP TERMINAL SIZE CAGE CODE DRAWING NO A200779 C-2834200 RESTRICTED TO - |
| NOTE 1 | NOTE 2 | CUSTOMER DRAWING | SCALE 1:1 SHEET 1 OF 1 REV A |

单击下面可查看定价，库存，交付和生命周期等信息

[>>TE Connectivity\(泰科\)](#)