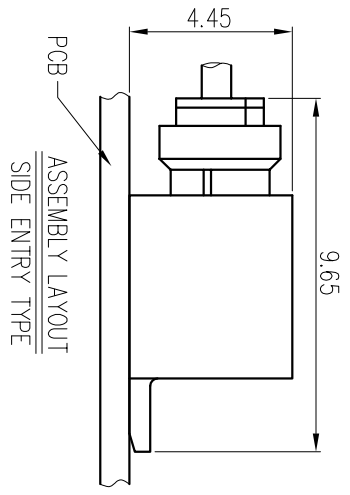
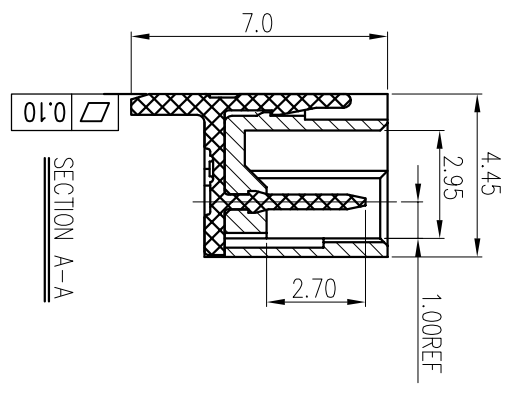
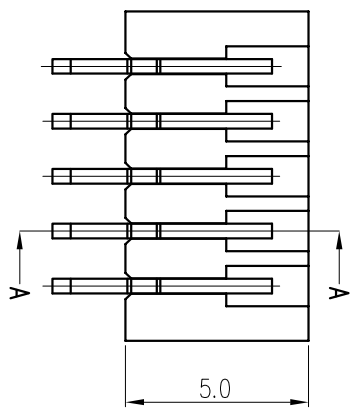
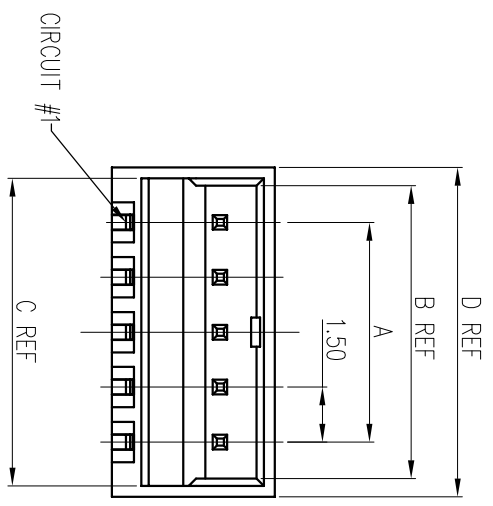
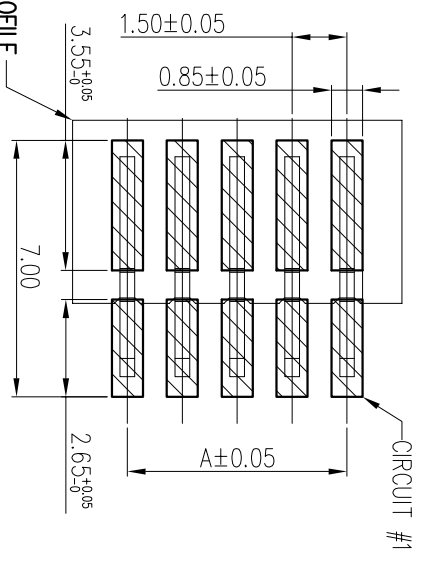


REV	DATE	BY	CHK	DESCRIPTION
1				INITIAL VERSION

- NOTES:
- MATERIAL SPECIFICATION
 - INSULATION: NYLON 9TJL 94V-0, COLOR BLANK(NATURAL)
 - CONTACT: THICK 0.40mm BRASS.
 - PLATING SPECIFICATION
 - CONTACT: TIN PLATED.
 - FOR COLOR, AVAILABILITY, DELIVERY & MOQ, CONTACT TE.
 - DIMENSIONAL

RECOMMENDED PCB LAYOUT
 PCB TOLERANCES: ±0.05



P/N	POS	A	B	C	D
1-2834304-1	2	1.5	3.5	3.9	4.5
1-2834304-2	3	3.0	5.0	5.4	6.0
1-2834304-3	4	4.5	6.5	6.9	7.5
1-2834304-4	5	6.0	8.0	8.4	9.0
1-2834304-5	6	7.5	9.5	9.9	10.5
1-2834304-6	7	9.0	11.0	11.4	12.0
1-2834304-7	8	10.5	12.5	12.9	13.7
1-2834304-8	9	12.0	14.0	14.4	15.0
1-2834304-9	10	13.5	15.5	15.9	16.5
2-2834304-1	11	15.0	17.0	17.4	18.0
2-2834304-2	12	16.5	18.5	18.9	19.5
2-2834304-3	13	18.0	20.0	20.4	21.0
2-2834304-4	14	19.5	21.5	21.9	22.5
2-2834304-5	15	21.0	23.0	23.4	24.0

THIS DRAWING IS A CONTROLLED DOCUMENT

DESIGNER	DATE	REV	DESCRIPTION
PETER W. ISHARR2017	18MAR2017	1	TE Connectivity

DATE: 18MAR2017

PRODUCT: WTB 1.50PITCH R/A SMT TYPE CONN.

SIZE: A4

SCALE: 1:1

SHEET: 1 OF 2

REV: A

单击下面可查看定价，库存，交付和生命周期等信息

[>>TE Connectivity\(泰科\)](#)