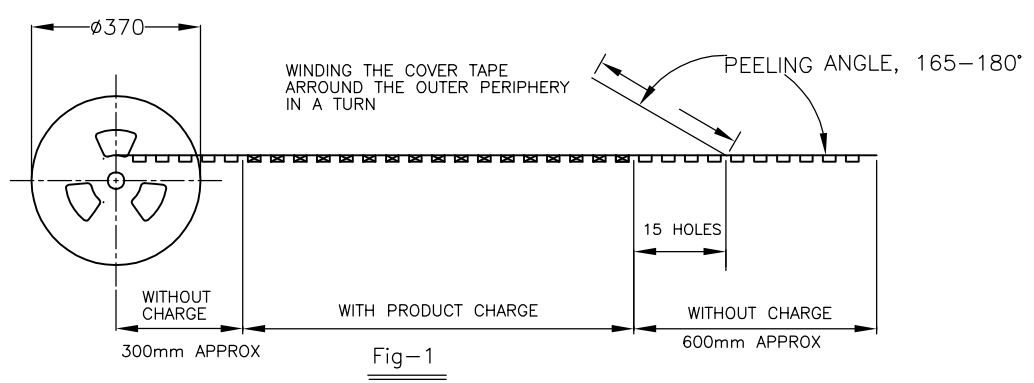
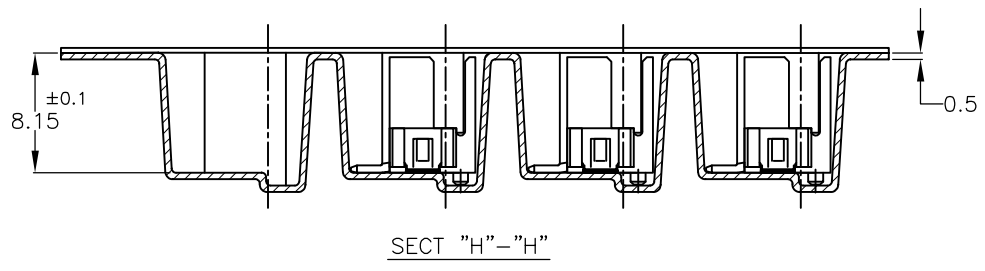
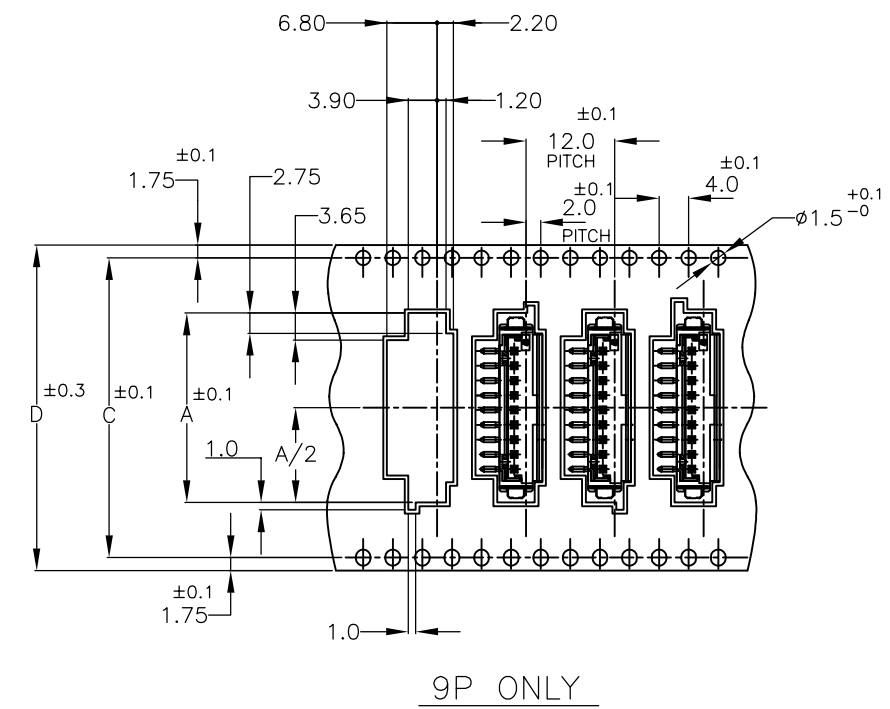
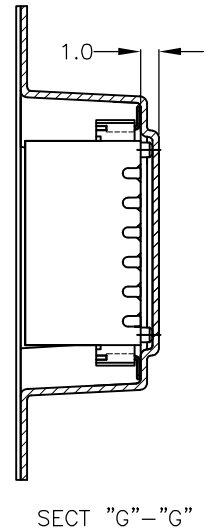
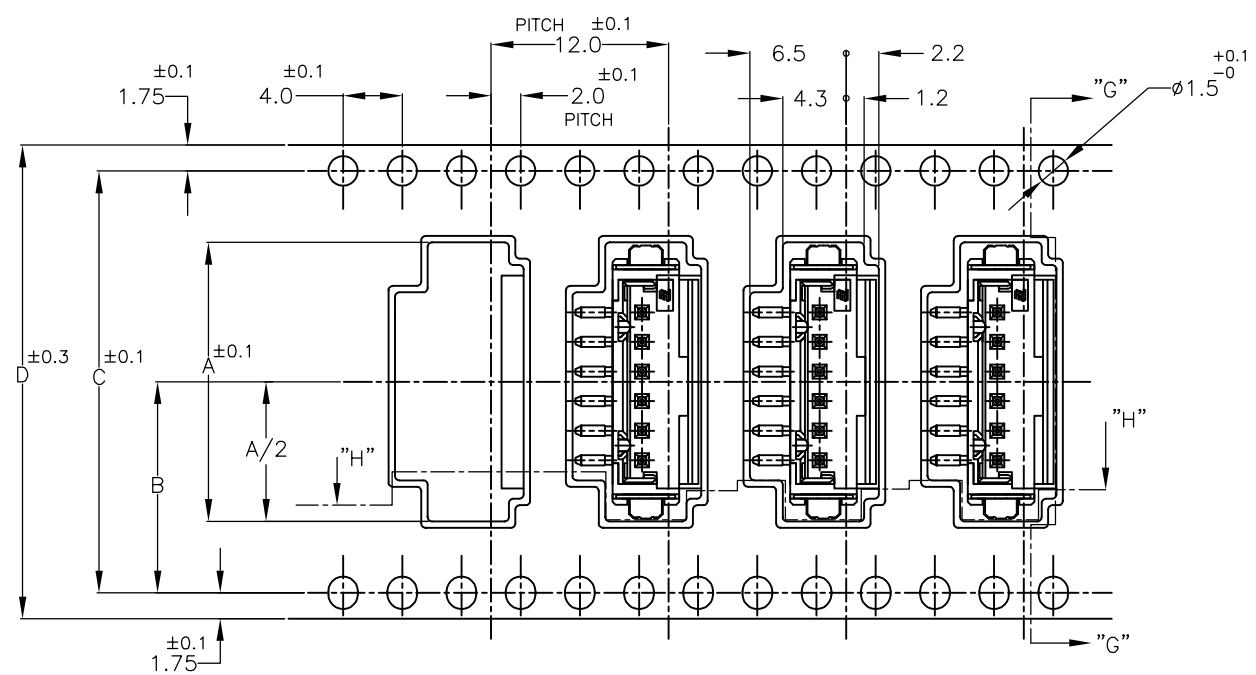


LOC	DIST	REVISIONS					
ES	00	P	LTR	DESCRIPTION	DATE	DWN	APVD
		C1		REVISED PERECR-14-003969	08DEC14	T.Q	W.H

(AS SHOWN : -6)



BLACK		44.0	40.5	20.25	25.6	9	2-292174-9	
		44.0	40.4	20.2	22.9	8	2- -8	
		32.0	28.4	14.2	20.9	7	2- -7	
		32.0	28.4	14.2	18.9	6	2- -6	
		32.0	28.4	14.2	16.9	5	2- -5	
		32.0	28.4	14.2	14.9	4	2- -4	
		32.0	28.4	14.2	12.9	3	2- -3	
	WITH	32.0	28.4	14.2	10.9	700	2 2-292174-2	
	NATURAL		44.0	40.5	20.25	25.6	9	292174-9
		44.0	40.4	20.2	22.9	8	-8	
		32.0	28.4	14.2	20.9	7	-7	
		32.0	28.4	14.2	18.9	6	-6	
		32.0	28.4	14.2	16.9	5	-5	
		32.0	28.4	14.2	14.9	4	-4	
		32.0	28.4	14.2	12.9	3	-3	
WITH		32.0	28.4	14.2	10.9	700	2 292174-2	
COLOR		PLATE	D	C	B	A	QTY/ REEL	POS

NOTES:
 1. PEELING RESISTANCE: 0.196N(20gf)-0.686N(70gf)
 PEELING SPEED: 300mm/min

TOLERANCE UNLESS OTHERWISE SPECIFIED	
10 > * :	±0.2
30 > * > 10 :	±0.25
100 > * > 30 :	±0.3
ANGLE :	±3°

THIS DRAWING IS A CONTROLLED DOCUMENT.

DWN	JACK HOU	17SEP10
CHK	MARTIN LI	17SEP10
APVD	STEVEN YAO	17SEP10

STE TE Connectivity

ON TAPING (EMBOSS)
 TE CT CONNECTOR POST HEADER ASS'Y
 (BOX-V SMT W/BOSS & TAIL)

SIZE	CAGE CODE	DRAWING NO	RESTRICTED TO
A3	00779	C=292174	-

CUSTOMER DRAWING SCALE: 1:1 SHEET: 1 OF 3 REV: C1

4

3

2

1

THIS DRAWING IS UNPUBLISHED. RELEASED FOR PUBLICATION
 © COPYRIGHT - By - ALL RIGHTS RESERVED.

LOC	DIST	REVISIONS					
ES	00	P	LTR	DESCRIPTION	DATE	DWN	APVD
		-	-	SEE SHEET 1	-	-	-

1.6 F 2.2 CIRCUIT No.1 (BASIS PIN)
 PITCH 2 REF. (O.7)
 2.5 "B"
 2.3 "A"
 1.1
 0.9
 1.2 "B"
 REF. (2.3) E
 TRADE MARK

SEE DETAIL "C"
 0.1MAX COPLANARITY
 REF. (2.1)
 Ø1.0 4.8 5.8
 0.2x45° CHAM
 SECT "B"-B"

0.05±0.1
 (AS SHOWN : 2-292174-6)
 DETAIL "C"
 SCALE 10:1

NOTES;

- MATERIAL:HSG:6T PA(G.F.30%)(UL94V-0)
 COLOR:BLACK OR NATURAL
 POST:TIN BRASS
 TAIL:TIN BRASS
- △ OCCUPANT AREA ON PC BOARD
- PRODUCT SPEC :108-60016
- △ TO BE MEASURED WITH CONNECTOR PLACED ON HORIZONTAL DATUM SURFACE,FLOAT OF SOLDER TINE AND TAIL FROM DATUM SURFACE IS 0.1mm MAX
- △ 292174-6 SHOWED ON SHEET 3/3.

Ø0.6
 7.8 +0.3
 4.5 ±0.2
 0.8
 0.6
 G
 SECT "A"-A"

NO ACCUMULATED TOLERANCE
 ±0.1 F ±0.1
 ±0.1
 2.5 PITCH 2 3.0
 1.2
 TYP 1.8 MIN
 TYP 3.3 MIN
 1.45 ±0.1
 G ±0.1
 ±0.1
 1.2
 ±0.1
 2.6
 ±0.1
 2.4
 ±0.1
 1.1
 HOLE
 RECOMENOD P.C.BOARD LAYOUT
 (P.C.B THK:0.8mm MIN)

18.6	16.0	19.8	9	2-292174-9	292174-9
16.6	14.0	17.8	8	2-8	8
14.6	12.0	15.8	7	2-7	7
12.6	10.0	13.8	6	2-6	6
10.6	8.0	11.8	5	2-5	5
8.6	6.0	9.8	4	2-4	4
6.6	4.0	7.8	3	2-3	3
4.6	2.0	5.8	2	2-292174-2	292174-2
G	F	E	Pos.	BLACK	NATURAL
P/N					

2 P
 3 P

TOLERANCES UNLESS OTHERWISE SPECIFIED:
 10** : ±0.2
 30**>10 : ±0.25
 100**>30 : ±0.3
 ANGEL : ±3°

THIS DRAWING IS A CONTROLLED DOCUMENT.

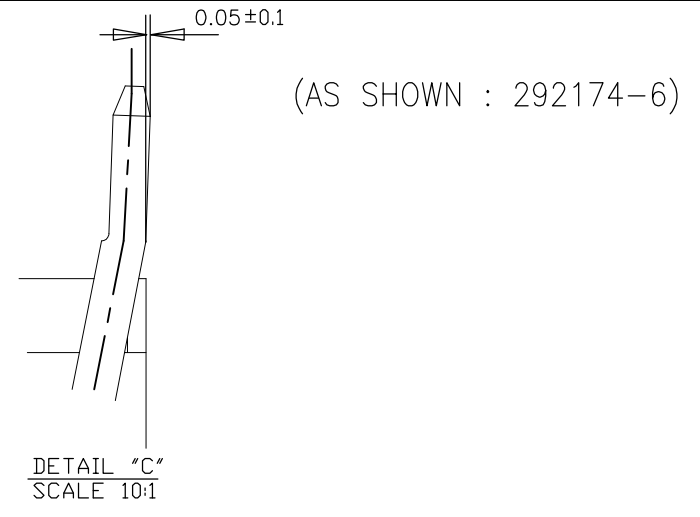
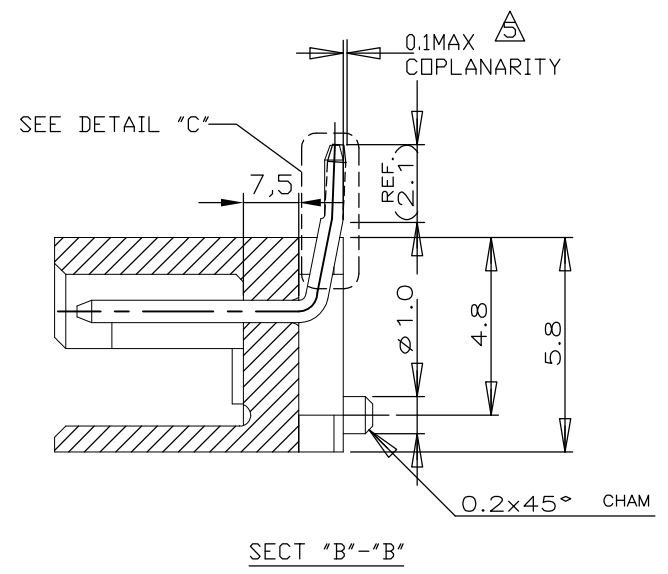
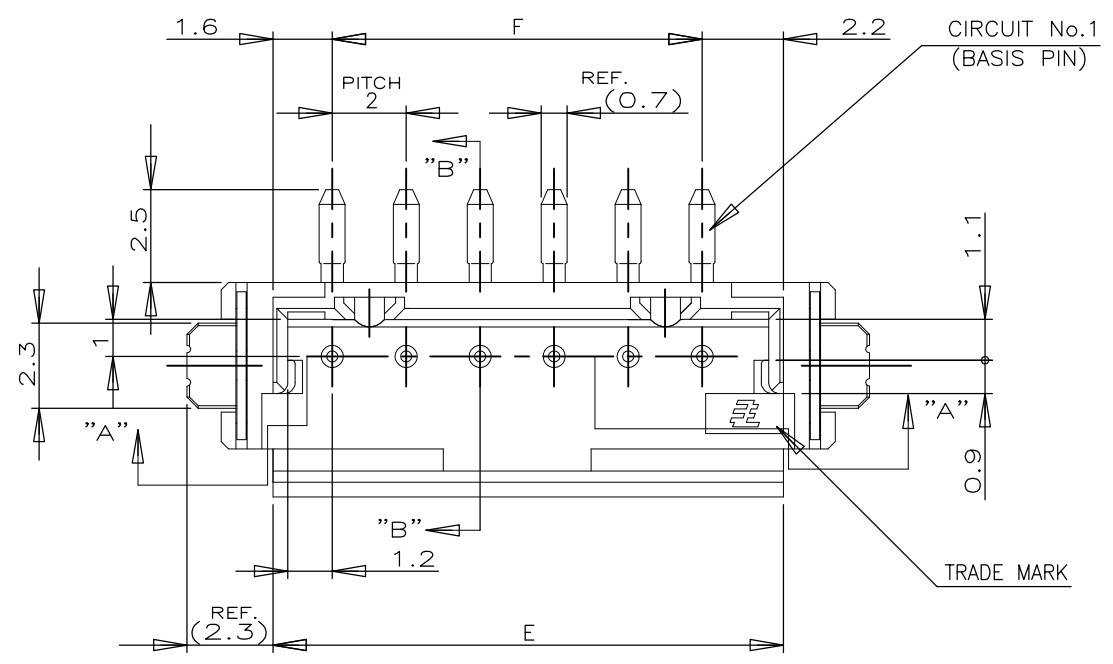
DWN JACK HOU 17SEP10	 TE Connectivity SMT TYPE POST HDR ASS'Y(V) WITH BOSS &WITH TAIL TYPE TE CT CONN. 2 mm PITCH					
CHK MARTIN LI 17SEP10						
APVD STEVEN YAO 17SEP10						
NAME						
DIMENSIONS: MM	TOLERANCES UNLESS OTHERWISE SPECIFIED:	PRODUCT SPEC	SIZE	CAGE CODE	DRAWING NO	RESTRICTED TO
0 PLC ± -	1 PLC ± -	SEE NOTE	A3	00779	C-292174	
2 PLC ± -	3 PLC ± -	APPLICATION SPEC	WEIGHT			
4 PLC ± -	ANGLES ± -	SEE NOTE				
MATERIAL SEE NOTE	FINISH SEE NOTE	CUSTOMER DRAWING	SCALE	SHEET	REV	
			5:1	2 of 3	C1	

1470-19 (3/11)

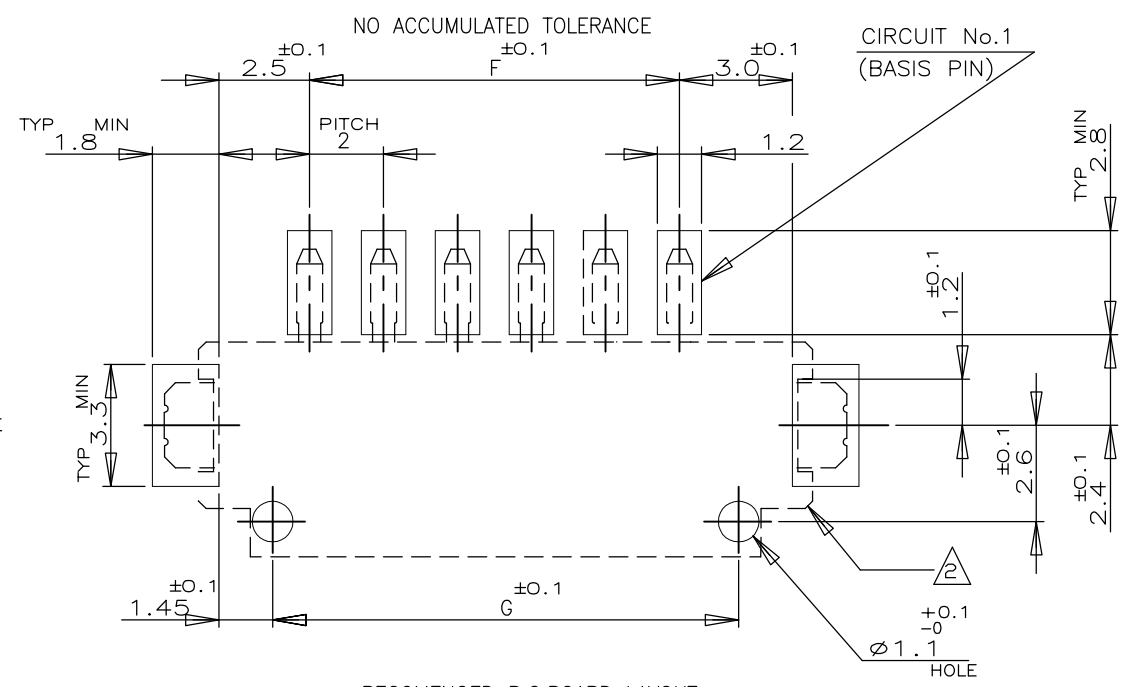
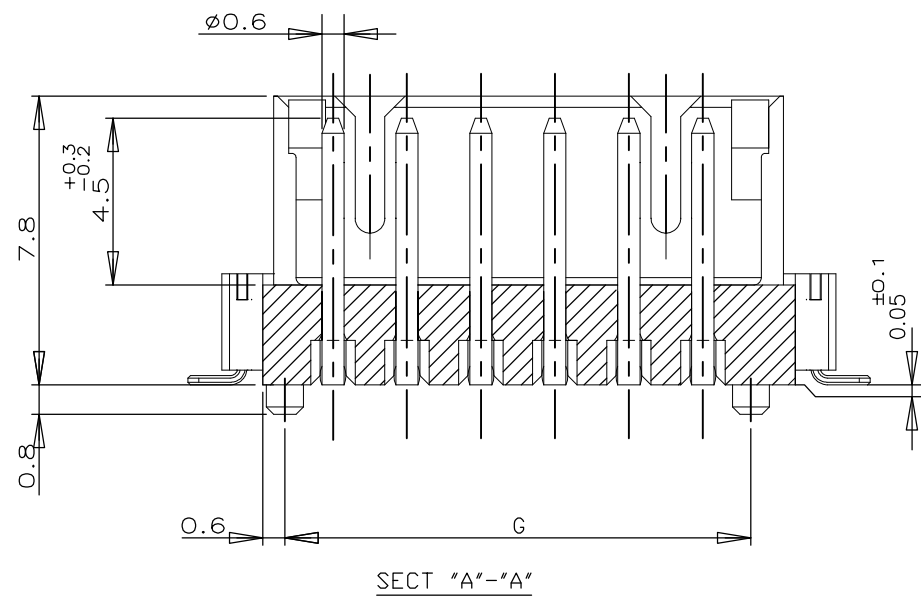
Downloaded From Oneyac.com

THIS DRAWING IS UNPUBLISHED. RELEASED FOR PUBLICATION
 © COPYRIGHT - By - ALL RIGHTS RESERVED.

LOC	DIST	REVISIONS			
P	LTR	DESCRIPTION	DATE	DWN	APVD
ES	00	SEE SHEET 1	-	-	-



- NOTES;
- MATERIAL:HSG:6T PA(G.F.30%)(UL94V-0)
 COLOR:BLACK OR NATURAL
 POST:TIN BRASS
 TAIL:TIN BRASS
 - OCCUPANT AREA ON PC BOARD
 - PRODUCT SPEC :108-60016
 - △ TO BE MEASURED WITH CONNECTOR PLACED ON HORIZONTAL DATUM SURFACE,FLOAT OF SOLDER TINE AND TAIL FROM DATUM SURFACE IS 0.1mm MAX



RECOMENOD P.C.BOARD LAYOUT
 (P.C.B THK:0.8mm MIN)

12.6	10.0	13.8	6	292174-6
G	F	E	Pos.	NATURAL P/N

TOLERANCES UNLESS OTHERWISE SPECIFIED:

10>*	: ±0.2
30>*>10	: ±0.25
100>*>30	: ±0.3
ANGEL	: ±3°

THIS DRAWING IS A CONTROLLED DOCUMENT.

DWN JACK HOU 17SEP10	 TE Connectivity SMT TYPE POST HDR ASS'Y(V) WITH BOSS &WITH TAIL TYPE TE CT CONN. 2 mm PITCH			
CHK MARTIN LI 17SEP10				
APVD STEVEN YAO 17SEP10				
PRODUCT SPEC SEE NOTE				
APPLICATION SPEC	NAME			
WEIGHT	SIZE	CAGE CODE	DRAWING NO	RESTRICTED TO
SEE NOTE	A3	00779	C-292174	
MATERIAL SEE NOTE	FINISH	SCALE	SHEET	REV
		5:1	3 of 3	C1

CUSTOMER DRAWING

单击下面可查看定价，库存，交付和生命周期等信息

[>>TE Connectivity\(泰科\)](#)