

THIS DRAWING IS UNPUBLISHED. RELEASED FOR PUBLICATION 2004
 © COPYRIGHT 2004 BY - ALL RIGHTS RESERVED.

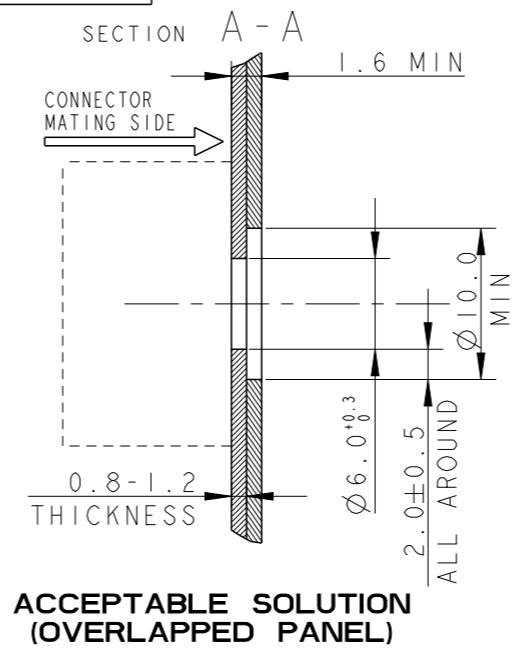
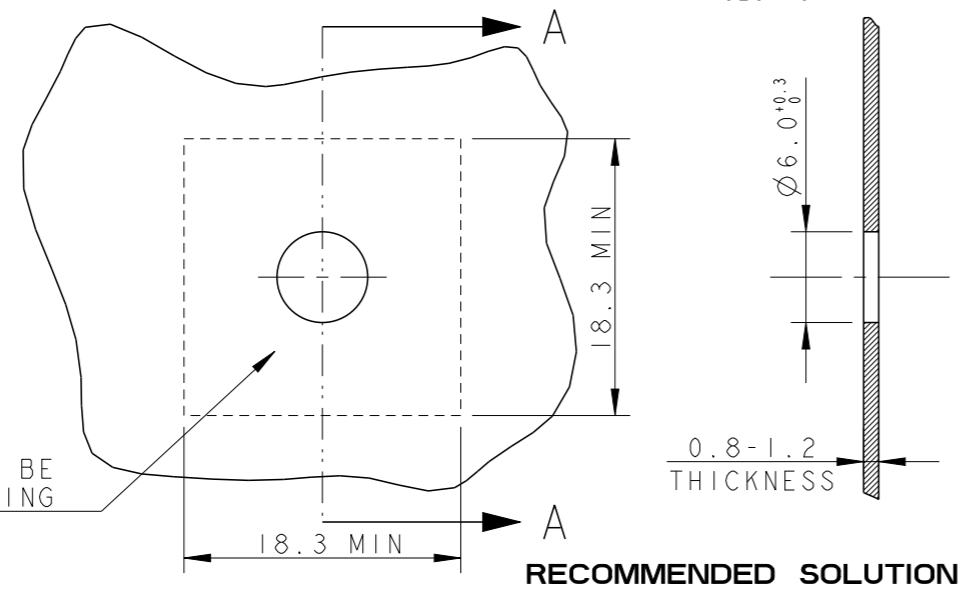
REVISIONS

| P | LTR | DESCRIPTION | DATE | DWN | APVD |
|---|-----|---------------|-----------|-----|------|
| | AI | ECR-15-017072 | 23NOV2015 | SS | RR |

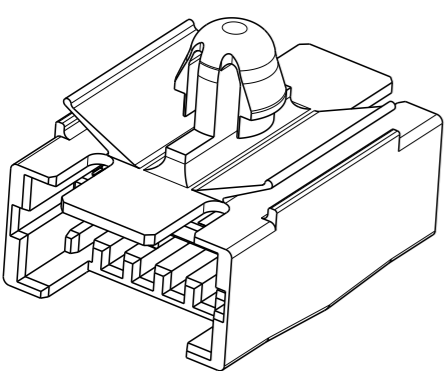
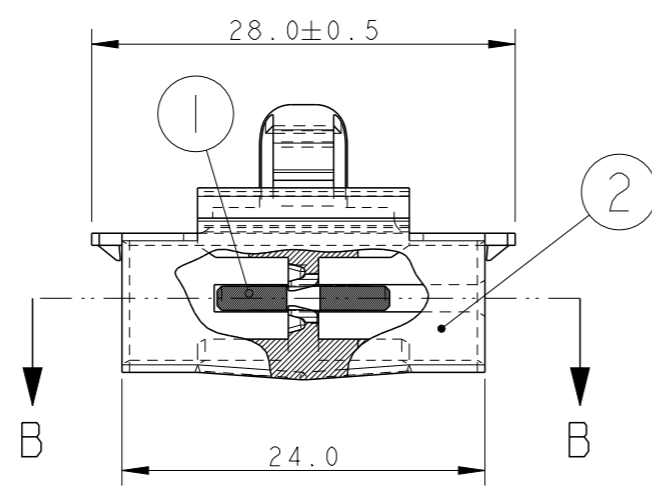
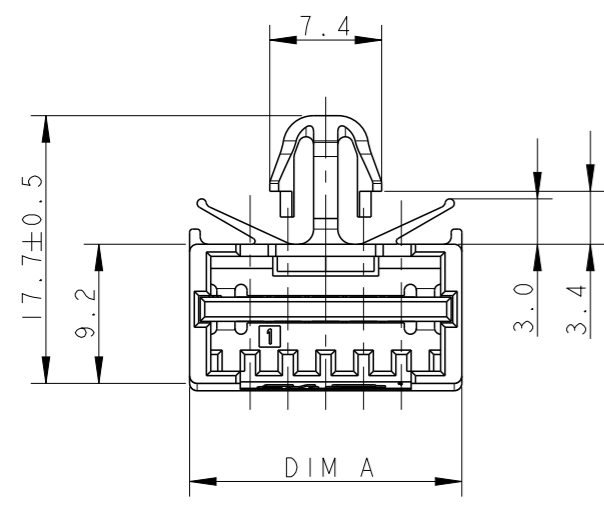
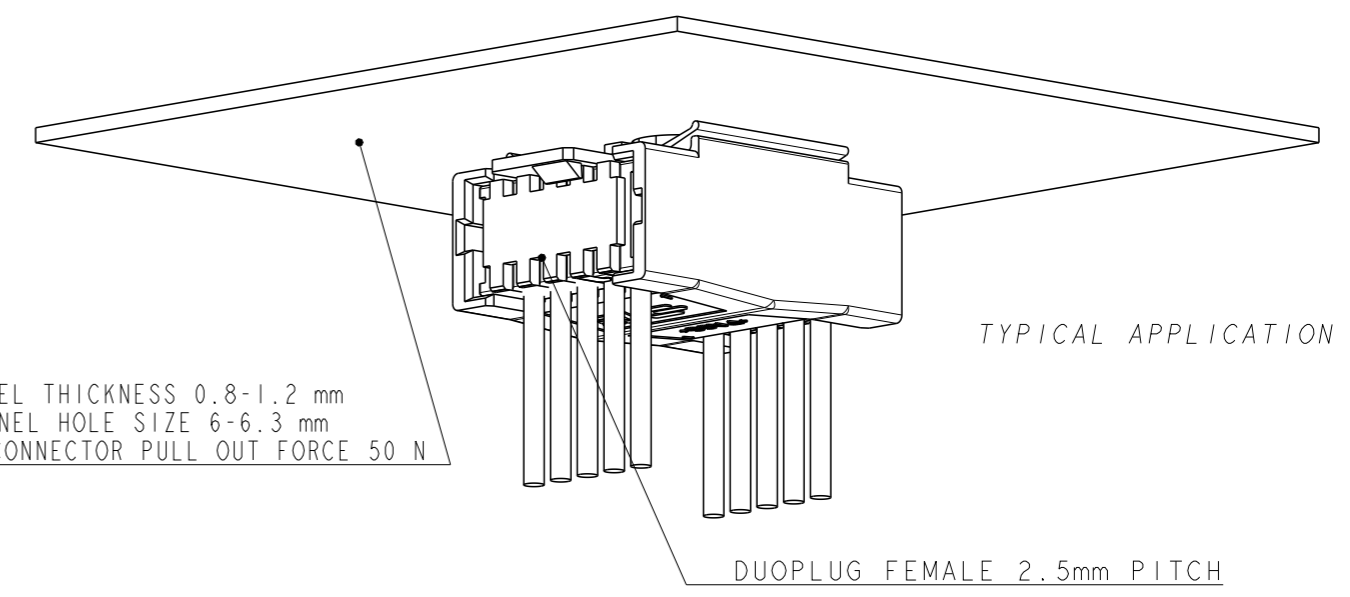
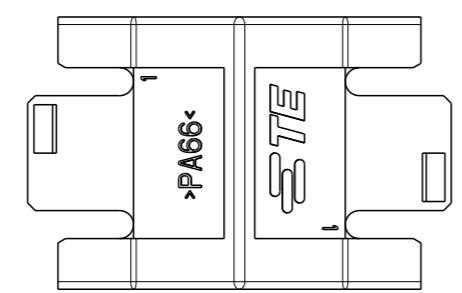
PANEL CUTOUT
 (HOLE DIMENSION)
 SCALE 2:1

NO BURRS ACCEPTED
 AROUND THE EDGES
 OF THE HOLES

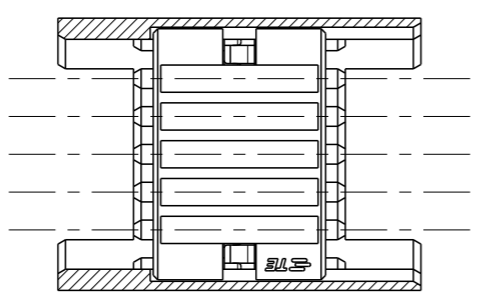
FLAT AREA TO BE
 FREE FOR THE LOCKING



- 1 MATERIAL: POLYAMMIDE ACCORDING TO REQUIREMENT OF NORM IEC 60335-1 (GLOW WIRE TEST 750°C NO FLAME)
- 2 3 POS. - 4 POS. - 5 POS. STANDARD DUOPLUG FEMALE CONNECTOR 2.5mm PITCH. THE 3 POS. DUOPLUG MUST MATE WAY N° 2-3-4 OF THE MALE CONNECTOR (CENTERED).
- 3 PRELIMINARY PART. NOT YET RELEASED FOR PRODUCTION.



293036-1 AS SHOWN



| | | | | | | |
|-------|-------------|----------------------------|-------------|-----------|-------------|---|
| 25.50 | 8 | | EPOXY RESIN | 1 | 8-293036-1 | 3 |
| 23.00 | 7 | | EPOXY RESIN | 1 | 7-293036-1 | 3 |
| 18.00 | 5 | 2 | EPOXY RESIN | 1 | 293036-1 | |
| DIM A | NO OF POSN. | DUOPLUG FEMALE MATING PART | 1 P.C.B. | 2 HOUSING | PART NUMBER | |
| | | | MATERIAL | | | |

| | | | |
|----------------------------------------|--------|------------------|------------|
| THIS DRAWING IS A CONTROLLED DOCUMENT. | | DWN | IIMAY2004 |
| DIMENSIONS: mm | | CHK | IIMAY2004 |
| TOLERANCES UNLESS OTHERWISE SPECIFIED: | | APVD | IIMAY2004 |
| 0 PLC | ±0.5 | PRODUCT SPEC | - |
| 1 PLC | ±0.3 | APPLICATION SPEC | - |
| 2 PLC | ± | WEIGHT | 2.74g REF. |
| 3 PLC | ± | Customer Drawing | |
| 4 PLC | ± | SCALE | 2:1 |
| ANGLES | ±1° | SHEET | 1 OF 1 |
| MATERIAL | FINISH | RESTRICTED TO | - |
| SEE TABLE | - | REV | AI |

STE TE Connectivity

NAME: MALE CONNECTOR ASS'Y FOR DUOPLUG 2.5.

SIZE: A3 CAGE CODE: - DRAWING NO: C-293036

单击下面可查看定价，库存，交付和生命周期等信息

[>>TE Connectivity\(泰科\)](#)