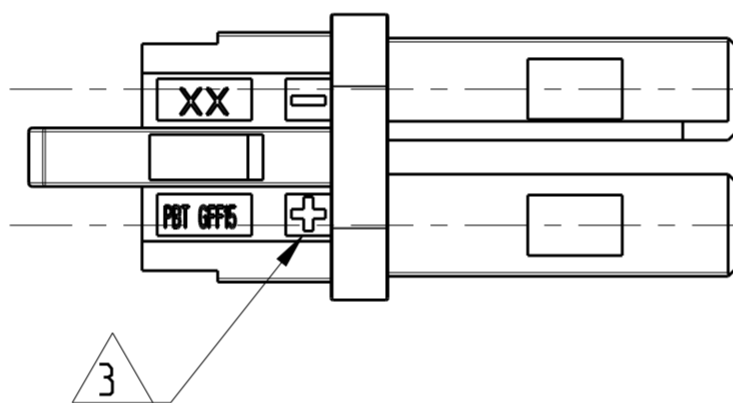
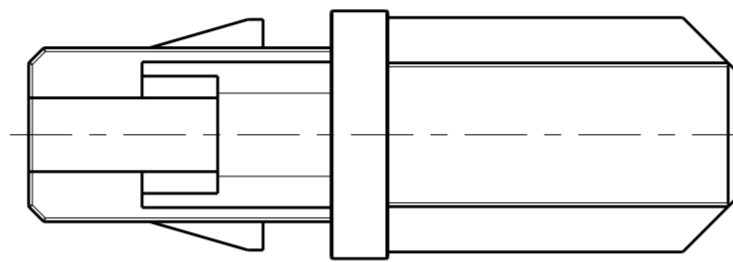
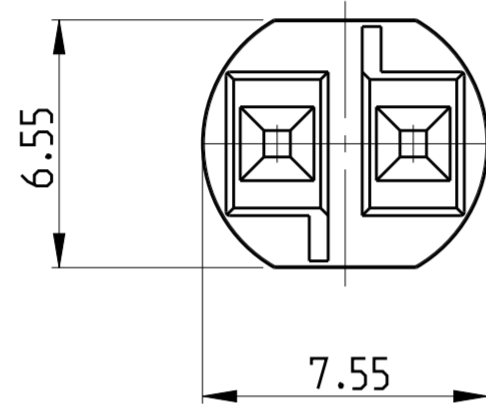
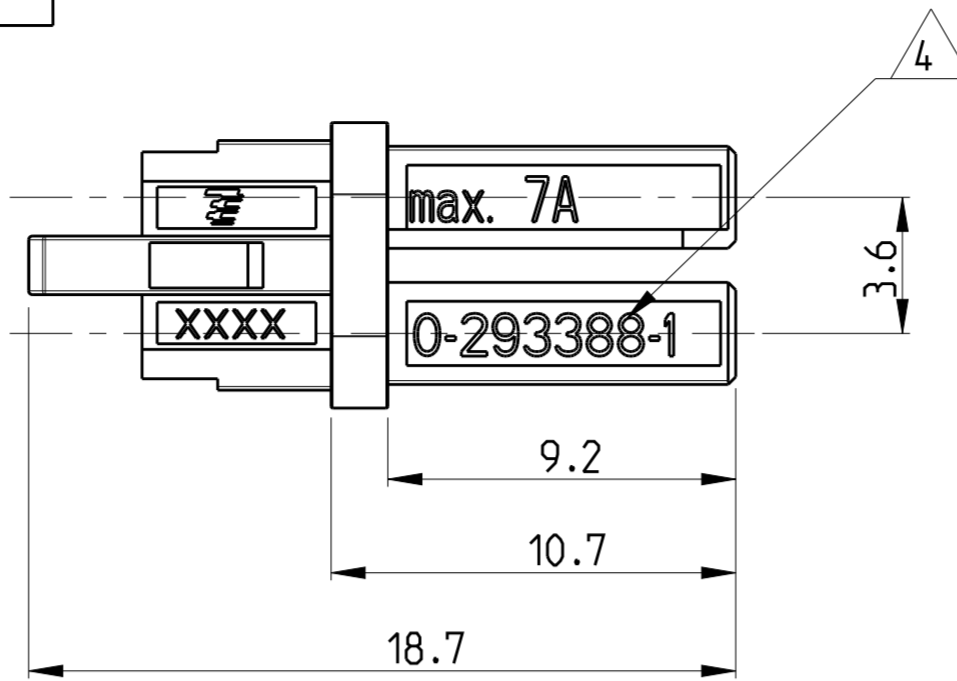


THIS DRAWING IS UNPUBLISHED. RELEASED FOR PUBLICATION 2005
 © COPYRIGHT 2005 BY - ALL RIGHTS RESERVED.

REVISIONS					
P	LTR	DESCRIPTION	DATE	DWN	APVD
A2		ADDED NEW P/N	30NOV2009	AV	GT
B		RELEASED FOR PRODUCTION	13MAY2011	AV	GT
F		REVISED PER ECR-16-005692	02JUN2016	RS	JL
G		REVISED PER ECR-16-017348	24FEB2017	RK	JL

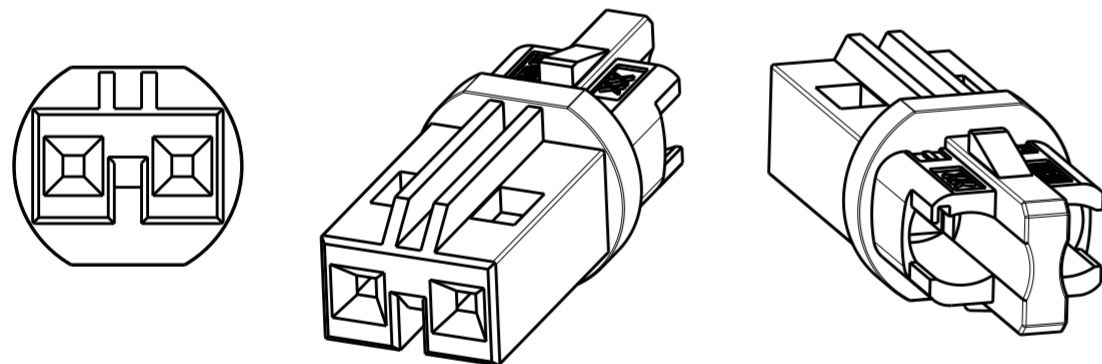


Remarks:

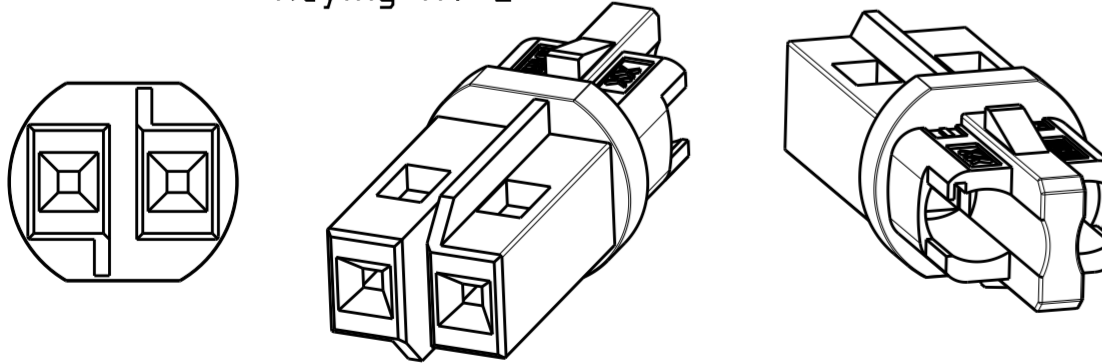
- 1. cavities designed for MQS socket contact PN 1740336-x
- 2. Counterpart is Outlet PN 293387-x
- 3. Polarity marking +/- permanent / usable for DC version
- 4. PN specific marking
- 5. P/N 293388-1 POLARIZATION HV-2 HAS TO BE USED FOR SWITCH APPLICATION ONLY
- 6. PBT, 15%GF, UL94 V0 WHITE COLUR

P/N 293388-1 AS SHOWN

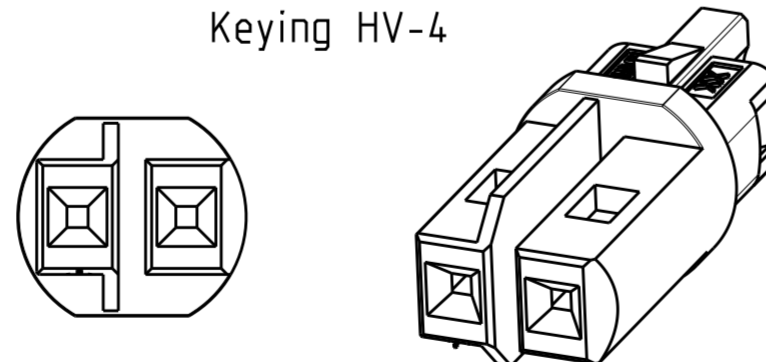
Keying LV-2



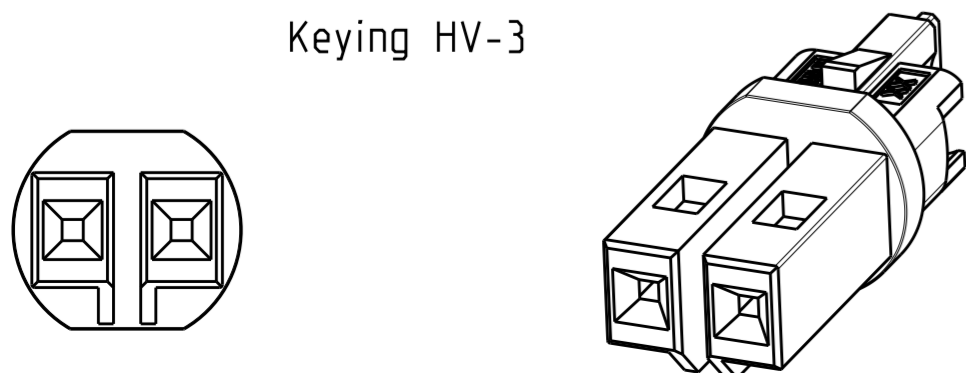
Keying HV-2



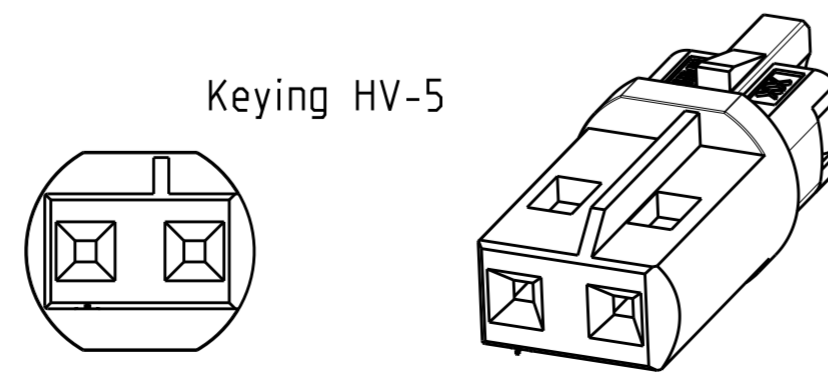
Keying HV-4



Keying HV-3



Keying HV-5



	LV-2	WHITE	6	LOW-VOLTAGE 125VAC/VDC	7A 125VAC/VDC =	293388-5
	HV-5	WHITE	6	HIGH-VOLTAGE 125V AC	6A/125V AC~	293388-4
	HV-4	WHITE	6	HIGH-VOLTAGE 125V AC	6A/125V AC~	293388-3
	HV-3	WHITE	6	HIGH-VOLTAGE 125V AC	6A/125V AC~	293388-2
5	HV-2	WHITE	6	HIGH-VOLTAGE 125V AC	6A/125V AC~	293388-1
Note	Keying	COLOR/MATERIAL	REMARKS	Marking 4		PN

THIS DRAWING IS A CONTROLLED DOCUMENT.

DIMENSIONS: mm	TOLERANCES UNLESS OTHERWISE SPECIFIED:	DWN A. Vecchia 11FEB2009	 TE Connectivity
		CHK G. Turco 11FEB2009	
		APVD G. Turco 11FEB2009	
MATERIAL	FINISH	PRODUCT SPEC	NAME NECTOR S CONNECTOR SYSTEM PLUG
		APPLICATION SPEC	SIZE A2 CAGE CODE 00779 DRAWING NO G-293388 RESTRICTED TO -
		WEIGHT 0.4 g	SCALE 4:1 SHEET 1 OF 1 REV G
		CUSTOMER DRAWING	

单击下面可查看定价，库存，交付和生命周期等信息

[>>TE Connectivity\(泰科\)](#)