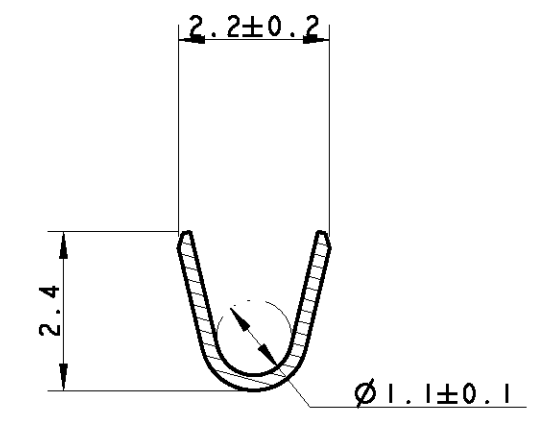
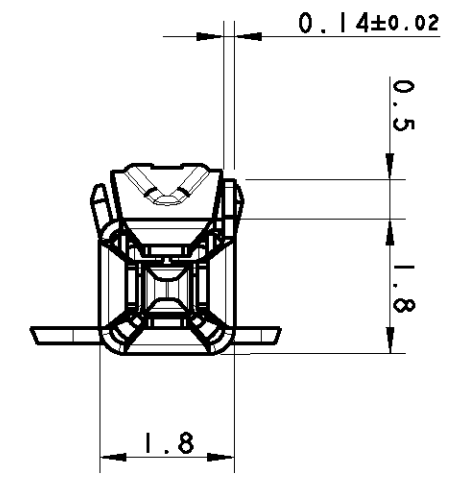
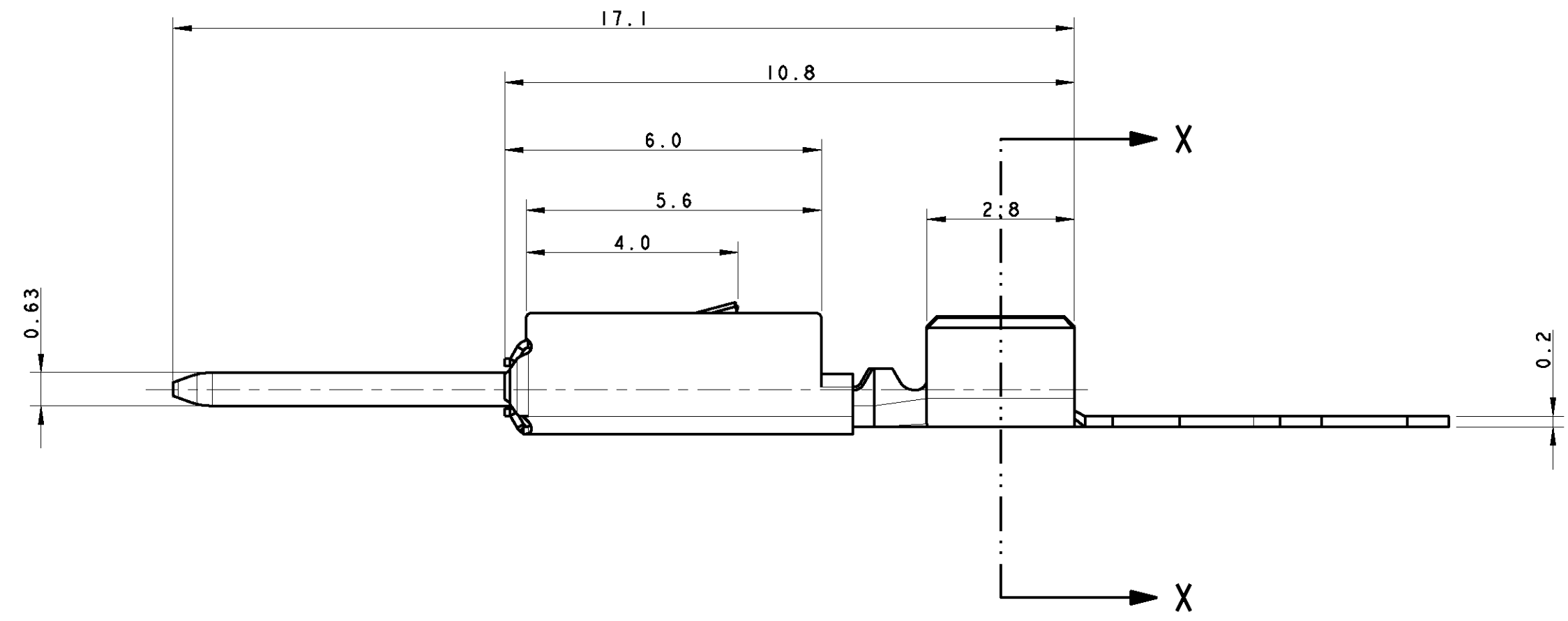
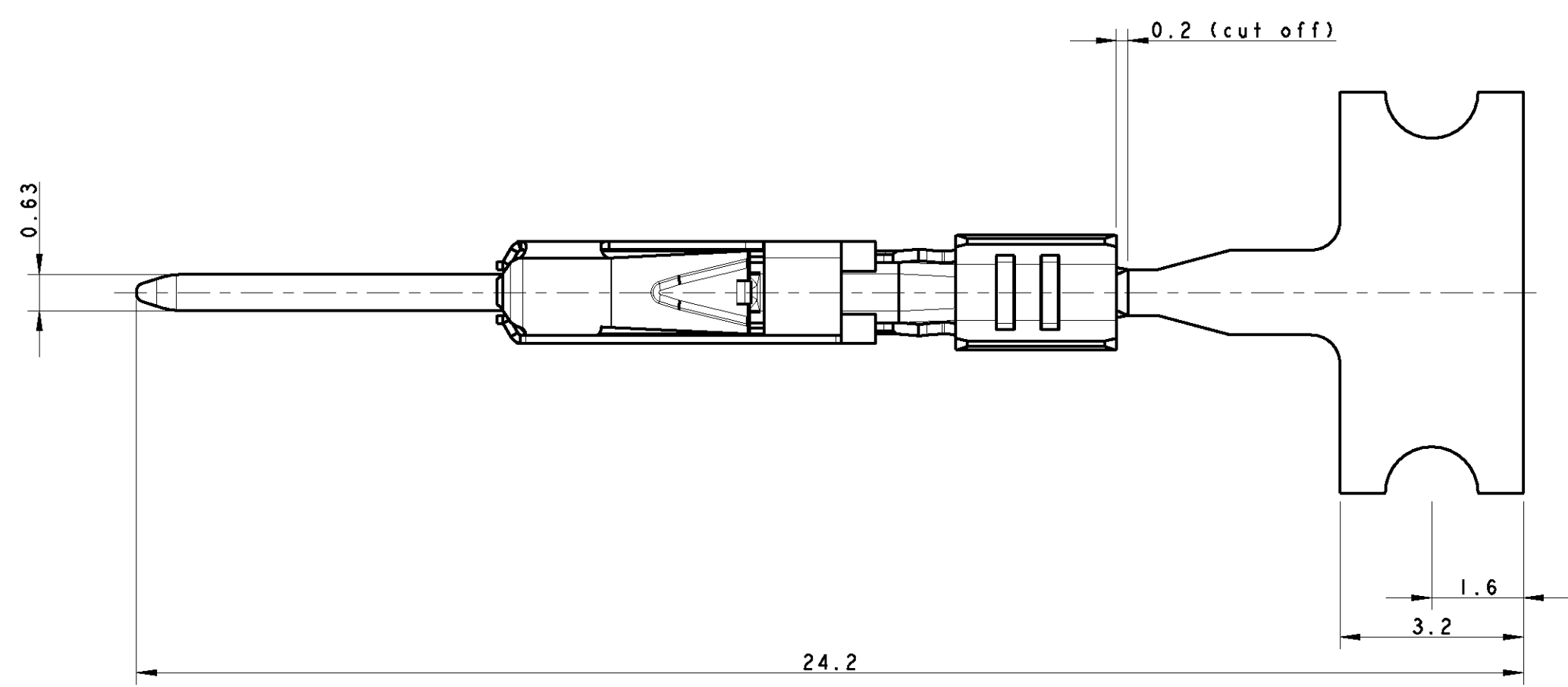


THIS DRAWING IS UNPUBLISHED. RELEASED FOR PUBLICATION 2009  
 © COPYRIGHT 2009 BY TYCO ELECTRONICS CORPORATION. ALL INTERNATIONAL RIGHTS RESERVED.

| LOC |     | DIST        |           | REVISIONS |      |  |  |
|-----|-----|-------------|-----------|-----------|------|--|--|
| P   | LTR | DESCRIPTION | DATE      | DWN       | APVD |  |  |
|     | A   | FIRST ISSUE | 12FEB2009 | AV        | GT   |  |  |

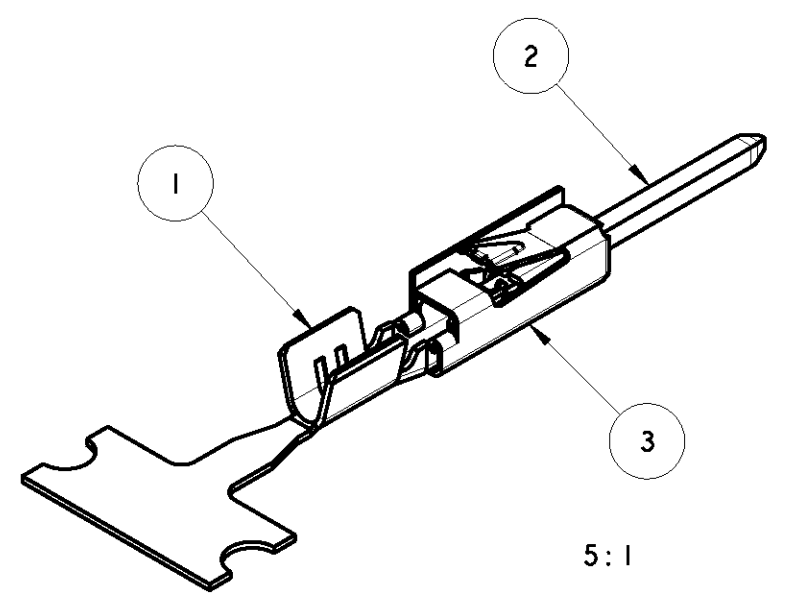


SECTION X-X



- NOTES:
- SUITABLE FOR SOCKET CONTACT 293390
  - CONTACT ACCEPTS WIRE SIZE 18 AWG
  - SEMI-AUTOMATIC TOOL AND HAND TOOL (EACH FOR 2 CRIMPS IN ONE CYCLE) TO BE DEVELOPED
  - STRIPPED CABLE LENGTH FOR CRIMP IS 3.5mm
  - WEIGHT ABOUT 0.12g
  - DIE FEED 7.0mm
  - REELED ON PAPER-REEL

PRELIMINARY PART- NOT RELEASED FOR PRODUCTION



|  |               |          |     |             |  |             |  |   |
|--|---------------|----------|-----|-------------|--|-------------|--|---|
| 8  | NOT AVAILABLE | 293389-1 | A   | WITH SPRING | 3  | SPRING      | M  | steel   |
|  |               |          |     |             | 2  | PIN         | A  | CuNi3Si, (PRE TIN)                              |
|  |               |          |     |             | 1  | BODY        | A  | CuNiSi AMP SPEC.100-1230 OR 100-1086 TIN PLATED |
| DIRECTION OFF TOP OF REEL  | LOOSE PIECE   | PART NO  | REV | DESCRIPTION | POS  | DESCRIPTION | REV  | MATERIAL  |
| THIS DRAWING IS A CONTROLLED DOCUMENT FOR TYCO ELECTRONICS CORPORATION IT IS SUBJECT TO CHANGE AND THE CONTROLLING ENGINEERING ORGANIZATION SHOULD BE CONTACTED FOR THE LATEST REVISION<br>DIMENSIONS: mm<br>TOLERANCES UNLESS OTHERWISE SPECIFIED:<br>0 PLC ±<br>1 PLC ±0.2<br>2 PLC ±0.15<br>3 PLC ±<br>4 PLC ±<br>ANGLES ±°<br>FINISH<br>MATERIAL SEE TABLE |               |          |     |             | DWN 12FEB2009<br>CHK A. Vecchia<br>G. Turco 12FEB2009<br>APVD G. Turco 12FEB2009<br>PRODUCT SPEC<br>APPLICATION SPEC<br>WEIGHT 0.12g |             | Tyco Electronics<br>Tyco Electronics AMP Italia S.r.l.<br>10093 Collegno TO<br>MICRO QUADLOK SYSTEM<br>PIN CONTACT |   |
| DIRECTION OFF TOP OF REEL<br>Fertigungs-zustand<br>107-3(Fig.1)  |               |          |     |             | SIZE A2<br>CAGE CODE 200779<br>DRAWING NO C-293389<br>SCALE 10:1<br>SHEET 1 OF 1<br>REV A  |             | RESTRICTED TO<br>CUSTOMER DRAWING  |   |

单击下面可查看定价，库存，交付和生命周期等信息

[>>TE Connectivity\(泰科\)](#)