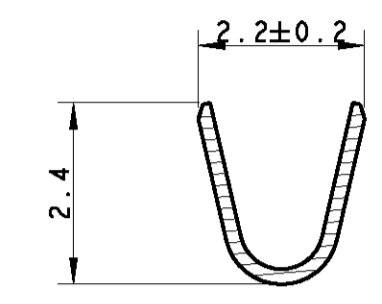
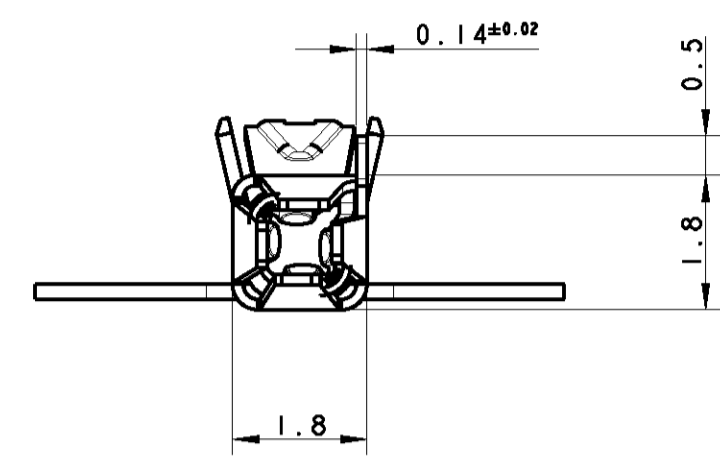
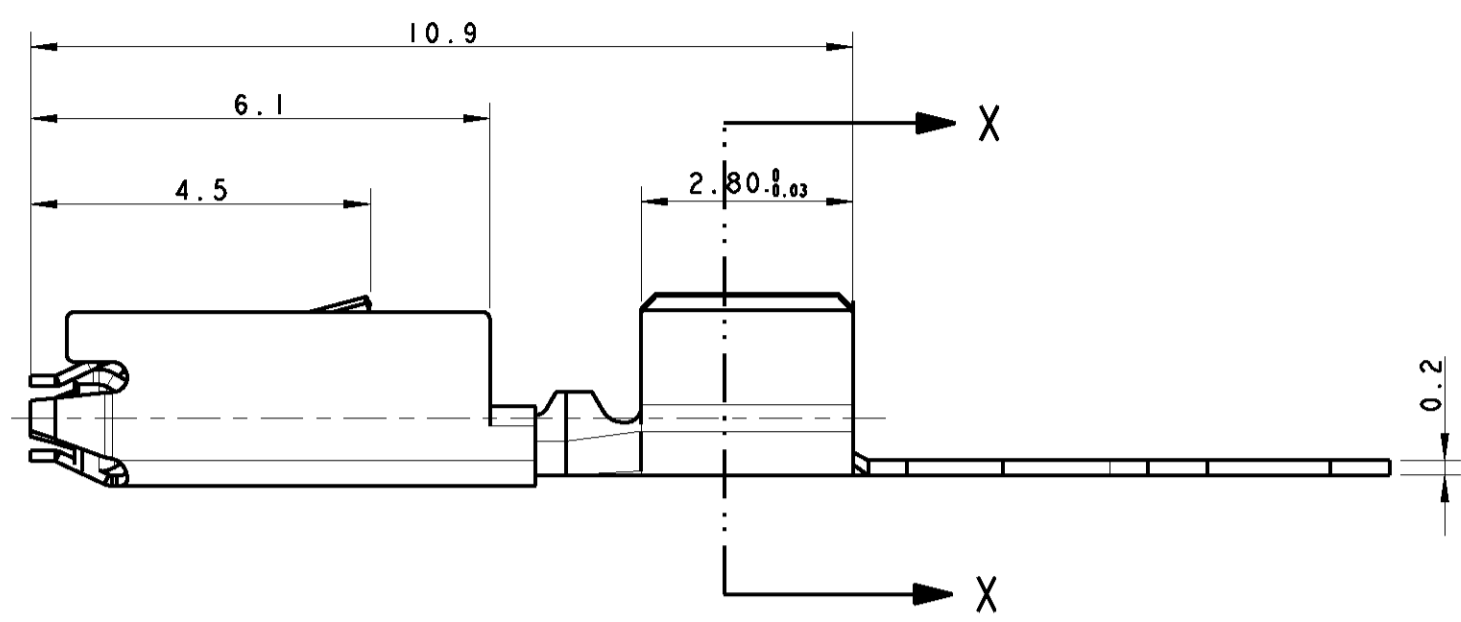
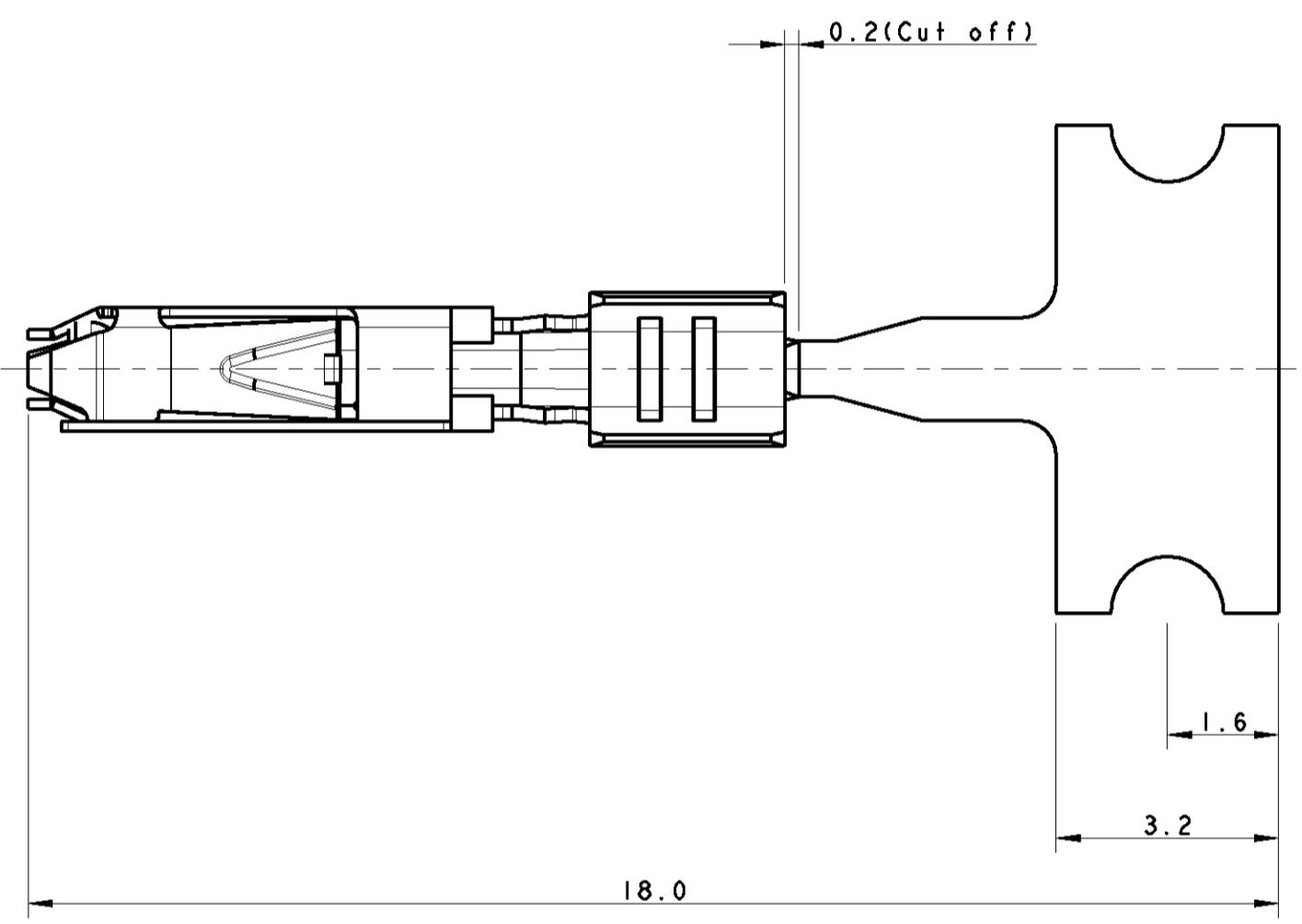


THIS DRAWING IS UNPUBLISHED. RELEASED FOR PUBLICATION 2009
 © COPYRIGHT 2009 BY TYCO ELECTRONICS CORPORATION. ALL INTERNATIONAL RIGHTS RESERVED.

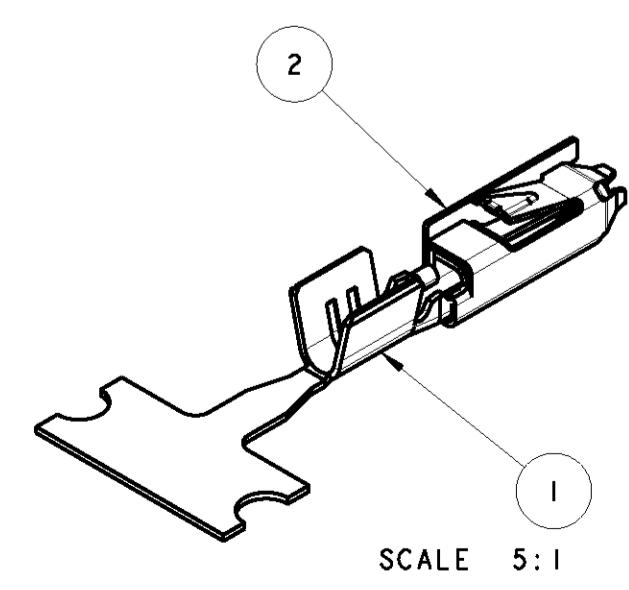
| LOC | DIST | REVISIONS | | | |
|-----|------|-----------------------|-----------|-----|------|
| P | LTR | DESCRIPTION | DATE | DWN | APVD |
| A | | FIRST ISSUE | 12FEB2009 | AV | GT |
| C | | UPDATED PART REVISION | 24FEB2011 | AV | GT |



SECTION X - X



- NOTES:
- SUITABLE FOR SOCKET CONTACT 293389
 - CONTACT ACCEPTS WIRE SIZE 18 AWG
 - SEMI-AUTOMATIC TOOL AND HAND TOOL (EACH FOR 2 CRIMPS IN ONE CYCLE) TO BE DEVELOPED
 - STRIPPED CABLE LENGTH FOR CRIMP IS 3.5mm
 - WEIGHT ABOUT 0.12g
 - DIE FEED 7.0mm
 - REELED ON PAPER-REEL



DIRECTION OFF TOP OF REE
 Fertig-
 zustand

 107-3(Fig.1)

| | | | | | | | | |
|---|---------------|-----------------------------------|-----------|---|-------------|-----|--|------------|
| 8 | NOT AVAILABLE | 293390-1 | C | 2 | SPRING | A | STEEL | |
| | | | | 1 | BODY | B | CuNiSi AMP-Spec. 100-1230 or 112-18011 | TIN PLATED |
| DIRECTION OFF TOP OF REEL | LOOSE PIECE | PART NO | REV | POS | DESCRIPTION | REV | MATERIAL | FINISH |
| THIS DRAWING IS A CONTROLLED DOCUMENT FOR TYCO ELECTRONICS CORPORATION. IT IS SUBJECT TO CHANGE AND THE CONTROLLING ENGINEERING ORGANIZATION SHOULD BE CONTACTED FOR THE LATEST REVISION. | | DWN | 12FEB2009 | Tyco Electronics AMP Italia S.r.l. 10093 Collegno TO | | | | |
| DIMENSIONS: mm | | CHK | 12FEB2009 | NAME: MICRO QUADLOK SYSTEM SOCKET CONTACT | | | | |
| TOLERANCES UNLESS OTHERWISE SPECIFIED: | | APVD | 12FEB2009 | PRODUCT SPEC: 108-20294 | | | | |
| 0 PLC ± | | APPLICATION SPEC: 114-20140 | | | | | | |
| 1 PLC ±0.2 | | WEIGHT: 0.12g | | | | | | |
| 2 PLC ±0.15 | | SIZE: A200779 CAGE CODE: G-293390 | | | | | | |
| 3 PLC ± | | SCALE: 10:1 SHEET 1 OF 1 REV C | | | | | | |
| 4 PLC ± | | CUSTOMER DRAWING | | | | | | |
| ANGLES ±° | | | | | | | | |
| FINISH | | | | | | | | |

单击下面可查看定价，库存，交付和生命周期等信息

[>>TE Connectivity\(泰科\)](#)